

# CCV55304-08

## Replacement Filter for CCV3500 Series Closed Crankcase Ventilation System

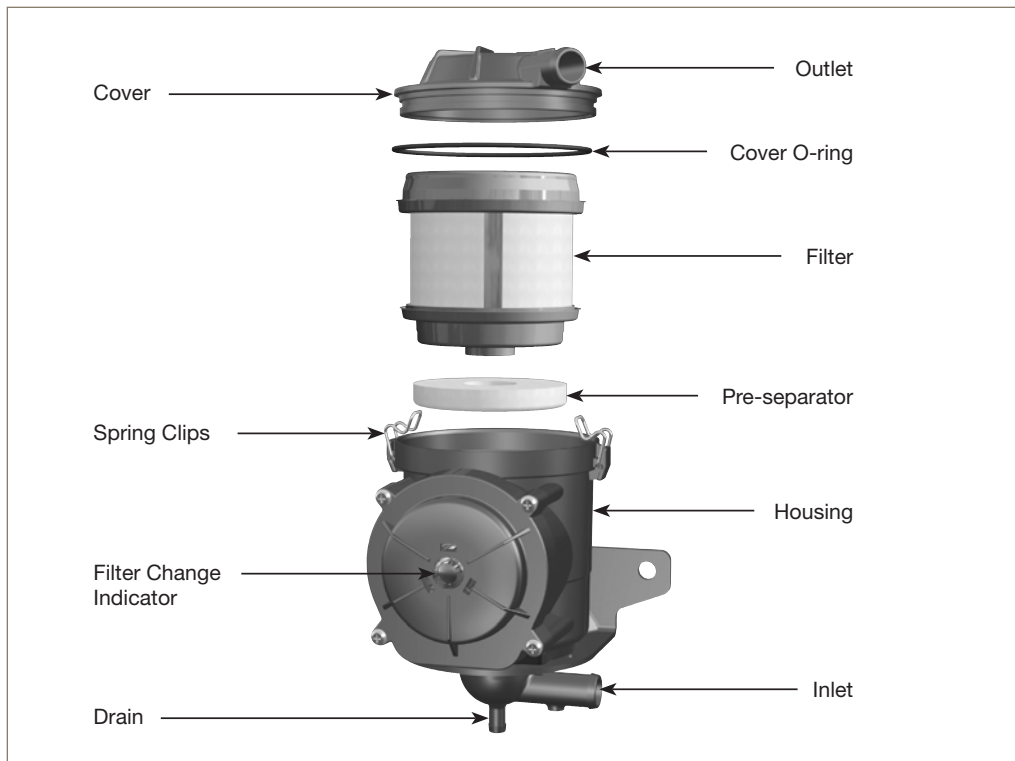
Instruction Part Number 55441 Rev B



The Racor CCV3500 system eliminates crankcase emissions and provides a cleaner engine environment by performing the following functions:

- Reduces oil consumption by separating oil from crankcase gasses and returning oil to sump.
- High-efficiency filter prevents fouling of turbocharger and aftercooler.
- Filtered crankcase gas is vented to engine intake system for recombustion instead of polluting environment.
- Keeps engine compartment and components clean.

Replace filter when filter change indicator is fully extended into clear dome while engine is idling.



## Contact Information

Parker Hannifin Corporation  
**Racor Division**  
P.O. Box 3208  
3400 Finch Road  
Modesto, CA 95353

phone 800 344 3286  
209 521 7860  
fax 209 529 3278  
racor@parker.com

www.parker.com/racor  
www.parker.com/racorproducts

1. Shut down engine, allow five minutes for filter to drain before proceeding.
2. Release spring clips, remove cover. Remove outlet hose if necessary.
3. Remove dirty filter and pre-separator from housing, dispose properly.
4. Inspect drain line inside housing. Ensure there are no obstructions.
5. Remove old O-ring from cover.
6. Carefully clean surfaces.
7. Lubricate new O-ring with clean motor oil and install onto cover.
8. Place new pre-separator into housing unit.
9. Place new filter into housing on top of pre-separator with text facing up. Push filter down to seat it in place.
10. Replace cover and secure in place with spring clips. Reattach outlet hose, if removed.
11. Start engine and check for leaks. Correct as necessary with engine turned off.



ENGINEERING YOUR SUCCESS.

# Limited Warranties Statement

All products manufactured or distributed by Racor are subject to the following, and only the following, LIMITED EXPRESS WARRANTIES, and no others: For a period of one (1) year from and after the date of purchase of a new Racor product, Racor warrants and guarantees only to the original purchaser-user that such a product shall be free from defects of materials and workmanship in the manufacturing process. The warranty period for pumps and motors is specifically limited to ninety (90) days from date of purchase. A product claimed to be defective must be returned to the place of purchase. Racor, at its sole option, shall replace the defective product with a comparable new product or repair the defective product. This express warranty shall be inapplicable to any product not properly installed and properly used by the purchaser-user or to any product damaged or impaired by external forces.

THIS IS THE EXTENT OF WARRANTIES AVAILABLE ON THIS PRODUCT. RACOR SHALL HAVE NO LIABILITY WHATSOEVER FOR CONSEQUENTIAL DAMAGES

FLOWING FROM THE USE OF ANY DEFECTIVE PRODUCT OR BY REASON OF THE FAILURE OF ANY PRODUCT. RACOR SPECIFICALLY DISAVOWS ALL OTHER WARRANTIES, EXPRESS OR IMPLIED INCLUDING, WITHOUT LIMITATION, ALL WARRANTIES OF FITNESS FOR A PARTICULAR PURPOSE (EXCEPT FOR THOSE WHICH APPLY TO PRODUCT OR PART THEREOF THAT IS USED OR BOUGHT FOR USE PRIMARILY FOR PERSONAL, FAMILY, OR HOUSEHOLD PURPOSES), WARRANTIES OF DESCRIPTION, WARRANTIES OF MERCHANTABILITY, TRADE USAGE OR WARRANTIES OR TRADE USAGE.

## Warning

Failure or improper selection or improper use of the products and/or systems described herein or related items can cause death, personal injury and property damage. This document and other information from Parker Hannifin Corporation, its subsidiaries and authorized distributors provide product

and/or system options for further investigation by users having technical expertise. It is important that you analyze all aspects of your application and review the information concerning the product or system in the current product catalog. Due to the variety of operating conditions and applications for these products or systems, the user, through its own analysis and testing, is solely responsible for making the final selection of the products and systems and assuring that all performance, safety and warning requirements of the applications are met. The products described herein, including with limitation, product features, specifications, designs, availability and pricing, are subject to change by Parker Hannifin Corporation and its subsidiaries at any time without notice.

The following statement is required pursuant to proposition 65, applicable in the State of California: 'This product may contain a chemical known to the State of California to cause cancer or reproductive toxicity'