

Absolute Series

Bypass Oil Cleaners

Instruction Part Number 14403 Rev -



The Racor Absolute Series bypass oil cleaners were developed to increase the life span of engine oil by reducing the contaminants in the oil resulting in longer full flow filter life and lower maintenance costs. Standard engine oil change intervals are in place based on the capacity (life) of the oil filter and the condition of the engine oil. With the Racor Absolute Series bypass oil cleaner installed the engine oil stays many times cleaner.

Racor Absolute Series bypass oil filters are manufactured from proprietary cellulose pulp for maximum absorption. The design, shape, and tensioning of the tissue guarantees absolute filtration of solid particles and water. The engineered media ensures the safe removal of oxidation by-products.



Contact Information: Product Features:

Parker Hannifin Corporation

Racor Division

P.O. Box 3208

3400 Finch Road

Modesto, CA 95353

phone 800 344 3286

209 521 7860

fax 209 529 3278

racor@parker.com

www.parker.com/racor

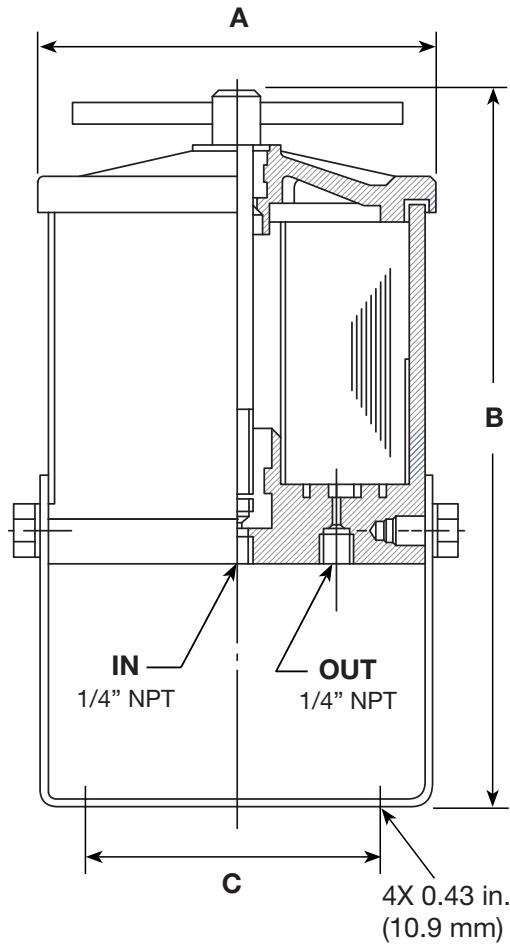
www.parker.com/racorproducts

- Cost Savings
- Improves Production Reliability
- Environmentally Friendly
- Simple Installation
- Reduces Oil Coat
- Increased Fuel Efficiency
- Fewer Engine Overhauls
- Reduces Waste Oil



ENGINEERING YOUR SUCCESS.

Mounting and Dimensions



	ABS10300	ABS10450
A	6.5 in. (165 mm)	8.1 in. (206 mm)
B	12.5 in. (318 mm)	12.6 in. (320 mm)
C	4.72 in. (120 mm)	4.72 in. (120 mm)

Filter Replacement

1. Make sure engine is off and cool to touch. Loosen T-bolt, remove lid and old lid seal.
2. Cover housing with vinyl bag (supplied with new filter). While holding fabric band, pull filter from housing. Dispose properly, according to local regulations.
3. Wipe away sludge and metal particles from inside housing.
4. Install new filter (fabric band face up). Push new filter in hard, making sure filter is seated completely into bottom of housing.
5. Install new lid seal to housing rim.
6. Replace lid, ensuring seal fits into lid groove. Tighten T-bolt firmly.
7. Start engine and check for leaks. Correct as necessary with engine off.



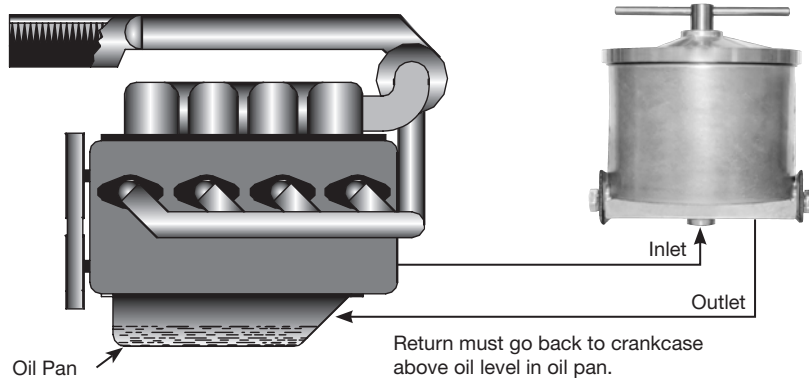
Installation Guidelines

Installation

The inlet port on the filter housing should be fed by the pressure port from the engine oil pump, usually by adding a tee fitting at the pressure switch port or blind plug with pump pressure.

The outlet port feeds directly to the engine block or any plug or cap that is non-pressurized.

Sample port with shut-off valve installed on inlet side of filter will make oil sampling clean, easy, and will give repeatable results.



Trouble Shooting

If Oil Cleaner shows leakage. Take the following measures immediately.

- If oil leaks from center bolt, replace copper gasket on center bolt.
- If oil leaks from lid, tighten center bolt or replace rubber lid seal and re-tighten.
- If oil leaks from hoses, tighten hose fittings as required.

If problems persist, call Racor Technical Support at 800-344-3286, 8 AM to 5 PM, Pacific Time.

Oilcheck™

LFS RK761

OilCheck™ Portable oil monitor measures the effect of all the contaminants and chemicals that occur in synthetic and petroleum based oils. This is achieved by detecting and measuring the oil's dielectric constant.

By comparing the measurements obtained from used and unused oils of the same make and grade, the oil monitor is able to determine the degree of change in the oil's dielectric constant. Dielectric change is directly related to the contamination level and degradation of the oil and may allow the user to achieve longer intervals between oil changes and immediately detect increased mechanical wear and coolant dilution, resulting in the loss of the oil's lubricating properties.



Replacement Parts

ABS44030	Seal Service Kit 50 - For ABS10300
ABS44045	Seal Service Kit 100 - For ABS10450
Replacement Filters (ABS10300)	
ABS20300	3 micron filter
ABS20370	5 micron filter
ABS25350	10 micron filter
Replacement Filters (ABS10450)	
ABS20430	3 micron filter
ABS20470	5 micron filter
ABS25450	10 micron filter

Specifications

	ABS10300	ABS10450
Capacity	30 qts (28 L)	50 qts (47 L)
Working Pressure	< 73 PSI (< 5 bar)	< 73 PSI (< 5 bar)
Weight	10 lbs (4.5 kg)	15 lbs (6.8 kg)



Limited Warranties Statement

All products manufactured or distributed by Racor are subject to the following, and only the following, LIMITED EXPRESS WARRANTIES, and no others: For a period of one (1) year from and after the date of purchase of a new Racor product, Racor warrants and guarantees only to the original purchaser-user that such a product shall be free from defects of materials and workmanship in the manufacturing process. The warranty period for pumps and motors is specifically limited to ninety (90) days from date of purchase. A product claimed to be defective must be returned to the place of purchase. Racor, at its sole option, shall replace the defective product with a comparable new product or repair the defective product. This express warranty shall be inapplicable to any product not properly installed and properly used by the purchaser-user or to any product damaged or impaired by external forces.

THIS IS THE EXTENT OF WARRANTIES AVAILABLE ON THIS PRODUCT. RACOR SHALL HAVE NO LIABILITY WHATSOEVER FOR CONSEQUENTIAL DAMAGES

FLOWING FROM THE USE OF ANY DEFECTIVE PRODUCT OR BY REASON OF THE FAILURE OF ANY PRODUCT. RACOR SPECIFICALLY DISAVOWS ALL OTHER WARRANTIES, EXPRESS OR IMPLIED INCLUDING, WITHOUT LIMITATION, ALL WARRANTIES OF FITNESS FOR A PARTICULAR PURPOSE (EXCEPT FOR THOSE WHICH APPLY TO PRODUCT OR PART THEREOF THAT IS USED OR BOUGHT FOR USE PRIMARILY FOR PERSONAL, FAMILY, OR HOUSEHOLD PURPOSES), WARRANTIES OF DESCRIPTION, WARRANTIES OF MERCHANTABILITY, TRADE USAGE OR WARRANTIES OR TRADE USAGE.

Warning

Failure or improper selection or improper use of the products and/or systems described herein or related items can cause death, personal injury and property damage. This document and other information from Parker Hannifin Corporation, its subsidiaries and authorized distributors provide product

and/or system options for further investigation by users having technical expertise. It is important that you analyze all aspects of your application and review the information concerning the product or system in the current product catalog. Due to the variety of operating conditions and applications for these products or systems, the user, through its own analysis and testing, is solely responsible for making the final selection of the products and systems and assuring that all performance, safety and warning requirements of the applications are met. The products described herein, including with limitation, product features, specifications, designs, availability and pricing, are subject to change by Parker Hannifin Corporation and its subsidiaries at any time without notice.

The following statement is required pursuant to proposition 65, applicable in the State of California: 'This product may contain a chemical known to the State of California to cause cancer or reproductive toxicity'