

RK20075-01

Complete Seal Service Kit For All 200 Series Filters

Instruction Part Number 12935 Rev A



This is a complete seal service kit for all 200 Series Fuel Filter/Water Separators.

Please have these customer supplied items on hand before starting installation:

- Straight slot screwdriver
- Sharp knife
- Shop towels
- Clean motor oil or diesel fuel
- 1/2" standard socket
- Clean solvent for washing parts

Note: keep installation away from open flame.

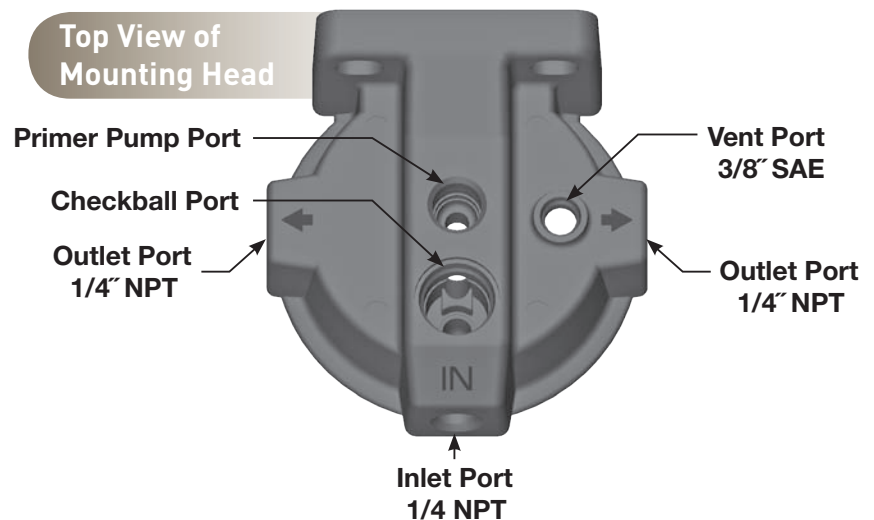


Contact Information

Parker Hannifin Corporation
Racor Division
P.O. Box 3208
3400 Finch Road
Modesto, CA 95353

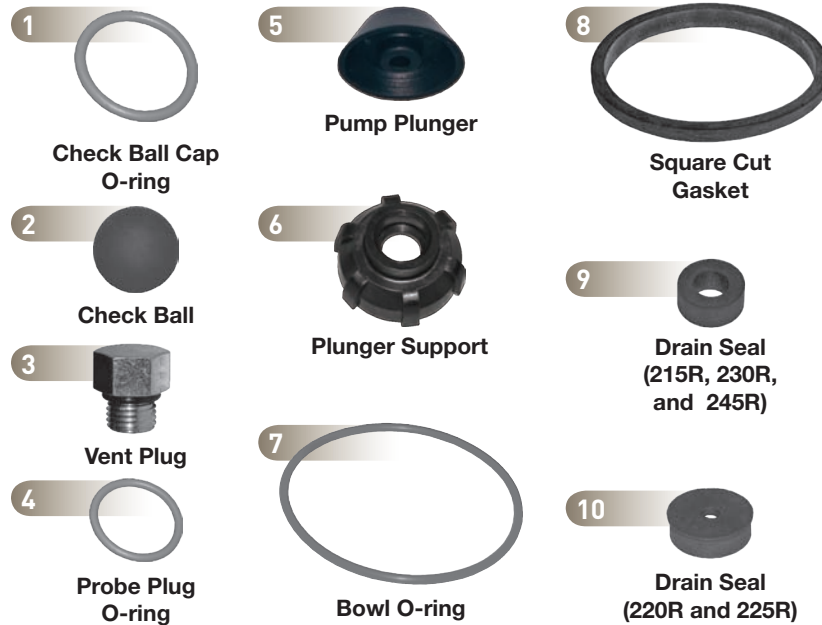
phone 800 344 3286
209 521 7860
fax 209 529 3278
racor@parker.com

www.racorcustomers.com
www.parker.com/racor



ENGINEERING YOUR SUCCESS.

Complete Kit Includes



1	Check Ball Cap O-ring (all models)
2	Check Ball (all models)
3	Vent Plug (all models)
4	Probe Plug O-ring (all models)
5	Pump Plunger (all models)
6	Plunger Support (all models)
7	Bowl O-ring (all models)
8	Square Cut Gasket (all models)
9	Drain Seal (215R, 230R, and 245R)
10	Drain Seal (220R and 225R)

To Install The Vent Plug

1. Lubricate new vent plug o-ring with clean motor oil or diesel fuel.
2. Thread into vent port tighten snugly.



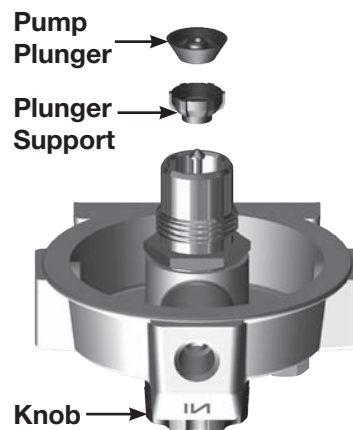
4. Remove existing pump plunger and plunger support ring. (see image below).

Note: Be careful not to nick or damage other component surfaces.

5. Remove existing pump knob and shaft.
6. Using a straight slot screwdriver, remove existing checkball cap from port.
7. Remove existing checkball and dispose properly.
6. Clean entire head and primer pump area free of dirt and debris. Ideally, the head should be cleaned in a solvent bath and dried.

3. Turn head over then drop plunger support onto primer knob shaft with cup facing upward.

4. Apply a coating of clean oil or diesel fuel to pump plunger.
5. Press pump plunger onto primer knob shaft with cup facing upwards until it snaps into place behind pump knob shaft retaining edge as shown.
6. Remount head, if applicable.



Disassemble Primer Pump

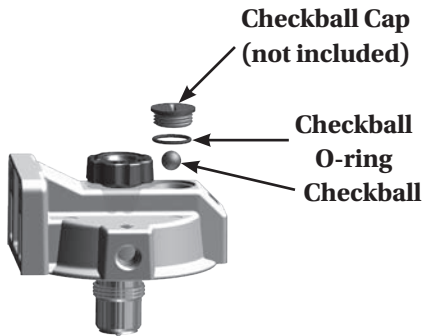
1. Drain filter assembly.
2. Remove spin-on filter and bowl from mounting head, discard old bowl and filter gaskets dispose properly.
3. If possible, un-mount head for ease of service.

Re-assemble Primer Pump

1. Guide primer knob shaft into pump port.
2. Tighten primer knob snugly (hand tight only -do not use tools).

Assemble Checkball and Checkball Cap

1. Drop new check ball into checkball port where shown.
2. Remove checkball cap o-ring and dispose properly.
2. Lubricate new check ball cap o-ring with clean motor oil or diesel fuel and slide over checkball cap threads.
3. Thread check ball cap into same port as check-ball using a straight slot screwdriver tighten snugly.
4. Wipe excess lubrication from mounting head.



Installing The Square Cut Gasket

1. Lubricate new square cut gasket with clean motor oil or diesel fuel and place into gasket groove on new filter.
2. Spin filter onto head and tighten snugly by hand only - do not use tools.



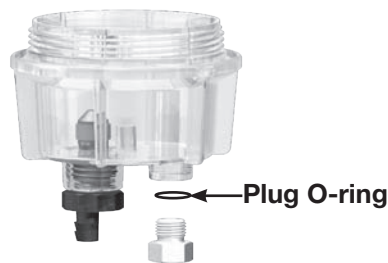
Installing Bowl O-ring

1. Lubricate new bowl o-ring with clean motor oil or diesel fuel and slide over threads place into o-ring groove on bowl.
2. Thread onto bottom of filter and tighten snugly by hand only - do not use tools.



Installing Plug O-ring

1. Lubricate new probe plug o-ring with clean motor oil or diesel fuel and slide over threads until it bottoms on plug.
2. Thread into probe port on bowl and tighten snugly.

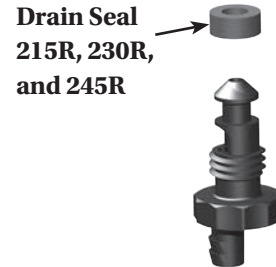


Assemble 215R, 230R, and 245R Drain Seal

1. Remove old drain seal by carefully cutting through seal without scarring drain knob surface.

2. Install new seal by pushing it until seated into place. (Note: this kit includes a new seal).

Prime filter assembly using the priming instructions below.



Assemble 220R and 225R Drain Seal

The seal seats onto the knob so it easily pops right off and on. (Note: this kit includes a new seal).

Prime filter assembly using the priming instructions below.



Priming Instructions

1. Remove vent plug.
2. Unthread priming pump knob on top of mounting head.
3. Slowly pull priming pump knob up and then push it down in a smooth motion.
4. Continue pumping until fuel starts to spill out of vent plug port.
5. Thread priming pump knob back into mounting head.
6. Install vent plug snugly.
7. Wipe up any spilled fuel.
8. Start engine, check for leaks and correct as necessary with engine off.

Limited Warranties Statement

All products manufactured or distributed by Racor are subject to the following, and only the following, LIMITED EXPRESS WARRANTIES, and no others: For a period of one (1) year from and after the date of purchase of a new Racor product, Racor warrants and guarantees only to the original purchaser-user that such a product shall be free from defects of materials and workmanship in the manufacturing process. The warranty period for pumps and motors is specifically limited to ninety (90) days from date of purchase. A product claimed to be defective must be returned to the place of purchase. Racor, at its sole option, shall replace the defective product with a comparable new product or repair the defective product. This express warranty shall be inapplicable to any product not properly installed and properly used by the purchaser-user or to any product damaged or impaired by external forces.

THIS IS THE EXTENT OF WARRANTIES AVAILABLE ON THIS PRODUCT. RACOR SHALL HAVE NO LIABILITY WHATSOEVER FOR CONSEQUENTIAL DAMAGES

FLOWING FROM THE USE OF ANY DEFECTIVE PRODUCT OR BY REASON OF THE FAILURE OF ANY PRODUCT. RACOR SPECIFICALLY DISAVOWS ALL OTHER WARRANTIES, EXPRESS OR IMPLIED INCLUDING, WITHOUT LIMITATION, ALL WARRANTIES OF FITNESS FOR A PARTICULAR PURPOSE (EXCEPT FOR THOSE WHICH APPLY TO PRODUCT OR PART THEREOF THAT IS USED OR BOUGHT FOR USE PRIMARILY FOR PERSONAL, FAMILY, OR HOUSEHOLD PURPOSES), WARRANTIES OF DESCRIPTION, WARRANTIES OF MERCHANTABILITY, TRADE USAGE OR WARRANTIES OR TRADE USAGE.

Warning

Failure or improper selection or improper use of the products and/or systems described herein or related items can cause death, personal injury and property damage. This document and other information from Parker Hannifin Corporation, its subsidiaries and authorized distributors provide product

and/or system options for further investigation by users having technical expertise. It is important that you analyze all aspects of your application and review the information concerning the product or system in the current product catalog. Due to the variety of operating conditions and applications for these products or systems, the user, through its own analysis and testing, is solely responsible for making the final selection of the products and systems and assuring that all performance, safety and warning requirements of the applications are met. The products described herein, including with limitation, product features, specifications, designs, availability and pricing, are subject to change by Parker Hannifin Corporation and its subsidiaries at any time without notice.

The following statement is required pursuant to proposition 65, applicable in the State of California: 'This product may contain a chemical known to the State of California to cause cancer or reproductive toxicity.'