

# Ball Valve with Integrated Pressure Relief

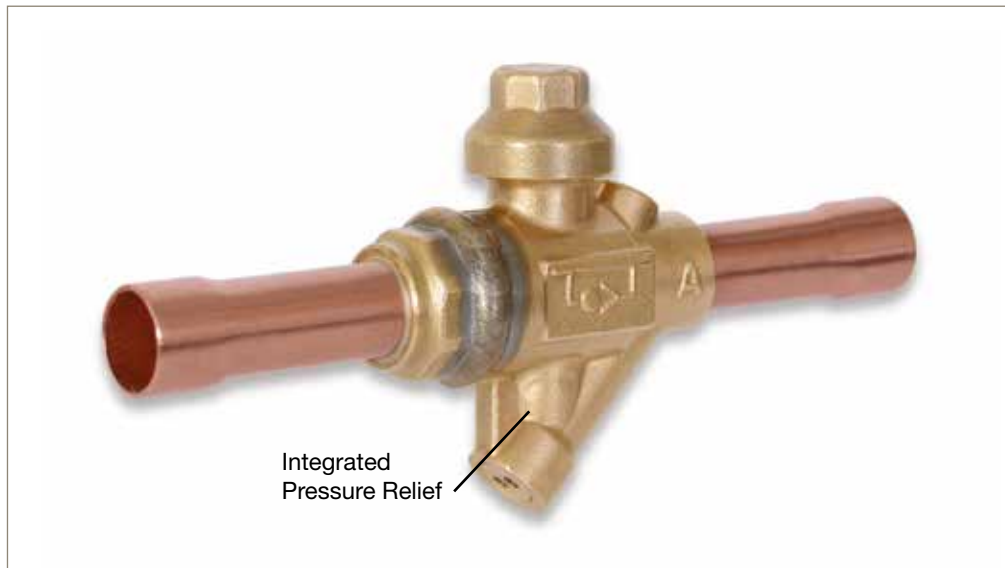
Type EBV-PR



## Advantages

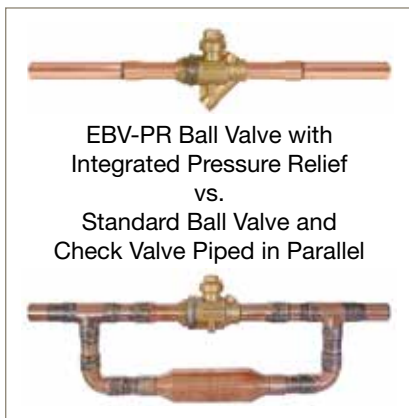
For greater system design flexibility and increased productivity, specify the EBV-PR ball valve with integrated pressure relief. This compact solution eliminates the check valve and associated brazing involved when piping a ball valve and check valve in parallel to protect a system from over pressurization.

- Compact design **simplifies installation**
- Eliminates the check valve and associated piping, resulting in significant **material cost savings**
- Decreases braze joints resulting in **labor savings and increased productivity**
- Minimizes the potential for leaks and decreases nuisance call-backs



## Features

- Allows for positive shut off in one direction and flow in the other direction whenever pressure differential is present (the integrated pressure relief feature is one direction only).
- Protects system from pressure spikes when servicing equipment.
- Welded body joint. Factory tested to ensure positive, leak-free performance. Forged brass body construction with extended K65® fittings and optional access fittings.
- Full size ports for unrestricted flow on most sizes 3/8" (10 mm) through 1-1/8" (28 mm).
- Dual Teflon seals surround the polished, brass ball to prevent leakage. Stem seal and stem washer provide the primary stem seal. Bottom load stem for safety.
- Stainless steel stop plate ensures fully open to fully closed with a 1/4 turn.



EBV-PR Ball Valve with Integrated Pressure Relief  
vs.

Standard Ball Valve and Check Valve Piped in Parallel



ENGINEERING YOUR SUCCESS.

## Specifications

- Full refrigeration service temperature range: -40°F to +325°F (-40°C to +149°C)
- Design working pressure: 1015 psig (70 bar)
- For refrigeration or air conditioning systems
- Suitable for use with the following refrigerants:  
R-22, R-123, R-125, R-134a, R-236fa, R-402A, R-402B, R-404A, R-407A, R-407C, R-407F, R-410A, R-422D, R-448A, R-449A, R-450A, R-452A, R-507, R-513A, R-744
- CE Certification

Figure 1

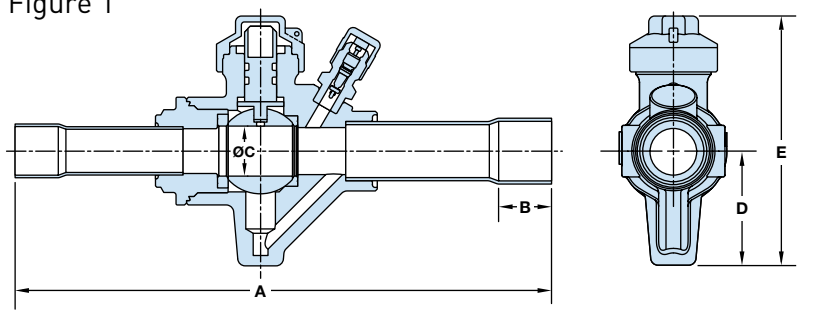
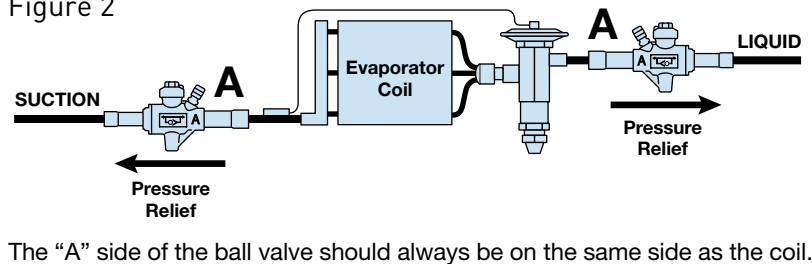


Figure 2



## Dimensions

### EBV-PR Series - Inches

Valve Type	Part Number	Connection (ODF)	Dim. A (mm)	Dim. B (mm)	Dim. C (mm)	Dim. D (mm)	Dim. E (mm)	Kv m3/h
EBV-PR-1030	502199	3/8"	165,10	7,87	12,70	39,62	78,23	3,67
EBV-PR-1040	502200	1/2"	165,10	9,65	12,70	39,62	78,23	5,97
EBV-PR-1050	502201	5/8"	165,10	12,70	12,70	39,62	78,23	11,86
EBV-PR-1060	502202	3/4"	184,15	15,75	19,05	45,47	91,19	17,93
EBV-PR-1070	502203	7/8"	184,15	19,05	19,05	45,47	91,19	25,86
EBV-PR-1090	502204	1-1/8"	215,90	23,11	25,40	54,10	104,39	52,29

### EBV-PR Series - Millimeters

Valve Type	Part Number	Connection (ODF)	Dim. A (mm)	Dim. B (mm)	Dim. C (mm)	Dim. D (mm)	Dim. E (mm)	Kv m3/h
EBV-PR-10MM	502399	10 mm	165,10	8,00	12,70	39,62	78,23	3,67
EBV-PR-12MM	502400	12 mm	165,10	10,00	12,70	39,62	78,23	5,97
EBV-PR-16MM	502401	16 mm	165,10	13,00	12,70	39,62	78,23	11,86
EBV-PR-18MM	502402	18 mm	184,15	16,00	19,05	45,47	91,19	17,93
EBV-PR-22MM	502403	22 mm	184,15	19,00	19,05	45,47	91,19	25,86
EBV-PR-28MM	502405	28 mm	215,90	24,00	25,40	54,10	104,39	52,29

#### ▲ WARNING - USER RESPONSIBILITY

Failure or improper selection or improper use of the products described herein or related items can cause death, personal injury and property damage.

This document and other information from Parker Hannifin Corporation, its subsidiaries and authorized distributors provide product or system options for further investigation by users having technical expertise.

The user, through its own analysis and testing, is solely responsible for making the final selection of the system and components and assuring that all performance, endurance, maintenance, safety and warning requirements of the application are met. The user must analyze all aspects of the application, follow applicable industry standards, and follow the information concerning the product in the current product catalog and in any other materials provided from Parker or its subsidiaries or authorized distributors.

To the extent that Parker or its subsidiaries or authorized distributors provide component or system options based upon data or specifications provided by the user, the user is responsible for determining that such data and specifications are suitable and sufficient for all applications and reasonably foreseeable uses of the components or systems.

