

77 Series

High Pressure Quick Couplings
1/4" Body Size



Flush Valve Minimizes Fluid Loss in High Pressure Applications

Parker's 77 Series quick couplings are available in a wide range of end fittings that are suitable for high pressure applications.

These heavy duty couplings can be configured to function as double shut off with non-spill valves in both halves or single shut off when used with a plain (unvalved) nipple.

Applications include:

- Hydraulic test stands
- Hydrotesting
- Off shore drilling and production



Contact Information:

Parker Hannifin Corporation
Quick Coupling Division
8145 Lewis Road
Minneapolis, MN 55427

phone 763 544 7781
fax 763 544 3418
qcd_sales@parker.com

www.parker.com/quickcouplings

77 Series Features:

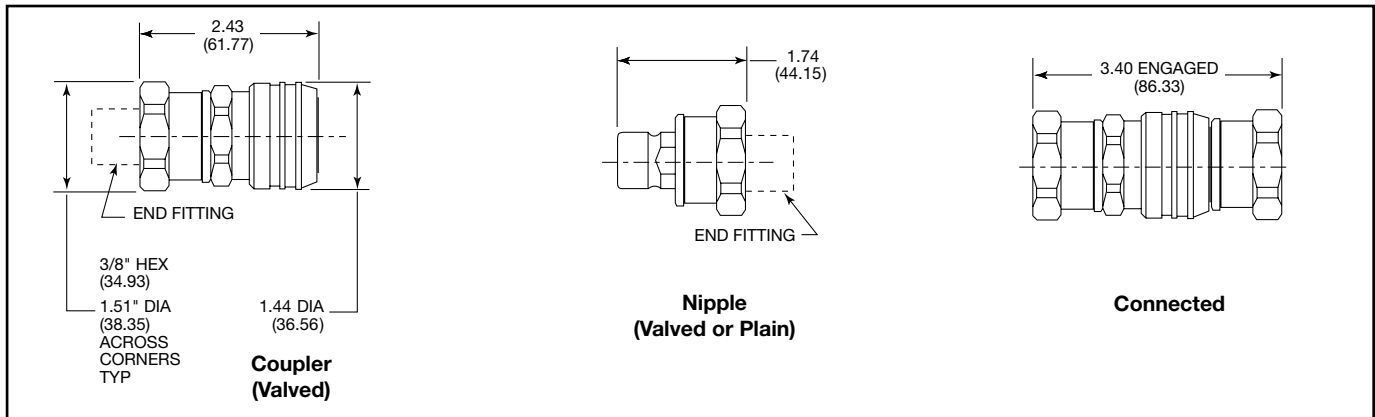
- Flush valve minimizes fluid loss and air inclusion
- Rugged heavy duty construction with superior flow characteristics
- Operating pressures up to 36,000 psi (2482 bar)
- Materials - high strength steel with Zinc Trivalent Chromate plating or electroless nickel plating as well as 316 stainless steel
- Proven dog-lock mechanism provides safe, positive connections and eliminates ball brinelling
- Internal sleeve lock standard as safety feature
- Available in 1/4" size
- End fitting versatility due to two piece body construction



ENGINEERING YOUR SUCCESS.

Technical and Dimensional Information

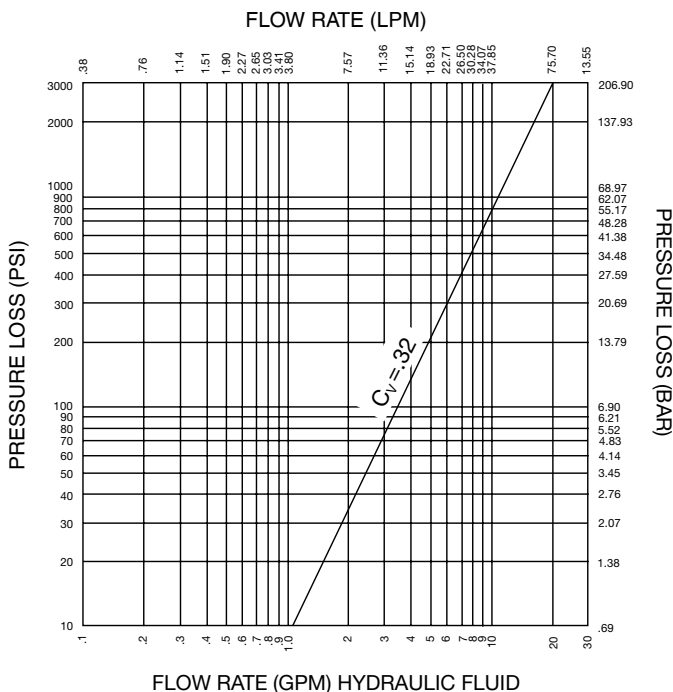
Dimensions



Pressure Ratings

Size	Spillage (cc)	Air Inclusion (cc)	Steel				316 Stainless Steel			
			Maximum Working		Minimum Burst		Maximum Working		Minimum Burst	
			psi	Bar	psi	Bar	psi	Bar	psi	Bar
1/4"	.04	.04	36,000	2482	72,000	4965	20,000	1379	40,000	2759

Pressure Loss vs. Flow



Data applies to parts with female NPTF end fittings

Ordering Information

S **77** **C** **4** **SF562CX** **V**

Special Option:
EN = Electroless Nickel Plating

Seals:
Blank = Nitrile
V = Fluorocarbon

End Fitting Type*:
-4F = 1/4" Female NPTF
-6F = 3/8" Female NPTF
SF562CX = 9/16" Female Medium Pressure
SF375CX = 3/8" Female Medium Pressure
SM562CX = 9/16" Male Medium Pressure
SM375CX = 3/8" Male Medium Pressure
M562C = 9/16" High Pressure Male
RH9 = 9/16" Reverse Cone
RH12 = 3/4" Reverse Cone
RH16 = 1" Reverse Cone
F250C = 1/4" Female High Pressure
M250C = 1/4" Male High Pressure

Body Size:
4 = 1/4"

Body:
C = Coupler
N = Nipple

Series:
77

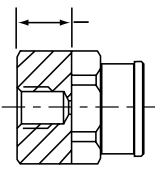
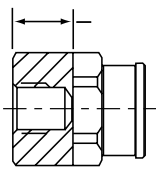
Type:
Blank = Valved
P = Plain (unvalved) - nipple only

Material:
Blank = Plated Steel
S = 316 Stainless Steel

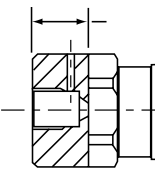
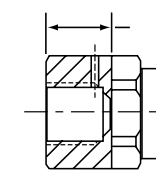
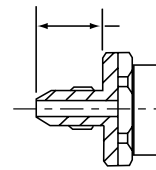
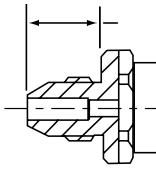
*Contact QCD for availability of other end configurations

End Fittings

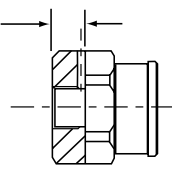
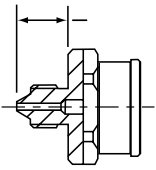
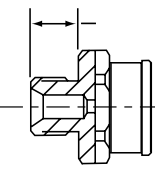
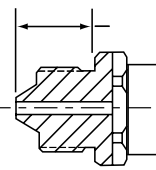
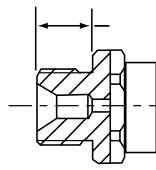
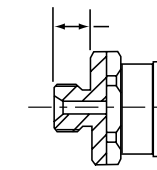
Pressures to 10,000 psi (689 bar)

			
1/4" NPTF		3/8" NPT	
in	mm	in	mm
.75	19.05	.85	21.59

Pressures to 20,000 psi (1379 bar)

							
3/8 MP SF375CX		9/16 MP SF562CX		3/8 MP SM375CX		9/16 MP SM562CX	
in	mm	in	mm	in	mm	in	mm
.75	19.05	.85	21.59	.88	22.35	1.00	25.40

Pressures (Steel) to 36,000 psi (2482 bar) - (SST) to 20,000 psi (1379 bar)

											
1/4" HP F250C		1/4" HP M250C		3/4" REVERSE CONE (AUTOCLAVE RH12)		9/16" HP M562C		1" REVERSE CONE (AUTOCLAVE RH16)		9/16" REVERSE CONE (AUTOCLAVE RH9)	
in	mm	in	mm	in	mm	in	mm	in	mm	in	mm
.45	11.43	.69	17.53	.63	16.00	1.12	28.45	.78	19.81	.50	12.70

