

# 77 Series

High Pressure Quick Couplings  
1/4" Body Size



## Flush Valve Minimizes Fluid Loss in High Pressure Applications

Parker's 77 Series quick couplings are available in a wide range of end fittings that are suitable for high pressure applications.

These heavy duty couplings can be configured to function as double shut off with non-spill valves in both halves or single shut off when used with a plain (without valve) nipple.

Applications include:

- Hydraulic test stands
- Hydrotesting
- Off shore drilling and production



## Contact Information: 77 Series Features:

Parker Hannifin Manufacturing  
Sweden AB  
**Quick Coupling Division Europe**  
Västra Skogsrovägen 1  
54106 Skövde – Sweden

phone +46 500 44 36 00  
fax +46 500 44 36 20  
tema-rfq@parker.com

[www.parker.com](http://www.parker.com)

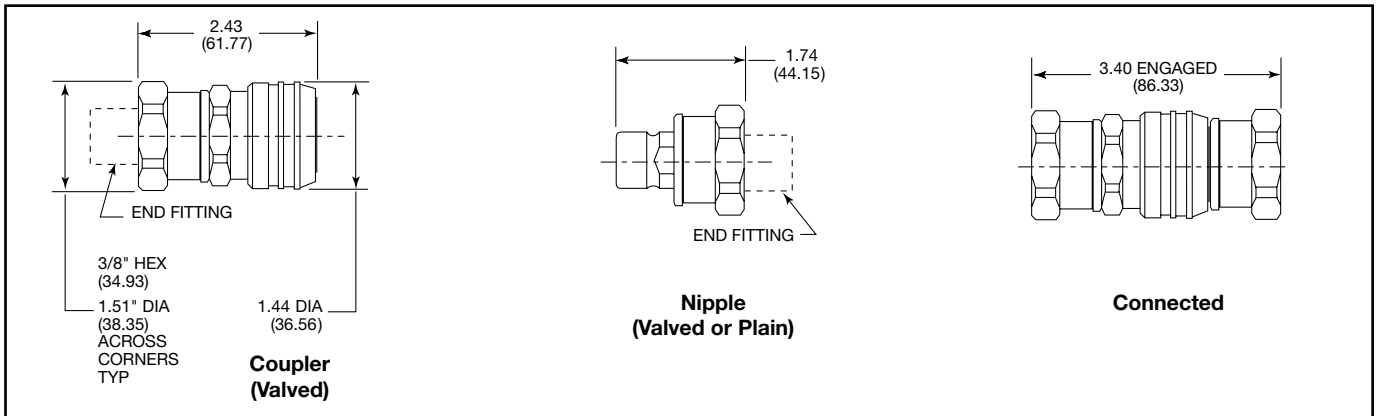
- Flush valve minimizes fluid loss and air inclusion
- Rugged heavy duty construction with superior flow characteristics
- Operating pressures up to 36,000 psi (2482 bar)
- Materials - high strength steel with Zinc Trivalent Chromate plating or electroless nickel plating as well as 316 stainless steel
- Proven dog-lock mechanism provides safe, positive connections and eliminates ball brinelling
- Internal sleeve lock standard as safety feature
- Available in 1/4" size
- End fitting versatility due to two piece body construction



ENGINEERING YOUR SUCCESS.

# Technical and Dimensional Information

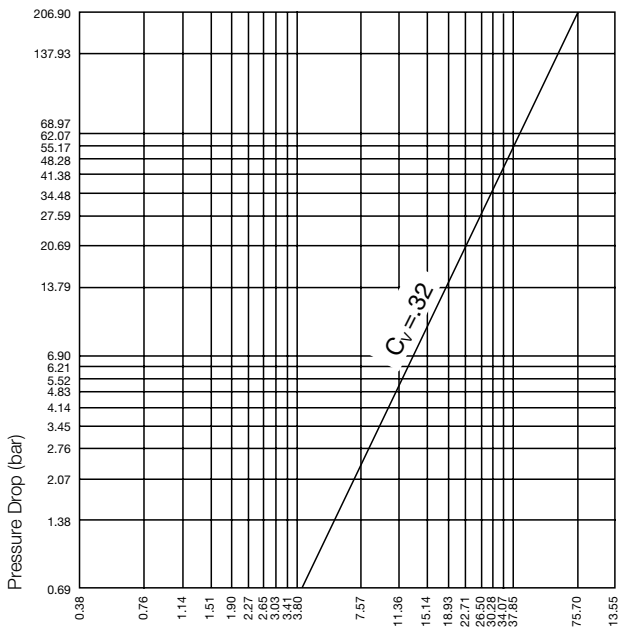
## Dimensions



## Pressure Ratings

Size	Spillage (cc)	Air Inclusion (cc)	Steel				316 Stainless Steel			
			Maximum Working		Minimum Burst		Maximum Working		Minimum Burst	
			psi	Bar	psi	Bar	psi	Bar	psi	Bar
1/4"	0.04	0.04	36,000	2482	72,000	4965	20,000	1379	40,000	2759

## Pressure Loss vs. Flow

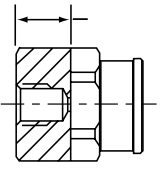
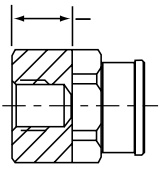


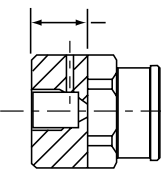
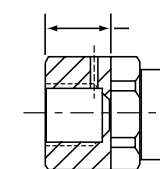
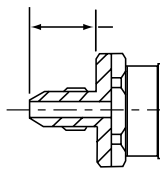
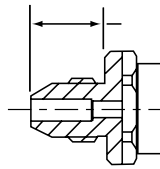
Flow Rate in l/min

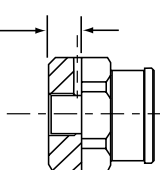
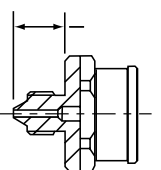
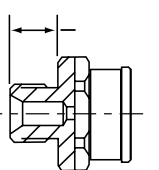
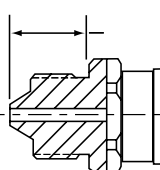
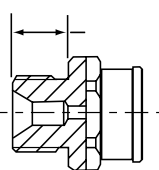
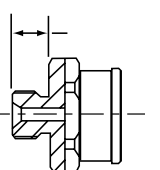
Data applies to parts with female NPTF end fittings

# Technical and Dimensional Information

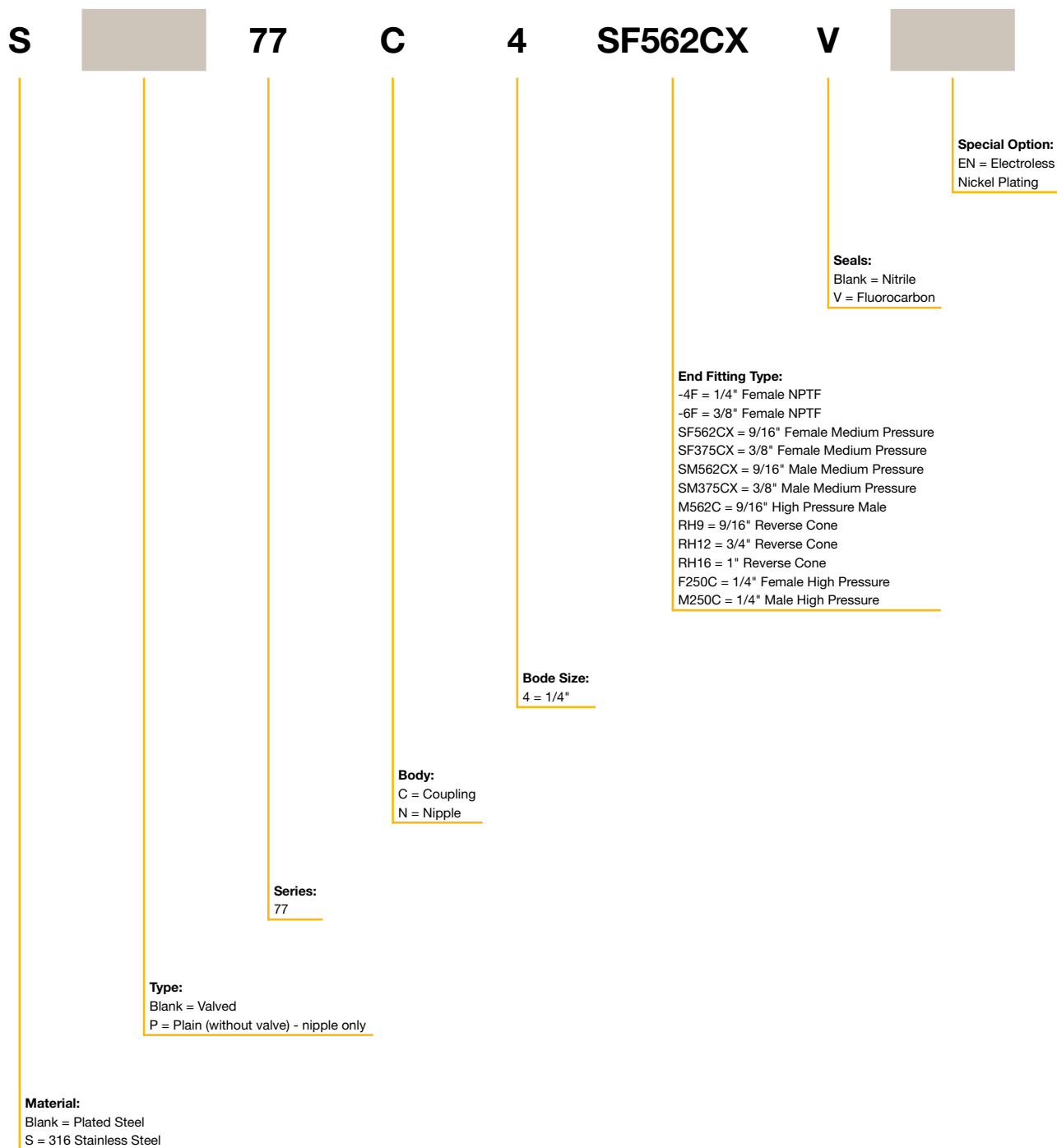
## End Fittings

Pressures to 10,000 psi (689 bar)			
			
1/4" NPTF		3/8" NPT	
in	mm	in	mm
0.75	19.05	0.85	21.59

Pressures to 20,000 psi (1379 bar)							
							
3/8 MP SF375CX		9/16 MP SF562CX		3/8 MP SM375CX		9/16 MP SM562CX	
in	mm	in	mm	in	mm	in	mm
0.75	19.05	0.85	21.59	0.88	22.35	1.00	25.40

Pressures (Steel) to 36,000 psi (2482 bar) - (SST) to 20,000 psi (1379 bar)											
											
1/4" HP F250C		1/4" HP M250C		3/4" REVERSE CONE (AUTOCLAVE RH12)		9/16" HP M562C		1" REVERSE CONE (AUTOCLAVE RH16)		9/16" REVERSE CONE (AUTOCLAVE RH9)	
in	mm	in	mm	in	mm	in	mm	in	mm	in	mm
0.45	11.43	0.69	17.53	0.63	16.00	1.12	28.45	0.78	19.81	0.50	12.70

## Ordering Information



### Notes:

\*Contact QCDE for availability of other end configurations.



### Parker Hannifin Manufacturing Sweden AB

Quick Coupling Division Europe  
Västra Skogsrovägen 1  
54106 Skövde – Sweden  
Phone +46 500 44 36 00  
Fax +46 500 44 36 20  
www.parker.com