

Model 202

Mass Flow Instruments

Porter Mass Flow products reflect over four decades of experience in the design and manufacture of precision instruments for the measurement and control of gas flow. They incorporate design principles that are simple and straightforward, yet flexible enough to operate under a wide variety of process parameters. The result is flowmeters, flow controllers and control valves that are accurate, reliable and cost-effective solutions for many gas flow applications in the analytical, process, chemical/ petrochemical, environmental, biopharmaceutical and research markets.

The 200 series is the latest evolution of the original Porter Analog MFC. With thousands installed worldwide, they are the proven solution when cost effective high performance gas flow control is the goal. The 100 Series Mass Flow Meters are available for applications where flow measurement only is required.



SPECIFICATIONS:

Flow Capacity: Any Flow range from 0-10 SLPM to 0-100 SLPM (nitrogen equivalent).

Response Time (per SEMI E17-91 Settling Time): 1 to 2 Seconds

Accuracy and Linearity: $\pm 1\%$ full scale

Repeatability: Within $\pm 0.2\%$ full scale at any constant temperature within operating temperature range

Rangeability (Control Range): 50; 1 (2%-100% full scale) (accuracy and control)

Ambient and Operating Temperature Range: -10 to 70 °C (± 14 to 158 °F)

Maximum Operating Pressure: 1000 PSIG

Temperature Coefficient (per SEMI E18-91 Zero Effect and Span Effect):
 $\pm 0.05\%$ full scale / °C of zero
 $\pm 0.05\%$ of reading/ °C of span

Mounting Orientation: Attitude insensitive

Warm-up Time: 10 minutes

External Electrical Connector: Nine (9)- pin Dconnector

Weight (approximate): 1.2 lbs

Power Supply Requirements: (Current consumption <250 mAdc):

Voltage output models: +12 ($\pm 5\%$) (0-5 Vdc & 1-5 Vdc flow signal outputs only) or +15 ($\pm 10\%$) Vdc

Current loop models: +15 ($\pm 5\%$) or +24 ($\pm 15\%$) Vdc

Setpoint Input/Flow Signal Output:

0-5 Vdc/0-5 Vdc (2K ohm minimum load resistance)

0-10 Vdc/0-10 Vdc (3K ohm minimum load resistance)

1-5 Vdc/1-5 Vdc (2K ohm minimum load resistance)

4-20 mAdc/4-20mAdc (refer to load resistance values below)

1-5 Vdc/4-20 mAdc (refer to load resistance values below)

Load resistance values for 4-20 mAsc flow signal output:

0-450 ohm for 6.5-15 Vdc loop supply voltage

200-750 ohm for 15-30 Vdc loop supply voltage



ENGINEERING YOUR SUCCESS.

MATERIALS OF CONSTRUCTION

Body: 316 Stainless Steel
Sensor Assembly: 316L Stainless Steel
Orifice: 316 Stainless Steel
Valve Components (Wetted): 302 Stainless Steel, 316 Stainless Steel, 430F Stainless Steel and Sandvik® 1802
Elastomers (O-rings and Valve Seat): Buna N or Viton®
Process Connections: 316 Stainless Steel

Sandvik®, Kalrez® and Viton® are property of their respective owners

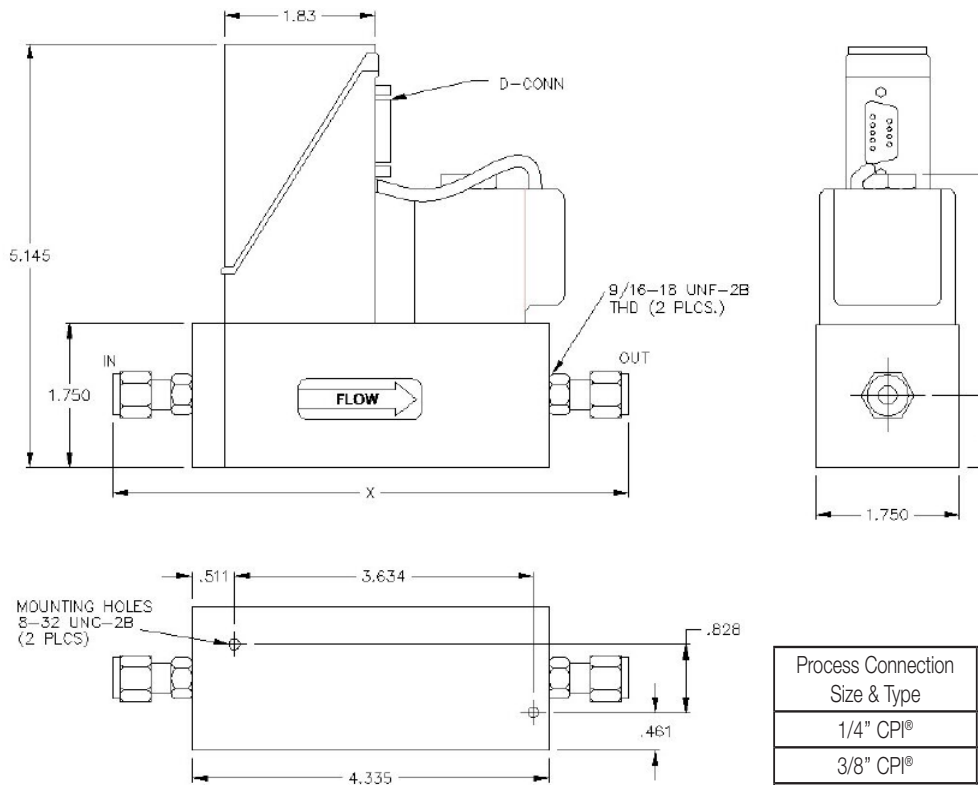
Specifications subject to change

ORDERING INFORMATION

To order, please specify:

- Model number
- Type of output signal
- Elastomer material
- Process connection size and type
- Flow capacity
- Gas type
- Operating temperature
- Inlet (supply) pressure
- Outlet pressure
- Calibration standard (i.e. 0°C, 20°C, 21.1°C or 25°C)
- Additional accessories required

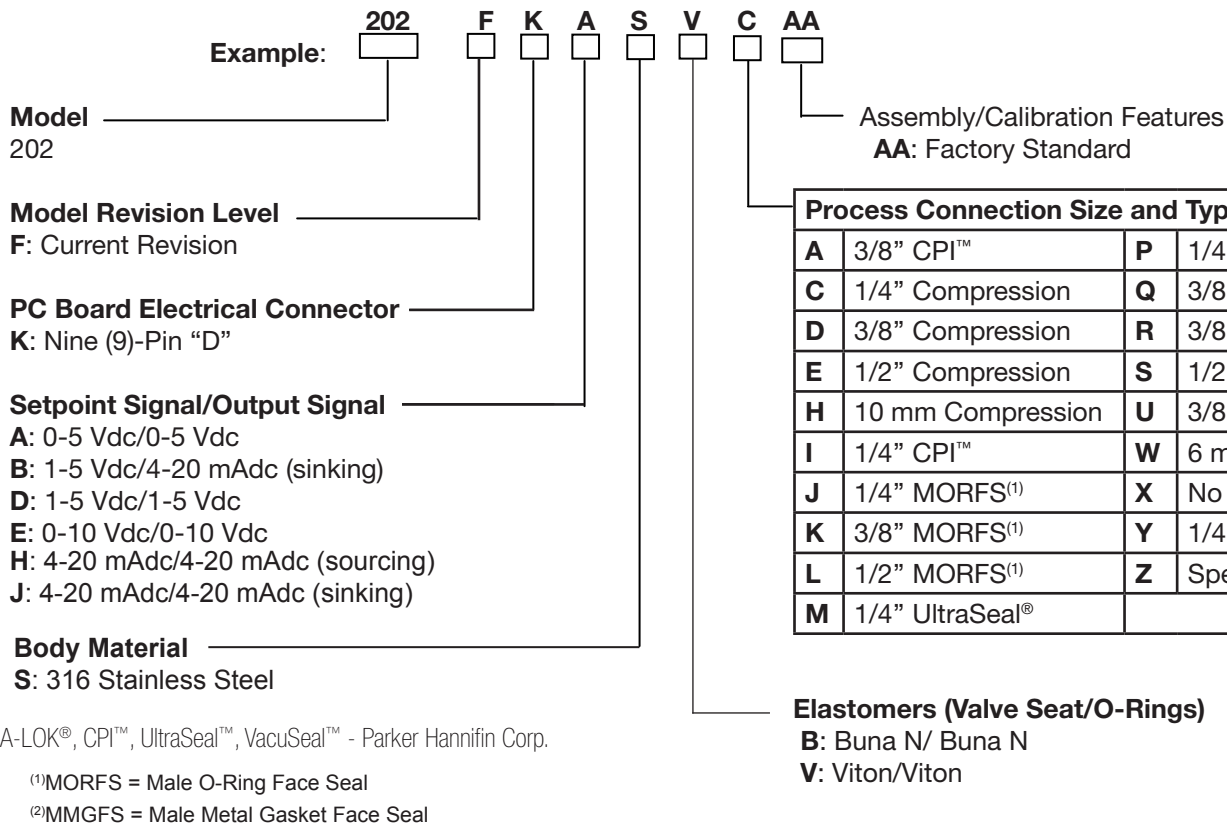
DIMENSIONAL DATA



Process Connection Size & Type	'X' Dimension
1/4" CPI®	5.025"
3/8" CPI®	5.145"
1/4" A-Lok®	5.025"
3/8" A-Lok®	5.145"

Dimensions shown in inches

MODEL NUMBER AND DESCRIPTION



For model number options not shown above, please consult factory

OTHER AVAILABLE ANALOG MASS FLOWMETER AND MASS FLOW CONTROLLER MODELS

Type	Model	Max. Flow ¹ (SLPM)	Max. Pressure ² (PSIG)	Min. Delta ³ (PSIG)
Analog Flow Meters	111	10	1500	2
	121	10	3000	2
	112	100	1500	2
	122	100	3000	2
	113	500	1000	2
	114	1000	1000	2
	2111	10	200	2
3211	10	1000	2	

Type	Model	Max. Flow ¹ (SLPM)	Max. Pressure ² (PSIG)	Min. Delta ³ (PSIG)
Analog Flow Controllers	201	10	1000	7
	261	10	1000	7
	221	10	3000	7
	251	50	1000	35
	202	100	1000	60
	222	100	3000	60
	202A	100	200	10
	203A	500	200	40
	204A	1000	200	80
	2201	10	200	7
	3201/3261	10	1000	7

Note: The flow ranges listed are the minimum and maximum nitrogen (N₂) flow ranges available for each given model. Intermediate flow ranges are available. For correct sizing when operating parameters are questionable, please consult the factory.

 **WARNING – USER RESPONSIBILITY**

FAILURE OR IMPROPER SELECTION OR IMPROPER USE OF THE PRODUCTS DESCRIBED HEREIN OR RELATED ITEMS CAN CAUSE DEATH, PERSONAL INJURY AND PROPERTY DAMAGE.

This document and other information from Parker-Hannifin Corporation, its subsidiaries and authorized distributors provide product or system options for further investigation by users having technical expertise.

The user, through its own analysis and testing, is solely responsible for making the final selection of the system and components and assuring that all performance, endurance, maintenance, safety and warning requirements of the application are met. The user must analyze all aspects of the application, follow applicable industry standards, and follow the information concerning the product in the current product catalog and in any other materials provided from Parker or its subsidiaries or authorized distributors.

To the extent that Parker or its subsidiaries or authorized distributors provide component or system options based upon data or specifications provided by the user, the user is responsible for determining that such data and specifications are suitable and sufficient for all applications and reasonably foreseeable uses of the components or systems.

Offer of Sale

The items described in this document are hereby offered for sale by Parker-Hannifin Corporation, its subsidiaries or its authorized distributors. This offer and its acceptance are governed by the provisions stated in the detailed "Offer of Sale" elsewhere in this document or available at www.parker.com/offerofsale.

WS-0010 Rev. E 10/12



Parker Hannifin Corporation
Porter Instrument Division
245 Township Line Road
Hatfield, PA 19440 USA
(215) 723-4000/ fax (215) 723-2199

ENGINEERING YOUR SUCCESS.