

MV-20-04 Series

2 Way 1/4" Manual PTFE Slurry Valve

aerospace
climate control
electromechanical
filtration
fluid & gas handling
hydraulics
pneumatics
process control
sealing & shielding

Product Overview:

The MV-20-04 Series is designed for slurry, ultra-pure water and aggressive chemical and gas applications.

The MV-20-04 Series utilizes a machined PTFE body for superior chemical resistance. The design has a modified PTFE diaphragm which improves cycle life and provides less shear than standard PTFE. The fully swept open bowl diaphragm seat area minimizes fluid shear while the self draining design minimizes area for entrapment and stagnation of media.

The MV-20-04 Series high load point seat seal improves the sealing mechanism for aggressive chemicals, deionized water and abrasive slurry media while minimizing the particle contribution of the valve.



Contact Information:

Parker Hannifin Corporation
Veriflo Division

Partek Operation

7075 East Southpoint Road
Tucson, Arizona 85756

phone 520 574 2600
fax 520 574 2700

www.parker.com/partek

Product Features:

- Angled and rounded internal flow path provides faster purging and cleaning of valve.
- Flow path design produces less pressure drop which allows for lower pressure requirements upstream and improves fluid flow dynamics.
- Evenly distributed seat sealing forces minimizes diaphragm and valve seat strain while stabilizing valve back pressure capability.
- Maximized diaphragm thickness minimizes potential for permeation while maximizing cycle life.



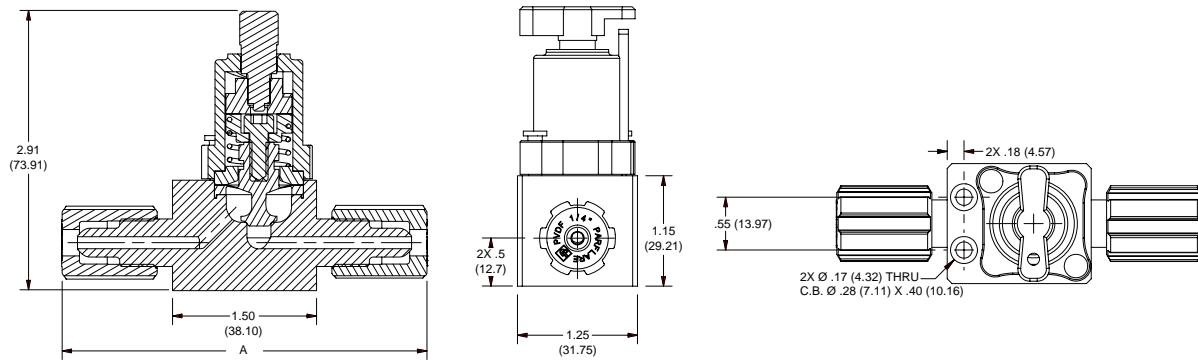
ENGINEERING YOUR SUCCESS.

MV-20-04 Series

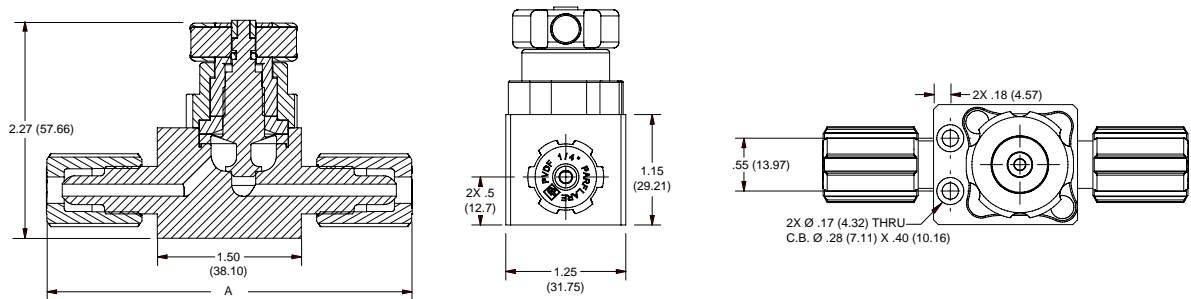
Dimensional Drawing

Note: Parenthesis dimensions are in "mm"

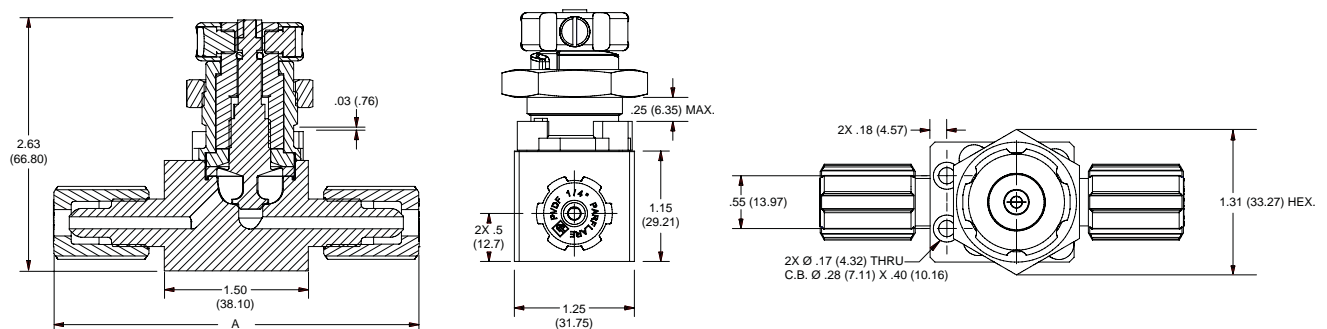
1/4 TURN OPERATION LOTO



MULTI-TURN OPERATION

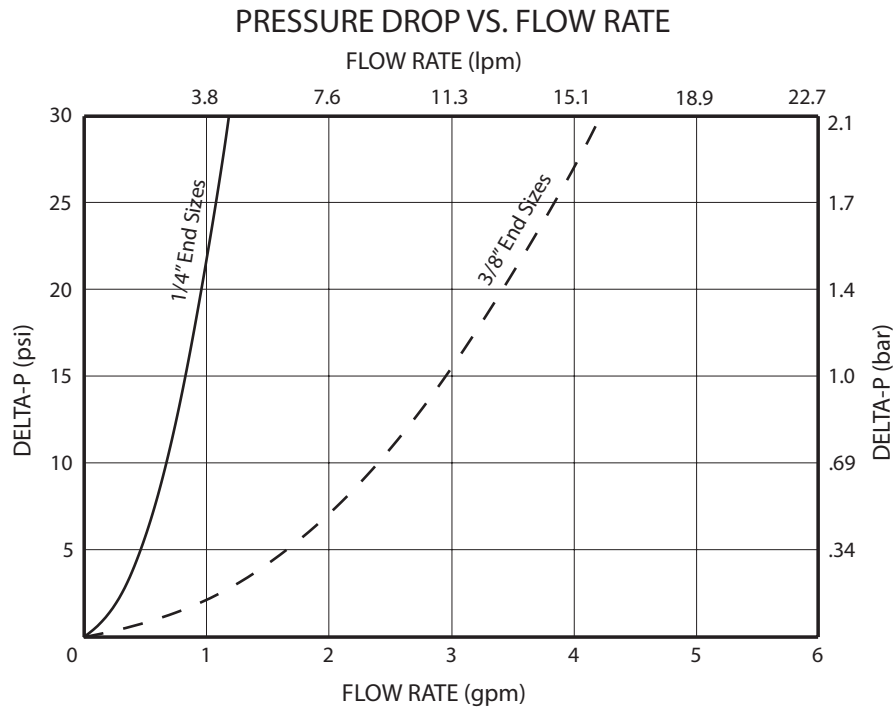


MULTI-TURN OPERATION PANEL



MV-20-04 Series

Flow Curves



Ordering Information

Model Number	Operation	End Size	End Type	A	
				inch	mm
MV-20-04-0604	1/4 TURN LOTO	1/4"	PARFLARE	3.80	96.52
MV-20-04-0606	1/4 TURN LOTO	3/8"	PARFLARE	3.96	100.58
MV-20-04-0904-S3	1/4 TURN LOTO	1/4"	PILLAR	3.20	81.28
MV-20-04-0906-S3	1/4 TURN LOTO	3/8"	PILLAR	3.49	88.65
MV-20-04-0604-MT	MULTI-TURN	1/4"	PARFLARE	3.80	96.52
MV-20-04-0606-MT	MULTI-TURN	3/8"	PARFLARE	3.96	100.58
MV-20-04-0904-MT-S3	MULTI-TURN	1/4"	PILLAR	3.20	81.28
MV-20-04-0906-MT-S3	MULTI-TURN	3/8"	PILLAR	3.49	88.65
MV-20-04-0604-MT-P	MULTI-TURN PANEL MOUNT	1/4"	PARFLARE	3.80	96.52
MV-20-04-0606-MT-P	MULTI-TURN PANEL MOUNT	3/8"	PARFLARE	3.96	100.58
MV-20-04-0904-S3-MT-P	MULTI-TURN PANEL MOUNT	1/4"	PILLAR	3.20	81.28
MV-20-04-0906-S3-MT-P	MULTI-TURN PANEL MOUNT	3/8"	PILLAR	3.49	88.65

MV-20-04 Series

Specifications

Materials of Construction	
Wetted Options	PTFE, Modified PTFE
Non-wetted Options	PVDF, Viton, PTFE coated SS spring
Pressure Ranges	
Ranges	27" HG vacuum (913 mbar) - 80 PSIG (5.5 bar)

Pressure ranges for operation at ambient temperatures. For additional information on materials of construction, functional performance and operating conditions, please contact factory.

Temperature Ranges	
Ambient	0° - 150° F (-17° - 66° C)
Fluid	0° - 266° F (-17° - 130° C)
Flow Capacity	
1/4" End Sizes	C _v .20
3/8" End Sizes	C _v .76

Viton® is a registered trademark of DuPont Performance Elastomers L.L.C.

OFFER OF SALE:

The items described in this document are hereby offered for sale by Parker-Hannifin Corporation, its subsidiaries or its authorized distributors. This offer and its acceptance are governed by the provisions stated in the detailed "Offer of Sale" elsewhere in this document or available at www.parker.com/veriflo

WARNING USER RESPONSIBILITY

FAILURE OR IMPROPER SELECTION OR IMPROPER USE OF THE PRODUCTS DESCRIBED HEREIN OR RELATED ITEMS CAN CAUSE DEATH, PERSONAL INJURY AND PROPERTY DAMAGE. THIS DOCUMENT IS FOR REFERENCE ONLY. PLEASE CONSULT FACTORY FOR LATEST PRODUCT DRAWINGS AND SPECIFICATIONS

This document and other information from Parker-Hannifin Corporation, its subsidiaries and authorized distributors provide product or system options for further investigation by users having technical expertise.

The user, through its own analysis and testing, is solely responsible for making the final selection of the system and components and assuring that all performance, endurance, maintenance, safety and warning requirements of the application are met. The user must analyze all aspects of the application, follow applicable industry standards, and follow the information concerning the product in the current product catalog and in any other materials provided from Parker or its subsidiaries or authorized distributors.

To the extent that Parker or its subsidiaries or authorized distributors provide component or system options based upon data or specifications provided by the user, the user is responsible for determining that such data and specifications are suitable and sufficient for all applications and reasonably foreseeable uses of the components or systems.

