

# MV-11 Series

1/2" Manual PFA 3 Way Valve

aerospace  
climate control  
electromechanical  
filtration  
fluid & gas handling  
hydraulics  
pneumatics  
process control  
sealing & shielding

## Product Overview:

The MV-11 Series is designed for semiconductor, ultra-pure water and aggressive chemical and gas applications.

The MV-11 Series utilizes a molded PFA body with precision machined sealing areas for superior chemical resistance. The design has a modified PTFE diaphragm which provides excellent flexibility, a high cycle life, lower replacements costs and less downtime.

The MV-11 Series has a full 1/2" orifice which provides maximum flow capability in a compact package.



## Contact Information:

Parker Hannifin Corporation  
Veriflo Division  
**Partek Operation**  
7075 East Southpoint Road  
Tucson, Arizona 85756

phone 520 574 2600  
fax 520 574 2700

[www.parker.com/partek](http://www.parker.com/partek)

## Product Features:

- Diaphragms manufactured from modified PTFE provide over five times the flexural life as compared to conventional PTFE.
- Tongue and groove seat and diaphragm for positive through flow shut off and diaphragm to body seal.
- PVDF coated stainless steel spring reduces effects of corrosive environments.
- Submergible option isolates all valve components from the external environment which allows valve to remain functional while operating in wet or gaseous corrosive environments.



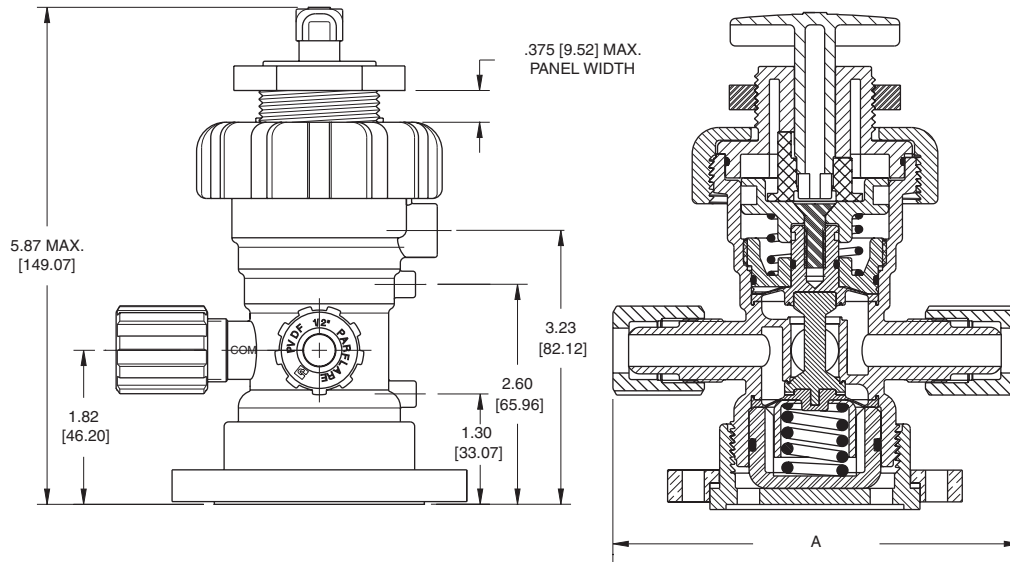
ENGINEERING YOUR SUCCESS.

# MV-11 Series

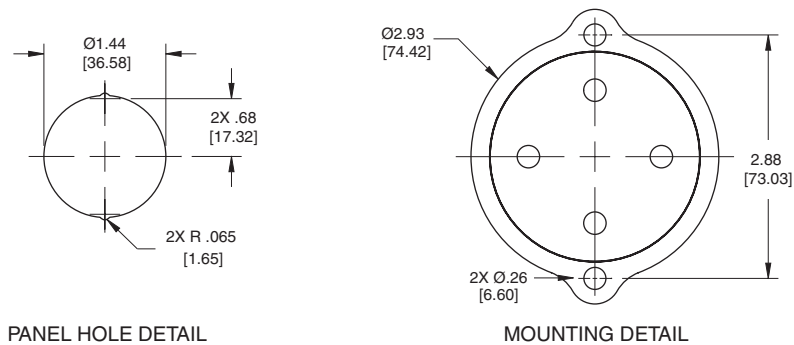
## Dimensional Drawing

Note: Bracketed dimensions are in "mm"

### 1/4 TURN OPERATION

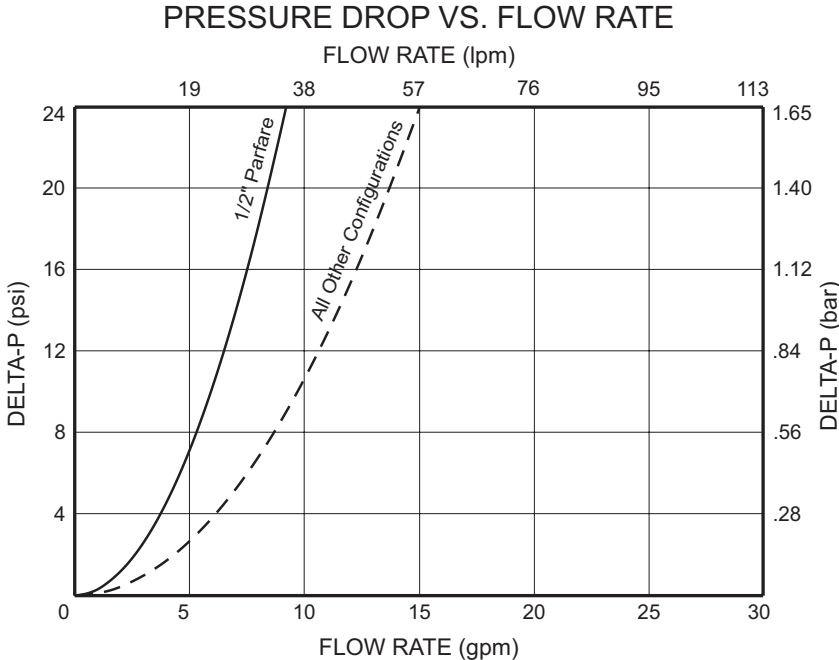


### PANEL HOLE AND MOUNTING OPTIONS



# MV-11 Series

## Flow Curve



## Ordering Information

Model Number	Operation	End Size	End Type	A	
				inch	mm
MV-11-021	1/4 TURN	1/2"	PARFLARE	4.80	121.91
MV-11-022		3/4"	PARFLARE	5.66	143.41
MV-11-023		1/2"	PARBOND	5.76	146.05
MV-11-024		3/4"	PARBOND	5.76	146.05
MV-11-025		1/2"	FNPT	2.78	70.35

Parflare models are supplied with PVDF nuts. For PFA nuts add -T to model number.

# MV-11 Series

## Specifications

Materials of Construction	
Wetted Options	PFA, Modified PTFE
Non-wetted Options	PFA, PVDF, Viton, PVDF coated SS spring
Pressure Ranges	
COM to NO	27" HG vacuum (913 mbar) - 80 PSIG (5.5 bar)
COM to NC	27" HG vacuum (913 mbar) - 25 PSIG (1.7 bar)
NC to COM	27" HG vacuum (913 mbar) with 50 PSIG (3.47 bar) maximum back pressure

Pressure ranges for operation at ambient temperatures. For additional information on materials of construction, functional performance and operating conditions, please contact factory.

Temperature Ranges	
Ambient	0° - 150° F (-17° - 66° C)
Fluid	0° - 266° F (-17° - 130° C)
Flow Capacity	
1/2" Parflare	C <sub>v</sub> 1.9
All Other Configurations	C <sub>v</sub> 2.8

Viton® is a registered trademark of DuPont Performance Elastomers L.L.C.

#### OFFER OF SALE:

The items described in this document are hereby offered for sale by Parker-Hannifin Corporation, its subsidiaries or its authorized distributors. This offer and its acceptance are governed by the provisions stated in the detailed "Offer of Sale" elsewhere in this document or available at [www.parker.com/veriflo](http://www.parker.com/veriflo)

#### WARNING USER RESPONSIBILITY

FAILURE OR IMPROPER SELECTION OR IMPROPER USE OF THE PRODUCTS DESCRIBED HEREIN OR RELATED ITEMS CAN CAUSE DEATH, PERSONAL INJURY AND PROPERTY DAMAGE. THIS DOCUMENT IS FOR REFERENCE ONLY. PLEASE CONSULT FACTORY FOR LATEST PRODUCT DRAWINGS AND SPECIFICATIONS

This document and other information from Parker-Hannifin Corporation, its subsidiaries and authorized distributors provide product or system options for further investigation by users having technical expertise.

The user, through its own analysis and testing, is solely responsible for making the final selection of the system and components and assuring that all performance, endurance, maintenance, safety and warning requirements of the application are met. The user must analyze all aspects of the application, follow applicable industry standards, and follow the information concerning the product in the current product catalog and in any other materials provided from Parker or its subsidiaries or authorized distributors.

To the extent that Parker or its subsidiaries or authorized distributors provide component or system options based upon data or specifications provided by the user, the user is responsible for determining that such data and specifications are suitable and sufficient for all applications and reasonably foreseeable uses of the components or systems.