

VV Venturi/Vacuum Generator

Product Overview

The PTFE Venturi/Vacuum Generator is designed for corrosive or high purity gas applications. The design consists of two machined high purity PTFE body halves attached using a tongue and groove sealing mechanism. The concept of a venturi valve is a short tube with a tapered constriction in the middle that causes an increase in the velocity of flow of a fluid and a corresponding decrease in fluid pressure. This is used in measuring flow or for creating a suction. The lack of moving parts eliminates the possibility of media contamination.



Features

Integral nozzle on inlet body half.

PTFE wetted surfaces.

Benefits

Eliminates the need for calibration and realignment.

Eliminates contamination and fluid compatibility issues.

Specifications

Materials of Construction:

Wetted Surfaces - PTFE

Non Wetted Surfaces - PVDF, 18-8 stainless steel

Pressure Ranges:

0 to 120 PSIG (8.2 bar)

Pressure ranges above are for operation at ambient temperatures. For use at higher temperatures consult Pressure/Temperature chart on page 3.

Temperature Ranges:

0° - 150° F (-17° - 66° C) Ambient

0° - 266° F (-17° - 130° C) Fluid

Motive Fluid:

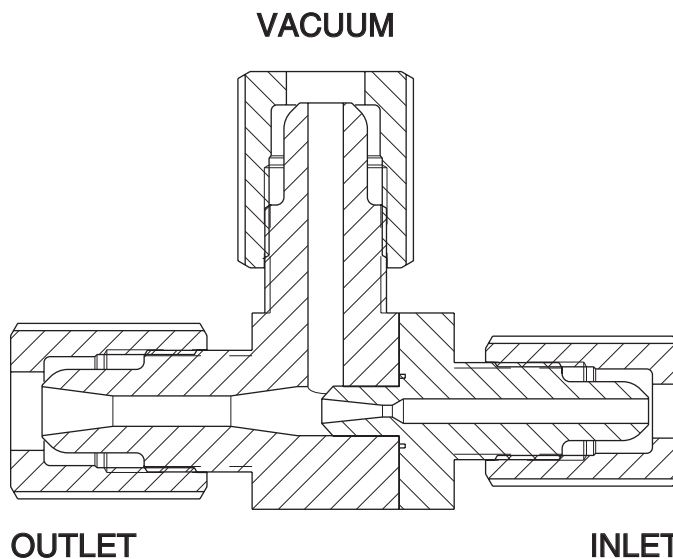
Clean Dry Air, N₂ or any other available gas

Motive Consumption (Air):

At 40 PSIG: 1.60 SCFM

At 60 PSIG: 1.75 SCFM

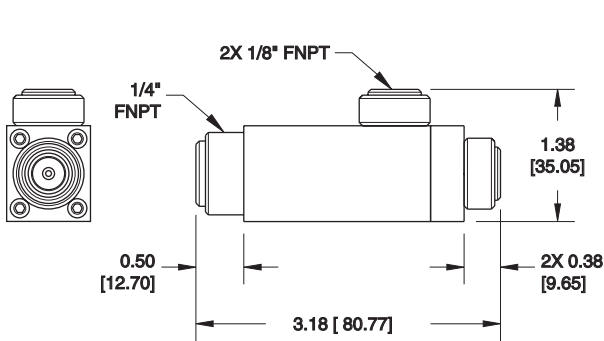
At 80 PSIG: 1.80 SCFM



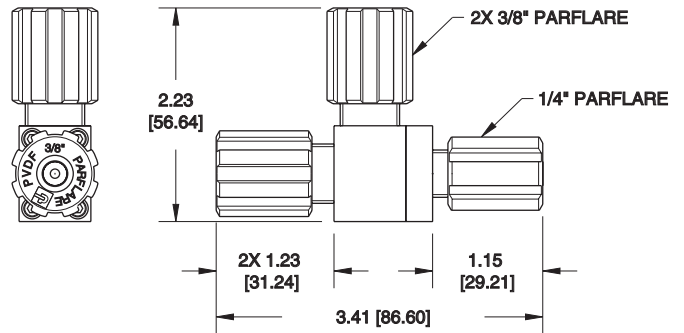
VV Venturi/Vacuum Generator

BRACKETED DIMENSIONS
ARE IN mm.

VV-041020204



VV-046040606



| Model Number | Orifice | Inlet Port | Vacuum Port | Outlet Port |
|--------------|---------|---------------|---------------|---------------|
| VV-041020204 | .060 | 1/8" FNPT | 1/8" FNPT | 1/4" FNPT |
| VV-046040606 | .060 | 1/4" Parflare | 3/8" Parflare | 3/8" Parflare |

SUCTION PRESSURE VS. FLOW RATE

