

SG-1 Nitrogen Gun

Product Overview

The PFA Nitrogen Gun is suitable for use in high purity semiconductor applications. The design utilizes a molded high purity PFA body with precision machined sealing areas. Interior surfaces are PFA and a one piece machined modified PTFE diaphragm/poppet. This design eliminates the need for elastomer seals, while providing excellent flexibility and long life. The SG-1 is available with 1/4" FNPT or 3/8" Parflare connections. Additional options include a .2, or .5 micron filter and a coiled hose assembly.



Features

One piece precision machined diaphragm/poppet manufactured from the latest technology modified PTFE. Provides over five times the flexural life as compared to conventional PTFE. Wiper seat for positive through flow shut off and diaphragm to body seal.

Reversible/removable hanger.

Benefits

High cycle life.

Lower replacement costs.

Less downtime.

Allows hanging in either direction.

Specifications

Materials of Construction:

Interior Surfaces - PFA, Modified PTFE, (optional HDPE filter element)
External Surfaces - PFA, PVDF, and PET handle retention screw.
Other Materials - Stainless steel spring

Pressure Ranges:

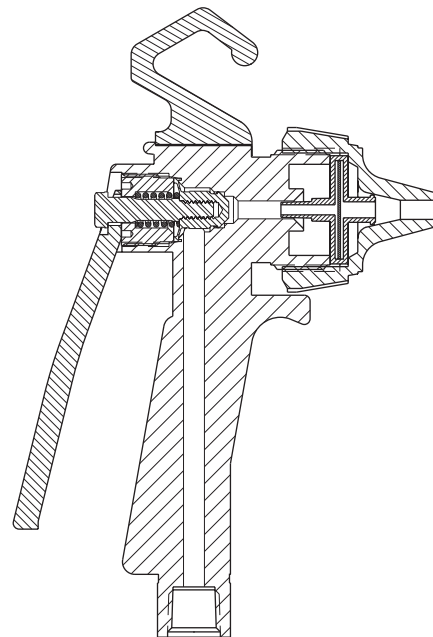
0 PSIG (0 bar) to 80 PSIG (5.5 bar)

Pressure range above is for operation at ambient temperature. For use at higher temperatures consult Pressure/Temperature chart on page 3.

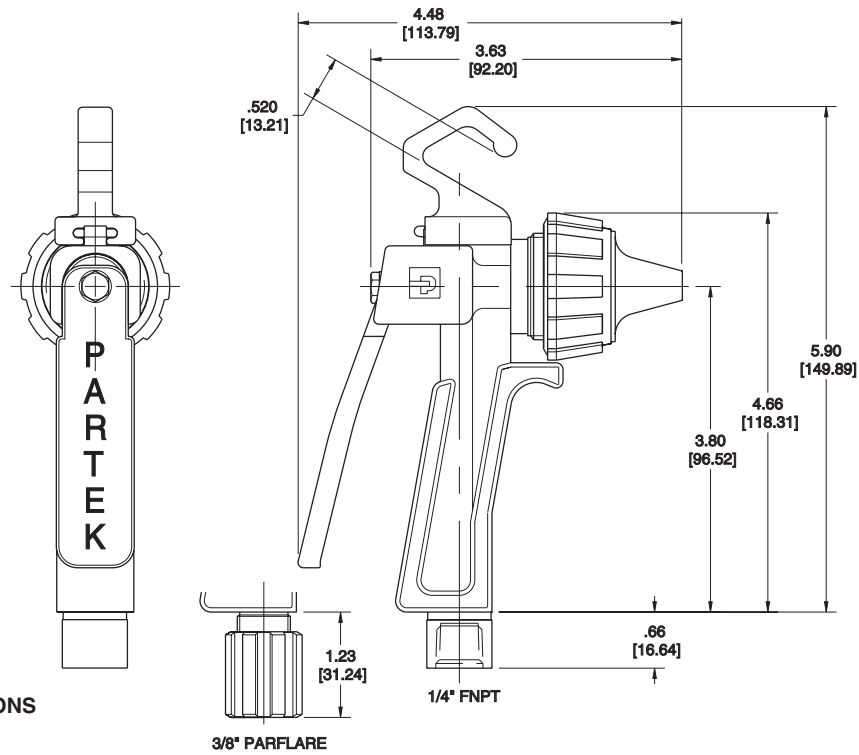
Temperature Ranges:

0° - 150° F (-17° - 66° C) Ambient

0° - 200° F (-17° - 93° C) Fluid



SG-1 Nitrogen Gun



BRACKETED DIMENSIONS ARE IN mm.

Model Number	End Connection	Description
SG-1-03	1/4" FNPT	Spray Gun only (No Filter)
SG-1-04	3/8" Parflare	Spray Gun only (No Filter)
SG-1-03-X	1/4" FNPT	Spray Gun with Filter (Add -2, or -5 for 0.2, or 0.5 Micron Element)
SG-1-04-X	3/8" Parflare	Spray Gun with Filter (Add -2, or -5 for 0.2, or 0.5 Micron Element)
1002-0161	N/A	8' FEP Coil only
4999-0114	"	0.5 Micron Replacement Element
4999-0115	"	0.2 Micron Replacement Element

INLET PRESSURE VS. FLOW

