



Boost Unit

Series BLA



parker.com/pmde



ENGINEERING YOUR SUCCESS.

Contents	Page
General information	3
Description	3
Oil cooling.....	3
Filter.....	4
Boost unit selection	4
Boost pressure	5
Installation	5
Line connection	6
Reservoir	6
Valves	6
Ordering information.....	6
Available versions	6
Filter cartridges.....	6
Installation dimensions	7



WARNING – USER RESPONSIBILITY

FAILURE OR IMPROPER SELECTION OR IMPROPER USE OF THE PRODUCTS DESCRIBED HEREIN OR RELATED ITEMS CAN CAUSE DEATH, PERSONAL INJURY AND PROPERTY DAMAGE.

This document and other information from Parker-Hannifin Corporation, its subsidiaries and authorized distributors provide product or system options for further investigation by users having technical expertise.

The user, through its own analysis and testing, is solely responsible for making the final selection of the system and components and assuring that all performance, endurance, maintenance, safety and warning requirements of the application are met. The user must analyze all aspects of the application, follow applicable industry standards, and follow the information concerning the product in the current product catalog and in any other materials provided from Parker or its subsidiaries or authorized distributors.

To the extent that Parker or its subsidiaries or authorized distributors provide component or system options based upon data or specifications provided by the user, the user is responsible for determining that such data and specifications are suitable and sufficient for all applications and reasonably foreseeable uses of the components or systems.

Offer of Sale

Please contact your Parker representation for a detailed "Offer of Sale".

The BLA boost unit simplifies the building of closed or semi-closed hydrostatic transmissions.

Main features are:

- Replaces conventional charge pump and corresponding valves in many applications
- Allows pump speeds above normal selfpriming speed.
- Suitable for system flow rates to 400 l/min
- Includes filter
- Simple construction - no moving/wear parts
- Cost-effective installation
- Small tank size
- Helps in building a low-cost hydrostatic transmission.

Typical applications:

- Fan drives
- Propeller drives
- Generator drives
- Pump drives.

Description

In a closed circuit hydrostatic transmission, a charge pump is normally included with the main pump, providing make-up fluid which replaces pump and motor volumetric losses. It also maintains sufficient pump inlet pressure to avoid cavitation.

The BLA boost unit replaces the charge pump in many applications, when the following conditions are met:

- The max-to-min pump flow ratio does not exceed 2:1
- System pressure changes gradually without frequent and pronounced pressure peaks
- The line length between pump and boost unit is relatively short.

There are two basic sizes of the BLA boost unit:

- BLA 4 (to 160 l/min pump flow)
- BLA 6 (to 400 l/min).

The main part of the unit is an aluminium housing with a built-in nozzle and an injector; refer to the cross section to the right.

When fluid flows from the motor outlet port through the unit and to the pump inlet port, the increased fluid velocity between the nozzle and injector creates a low pressure zone causing additional fluid to be drawn from tank into the main circuit.

Also, pressure increases after the injector, allowing the pump to be operated at speeds higher than the self-priming speed. The 'boost pressure' increases with flow as shown in the diagrams (fig. 4, page 5).

The housing includes ports that should be connected to the pump and motor drain ports respectively.

An additional bleed-off nozzle diverts approx. 10% of the main flow through the cartridge filter before being directed to the tank.

Oil cooling

An oil cooler is usually required in the hydraulic system, in order to remove the heat that is generated in the main circuit. A full-flow oil cooler should be installed in the return line between the motor and the boost unit; refer to fig. 3, page 4.

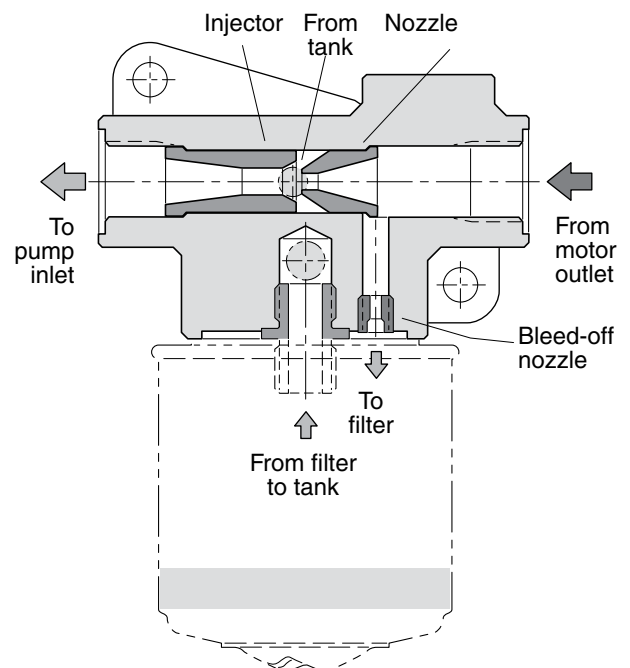


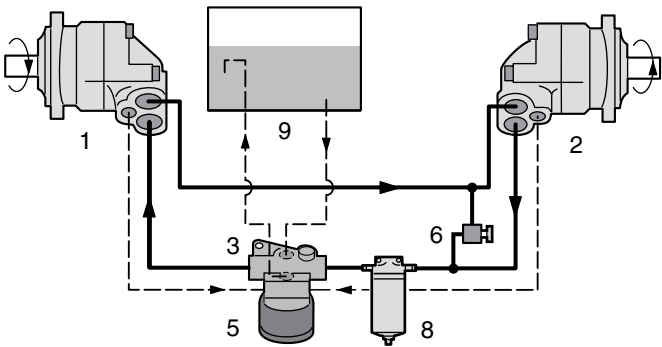
Fig. 1. BLA boost unit cross section.

Filter

The BLA boost unit is supplied with a standard spin-on cartridge filter. The paper insert provides a 20 µm nominal filtration (³ 50 µm absolute filtration).

Cartridges are available as spare parts (page 6).

For continuous operation, an additional full-flow return filter is usually required. It should be installed upstream of the BLA unit; refer to the top schematic to the right.



- 1. Pump
- 2. Motor
- 3. Boost unit (with injector and nozzle)
- 5. Filter cartridge
- 6. Pressure relief valve
- 8. Full-flow filter (when required)
- 9. Reservoir

Fig. 2. Boost unit installation (example).

Boost unit selection

The BLA 4 is available in four sizes with a max recommended flow of 40, 63, 100, and 160 l/min. A filter is included.

The BLA 6 is available in the following sizes: 250, 350 and 400 l/min; it also includes a filter.

Example

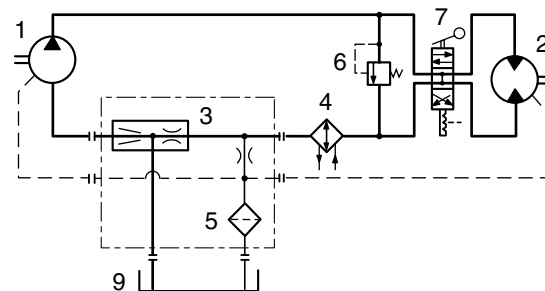
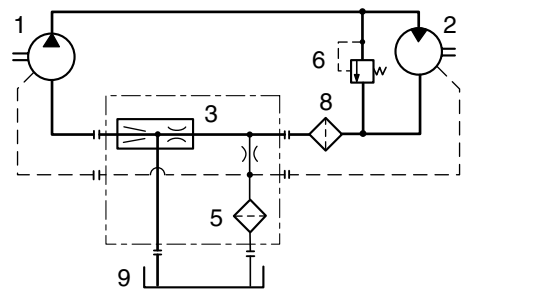
Select a suitable boost unit for a closed loop hydrostatic transmission that utilizes an F11-19 pump at 4000 rpm; nominal flow is approx. 76 l/min.

According to the F11/F12 brochure, the required inlet pressure for an F11-19, operating as a pump at 4000 rpm, is 0.9 bar absolute.

The BLA 4-100 is selected (refer to the middle diagram, fig. 4). It will supply about 1.7 bar boost pressure at approx. 76 l/min, providing a margin for line losses between the boost unit and the pump.

NOTE: The boost pressure (after the unit) is approx. half the pressure before the unit.

As an example, the up-stream pressure of a BLA 4-100 at max. flow (100 l/min) is about 6.5 bar.



- 1. Pump
- 2. Motor
- 3. Boost unit (with injector and nozzle)
- 4. Oil cooler (when required)
- 5. Filter cartridge
- 6. Pressure relief valve
- 7. Directional control valve
- 8. Full-flow filter (when required)
- 9. Reservoir

Fig. 3. Circuit schematics (examples).

Boost pressure

The diagrams in fig. 4 show max outlet pressure versus flow through the various boost units. The pressure increase obtained at higher flows usually corresponds to the additional pump inlet pressure required at elevated shaft speeds.

To avoid pump cavitation, the boost unit should be installed as close to the pump as possible. The pressure at the pump inlet must not, under any operating condition, drop below the required pressure at a particular pump speed.

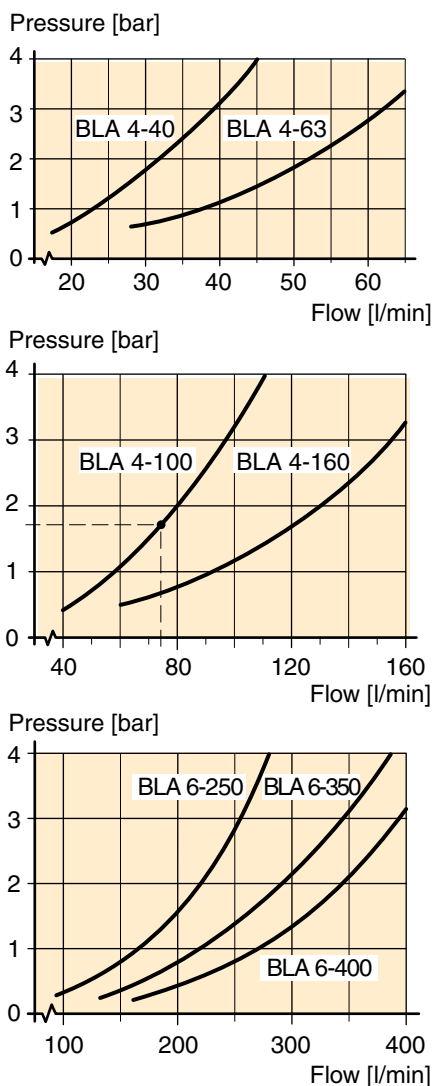


Fig. 4. BLA pressure/flow diagrams.

Installation

For proper functioning, the boost unit must be installed well below the lowest oil level in the reservoir.

The BLA can either be bolted directly to the reservoir side wall as shown below or connected separately with piping or hoses.

An adapter plate, with mounting face and hole pattern corresponding to that of the boost unit housing, should be fabricated and welded in place. The sealing is accomplished with seal washers.

The filtered oil flow from the boost unit must enter the reservoir as far away as possible from the inlet, and the pipe must always be well below the lowest oil level.

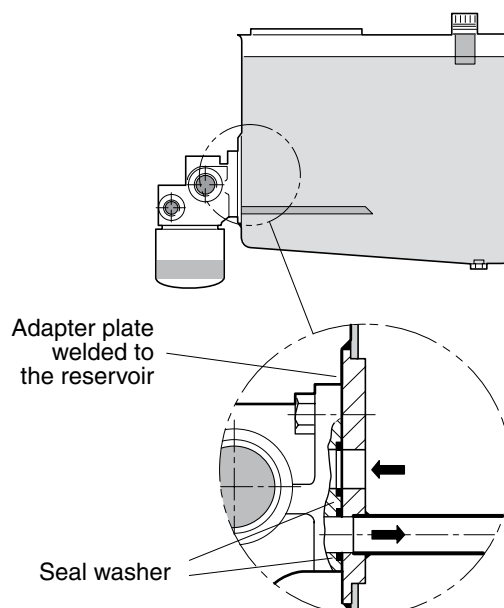


Fig. 5. Boost unit/reservoir installation (example).

Line connection

When the boost unit is connected to the reservoir with piping or hoses, line length should not exceed 0.5 m, and the inner diameter should equal or exceed 13 mm ($\frac{1}{2}$ ").

To avoid large pressure losses between the boost unit and the pump inlet, the line should be as straight as possible, not to exceed 0.5 m in length.

The recommended, minimum inner diameter of the line is shown in the following table.

BLA 4 size	Inner dia. [mm]	BLA 6 size	Inner dia. [mm]
-40	13	-250	32
-63	20	-350	38
100	20	-400	38
-160	25		

Reservoir

The reservoir should be large enough to allow the oil to be turned over in 1.5 to 2 min. The oil will then be sufficiently de-aerated. The size of the reservoir normally corresponds to 15-20 % of the pump flow.

As an example, a pump flow of 75 l/min requires a reservoir of 10 to 15 l.

Valves

A system pressure relief valve or directional control valve should be connected as shown in figure 3 (page 4).

The valve return must be connected to the boost unit inlet (**not** directly to the reservoir).

NOTE: The drain lines from the pump and the motor are also connected to the boost unit; refer to the schematics and installation drawings on page 4.

Ordering information

Example: **BLA 6 - 250**
 Type: BLA 4 or 6
 Size: BLA 4: **40, 63, 100 or 160**
 BLA 6: **250, 350 or 400**

Available versions

Version	Part no.
BLA 4-40	73 186
BLA 4-40-X*	379 7824
BLA 4-63	73 061
BLA 4-100	73062
BLA 4-160	73 159
BLA 6-250	73 311
BLA 6-350	370 1097
BLA 6-400	73 312

* X - Bleed-off nozzle plugged; BLA 4

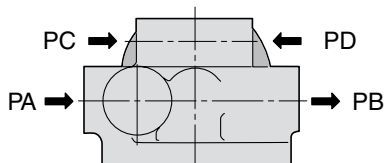
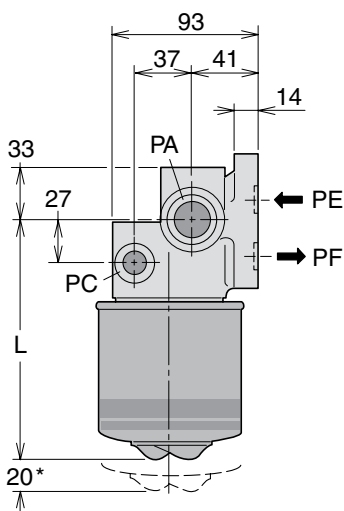
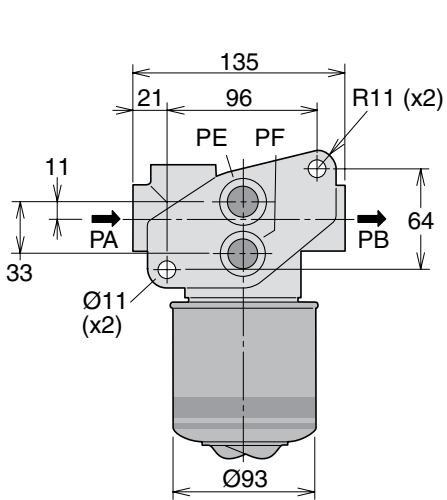
Filter cartridges

Version	Part no.
BLA 4-40, -63, -100	351 7857
BLA 4-160	73 194
BLA 6-250	73 308
BLA 6-350, -400	73 309

Seal washers (for ports PE and PF)

Version	Part no.	Washer size
BLA 4 (alle)	943 908	$\frac{1}{2}$ "
BLA 6-250	944 252	$\frac{3}{4}$ "
BLA 6-350, -400	944 498	1"

BLA 4



* Additional space required for filter replacement

Port sizes (all are BSP)

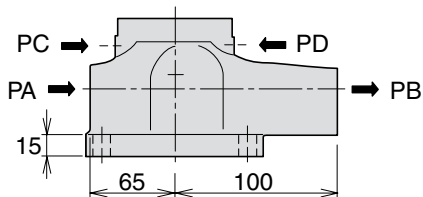
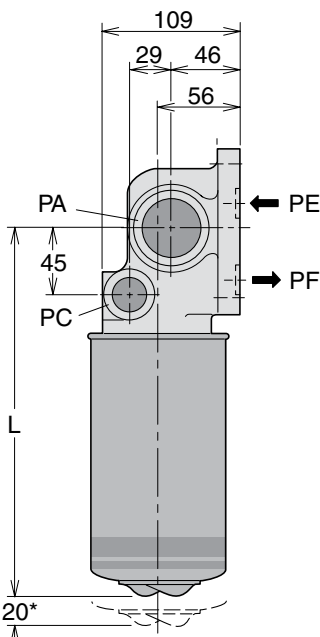
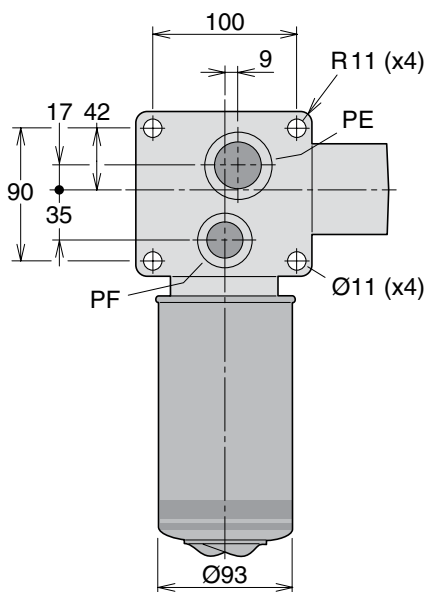
Port	BLA 4	BLA 6	Description
PA	3/4"	1 1/4"	From motor outlet
PB	3/4"	1 1/4"	From motor outlet
PC	3/8"	3/4"	From pump and motor drain ports
PD	3/8"	3/4"	From pump and motor drain ports
PE ¹⁾	1/2"	1"	From reservoir
PF ¹⁾	1/2"	3/4"	Return to reservoir
PG	1/2"	3/4"	To cooler
PH	1/2"	3/4"	From cooler

1) Countersunk to accept seal washer:
 PE: BLA4 – Ø 29x2.4; BLA6 – Ø 44x2.9
 PF: BLA4 – Ø 29x2.4; BLA6 – Ø 36x2.4

Weight

BLA size	Weight [kg]
4-40, -63, -100	1.9
4-160	2.1
6-250	3.1
6-350, 400	3.2

BLA 6



* Additional space required for filter replacement

Dimension L

BLA size	L [mm]
4-40, -63, -100	153
4-160	203
6-250	250
6-350, -400	301

Parker Worldwide

Europe, Middle East, Africa

AE – United Arab Emirates, Dubai

Tel: +971 4 8127100
parker.me@parker.com

AT – Austria, Wiener Neustadt

Tel: +43 (0)2622 23501-0
parker.austria@parker.com

AT – Eastern Europe, Wiener Neustadt

Tel: +43 (0)2622 23501 900
parker.easteurope@parker.com

AZ – Azerbaijan, Baku

Tel: +994 50 2233 458
parker.azerbaijan@parker.com

BE/LU – Belgium, Nivelles

Tel: +32 (0)67 280 900
parker.belgium@parker.com

BG – Bulgaria, Sofia

Tel: +359 2 980 1344
parker.bulgaria@parker.com

BY – Belarus, Minsk

Tel: +48 (0)22 573 24 00
parker.poland@parker.com

CH – Switzerland, Etoy

Tel: +41 (0)21 821 87 00
parker.switzerland@parker.com

CZ – Czech Republic, Klecany

Tel: +420 284 083 111
parker.czechrepublic@parker.com

DE – Germany, Kaarst

Tel: +49 (0)2131 4016 0
parker.germany@parker.com

DK – Denmark, Ballerup

Tel: +45 43 56 04 00
parker.denmark@parker.com

ES – Spain, Madrid

Tel: +34 902 330 001
parker.spain@parker.com

FI – Finland, Vantaa

Tel: +358 (0)20 753 2500
parker.finland@parker.com

FR – France, Contamine s/Arve

Tel: +33 (0)4 50 25 80 25
parker.france@parker.com

GR – Greece, Piraeus

Tel: +30 210 933 6450
parker.greece@parker.com

HU – Hungary, Budaörs

Tel: +36 23 885 470
parker.hungary@parker.com

IE – Ireland, Dublin

Tel: +353 (0)1 466 6370
parker.ireland@parker.com

IL – Israel

Tel: +39 02 45 19 21
parker.israel@parker.com

IT – Italy, Corsico (MI)

Tel: +39 02 45 19 21
parker.italy@parker.com

KZ – Kazakhstan, Almaty

Tel: +7 7273 561 000
parker.easteurope@parker.com

NL – The Netherlands, Oldenzaal

Tel: +31 (0)541 585 000
parker.nl@parker.com

NO – Norway, Asker

Tel: +47 66 75 34 00
parker.norway@parker.com

PL – Poland, Warsaw

Tel: +48 (0)22 573 24 00
parker.poland@parker.com

PT – Portugal

Tel: +351 22 999 7360
parker.portugal@parker.com

RO – Romania, Bucharest

Tel: +40 21 252 1382
parker.romania@parker.com

RU – Russia, Moscow

Tel: +7 495 645-2156
parker.russia@parker.com

SE – Sweden, Spånga

Tel: +46 (0)8 59 79 50 00
parker.sweden@parker.com

SK – Slovakia, Banská Bystrica

Tel: +421 484 162 252
parker.slovakia@parker.com

SL – Slovenia, Novo Mesto

Tel: +386 7 337 6650
parker.slovenia@parker.com

TR – Turkey, Istanbul

Tel: +90 216 4997081
parker.turkey@parker.com

UA – Ukraine, Kiev

Tel: +48 (0)22 573 24 00
parker.poland@parker.com

UK – United Kingdom, Warwick

Tel: +44 (0)1926 317 878
parker.uk@parker.com

ZA – South Africa, Kempton Park

Tel: +27 (0)11 961 0700
parker.southafrica@parker.com

North America

CA – Canada, Milton, Ontario

Tel: +1 905 693 3000

US – USA, Cleveland

Tel: +1 216 896 3000

Asia Pacific

AU – Australia, Castle Hill

Tel: +61 (0)2-9634 7777

CN – China, Shanghai

Tel: +86 21 2899 5000

HK – Hong Kong

Tel: +852 2428 8008

IN – India, Mumbai

Tel: +91 22 6513 7081-85

JP – Japan, Tokyo

Tel: +81 (0)3 6408 3901

KR – South Korea, Seoul

Tel: +82 2 559 0400

MY – Malaysia, Shah Alam

Tel: +60 3 7849 0800

NZ – New Zealand, Mt Wellington

Tel: +64 9 574 1744

SG – Singapore

Tel: +65 6887 6300

TH – Thailand, Bangkok

Tel: +662 186 7000

TW – Taiwan, Taipei

Tel: +886 2 2298 8987

South America

AR – Argentina, Buenos Aires

Tel: +54 3327 44 4129

BR – Brazil, Sao Jose dos Campos

Tel: +55 800 727 5374

CL – Chile, Santiago

Tel: +56 2 623 1216

MX – Mexico, Toluca

Tel: +52 72 2275 4200



EMEA Product Information Centre

Free phone: 00 800 27 27 5374

(from AT, BE, CH, CZ, DE, DK, EE, ES, FI, FR, IE, IL, IS, IT, LU, MT, NL, NO, PL, PT, RU, SE, SK, UK, ZA)

US Product Information Centre

Toll-free number: 1-800-27 27 537

www.parker.com