

 **WARNING**

To avoid unpredictable system behavior that can cause personal injury and property damage:

- Disconnect electrical supply (when necessary) before installation, servicing, or conversion.
- Disconnect air supply and depressurize all air lines connected to this product before installation, servicing, or conversion.
- Operate within the manufacturer's specified pressure, temperature, and other conditions listed in these instructions.
- Medium must be moisture-free if ambient temperature is below freezing.
- Service according to procedures listed in these instructions.
- Installation, service, and conversion of these products must be performed by knowledgeable personnel who understand how pneumatic products are to be applied.
- After installation, servicing, or conversion, air and electrical supplies (when necessary) should be connected and the product tested for proper function and leakage. If audible leakage is present, or the product does not operate properly, do not put into use.
- Warnings and specifications on the product should not be covered by paint, etc. If masking is not possible, contact your local representative for replacement labels.

Introduction

A unique feature of the QIX® series is the option of changing pipe size to accommodate 1/4" through 1" sizes. To change insert (prior to installation), simply remove both insert pins and pull insert in direction away from pin hole. Install new (size) insert or universal combination insert (for combination unit) ensuring O-ring is in place and insert is firmly seated prior to insert of pins. Follow these instructions when installing, operating, or servicing the product.

Application Limits

These products are intended for use in general purpose compressed air systems only.

Maximum Recommended Pressure Drop:

	kPa	PSIG	bar
Particulate Filter	70	10	0.7

With Metal Bowl

	kPa	PSIG	bar
Operating Pressure Maximum	1723	250	17.0
Operating Temperature Range	4°C to 66°C (40°F to 150°F)		

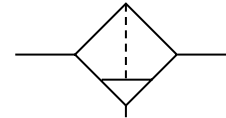
With Metal Bowl with Internal Auto Drain Installed

	kPa	PSIG	bar
Operating Pressure Maximum	1207	175	12.0
Operating Temperature Range	4°C to 49°C (40°F to 120°F)		

With Piston Drain Filter

	kPa	PSIG	bar
Operating Pressure Maximum	1207	175	12.0
Operating Temperature Range	4°C to 49°C (40°F to 120°F)		

ANSI Symbols



**Filter
w/Manual Drain**

Installation

Before installing, blow out pipe line to remove scale and other foreign matter. This unit has DRYSEAL pipe threads. Use pipe compound or tape sparingly to male threads only. Install filter in pipe line so that air will flow in direction of arrow stamped on body. Install as near as possible to equipment being serviced. Filter must be installed with bowl in a vertical position.

Maintenance – Cleaning

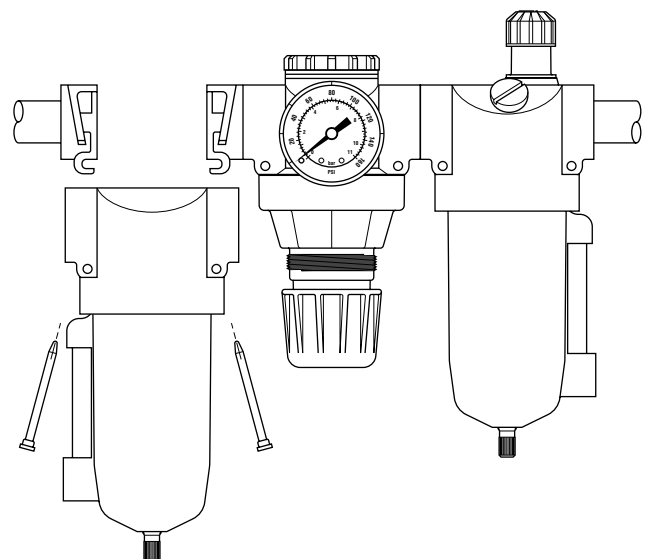
To clean, it is not necessary to remove unit from the line. Refer to drawing on reverse as a guide in reassembly.

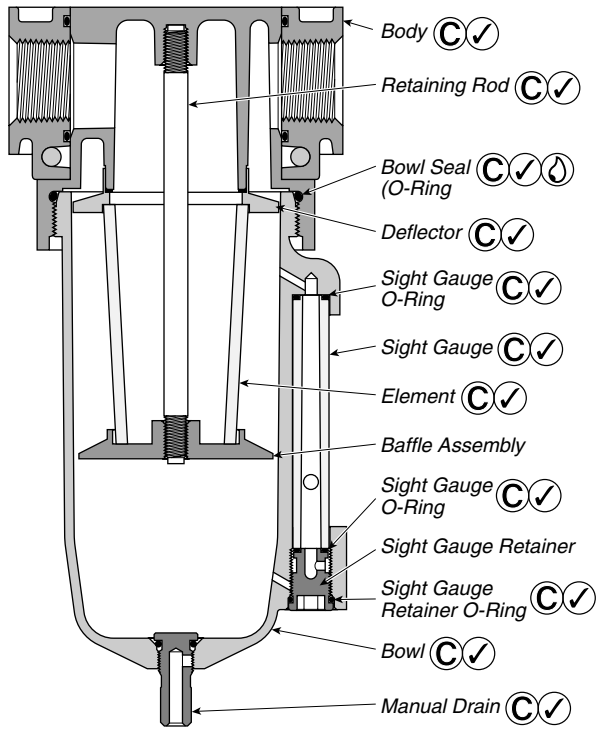
To maintain maximum filtering efficiency, and to avoid excessive pressure drop, the filter must be kept clean. Turn drain valve clockwise to remove liquid accumulation before it reaches level of lower baffle. A visible coating of dirt or condensate on filter element, or excessive pressure drop, indicates cleaning is necessary.

To clean, depressurize air line and unscrew bowl. Follow drawing provided on reverse as a guide for disassembly and reassembly. Blow out body with compressed air.

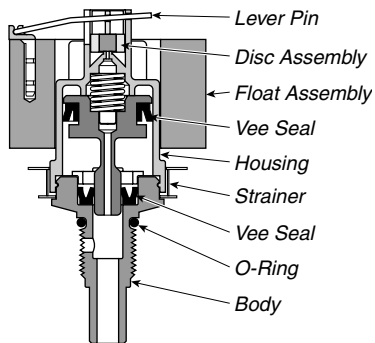
 **CAUTION: METAL BOWL WITH SIGHT GAUGE MUST BE CLEANED WITH HOUSEHOLD SOAP ONLY.**

For servicing or replacement, depressurize unit and simply remove insert retaining pins and remove unit from air line as shown below.





- Ⓐ Lightly grease with provided lubricant.
- ✓ Inspect for nicks, scratches, and surface imperfections. If present, reduced service life is probable and future replacement should be planned.
- Ⓒ Clean with lint-free cloth.



Internal Auto Drain

⚠ CAUTION

Polycarbonate bowls, being transparent and tough, are ideal for use with Filters and Lubricators. They are suitable for use in normal industrial environments, but should not be located in areas where they could be subjected to direct sunlight, an impact blow, nor temperatures outside of the rated range. As with most plastics, some chemicals can cause damage. Polycarbonate bowls should not be exposed to chlorinated hydrocarbons, ketones, esters and certain alcohols. They should not be used in air systems where compressors are lubricated with fire-resistant fluids such as phosphate ester and diester types.

Metal bowls are recommended where ambient and/or media conditions are not compatible with polycarbonate bowls. Metal bowls resist the action of most such solvents, but should not be used where strong acids or bases are present or in salt laden atmospheres. Consult the factory for specific recommendations where these conditions exist.

TO CLEAN POLYCARBONATE BOWLS USE MILD SOAP AND WATER ONLY! DO NOT use cleansing agents such as acetone, benzene, carbon tetrachloride, gasoline, toluene, etc., which are damaging to this plastic.

Service Kits / Parts Available

Description	Kit Number
Element Replacement Kit 5 Micron Element 40 Micron Element	EKF20VA EKF20A
Sight Gauge Repair Kit (Sight Gauge, Sight Gauge O-Ring, Indicator Float, Sight Gauge Retainer, Retainer O-Ring)	RKB605WB
Bowl, Replacement Kit w/Drain Cock (Bowl and Sight Gauge, Bowl O-Ring)	BKF21WA*
Internal Auto Drain Repair Kit (Lever Pin, Disc Assembly, Float Assembly, Vee Seal, Strainer, O-Ring)	RK602MD/M4
Piston Drain Kit (Piston, Drain Cock Complete Assembly including Strainer and O-Ring)	4212

* Bowl kit without manual drain no longer available (use BKF21WA).

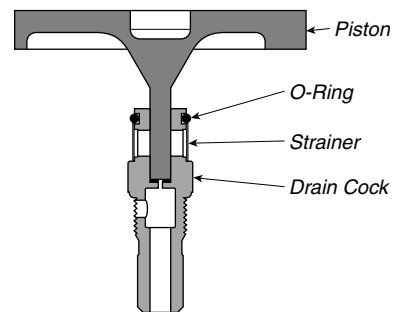
Accessories

Description	Kit Number
Wall Mount Kit	MK20-0100

Extra (Pipe Port) Insert Kits and Combination Unit Interface Insert

Pipe Port Size	Kit Number
1/4"	IK20Y
3/8"	IK20X
1/2"	IK20A
3/4"	IK20B
1"	IK20C
Combination	IK20CC

Note: Kit includes two pipe port inserts. "O" rings and pins.



Piston Drain

⚠ WARNING

FAILURE OR IMPROPER SELECTION OR IMPROPER USE OF THE PRODUCTS AND/OR SYSTEMS DESCRIBED HEREIN OR RELATED ITEMS CAN CAUSE DEATH, PERSONAL INJURY AND PROPERTY DAMAGE.

This document and other information from The Company, its subsidiaries and authorized distributors provide product and/or system options for further investigation by users having technical expertise. It is important that you analyze all aspects of your application, including consequences of any failure and review the information concerning the product or systems in the current product catalog. Due to the variety of operating conditions and applications for these products or systems, the user, through its own analysis and testing, is solely responsible for making the final selection of the products and systems and assuring that all performance, safety and warning requirements of the application are met.

The products described herein, including without limitation, product features, specifications, designs, availability and pricing, are subject to change by The Company and its subsidiaries at any time without notice.

EXTRA COPIES OF THESE INSTRUCTIONS ARE AVAILABLE FOR INCLUSION IN EQUIPMENT / MAINTENANCE MANUALS THAT UTILIZE THESE PRODUCTS. CONTACT YOUR LOCAL REPRESENTATIVE.