



Parker Hannifin Corporation  
**Automation Actuator Division**  
 135 Quadral Drive  
 Wadsworth, Ohio 44281  
 Telephone 330/336-3511  
 Facsimile 330/334-3335

**PM-GRIPPER-A**  
**Service Information & Parts List**  
**Issued: February 15, 1994**  
**Supersedes: March 1, 1992**

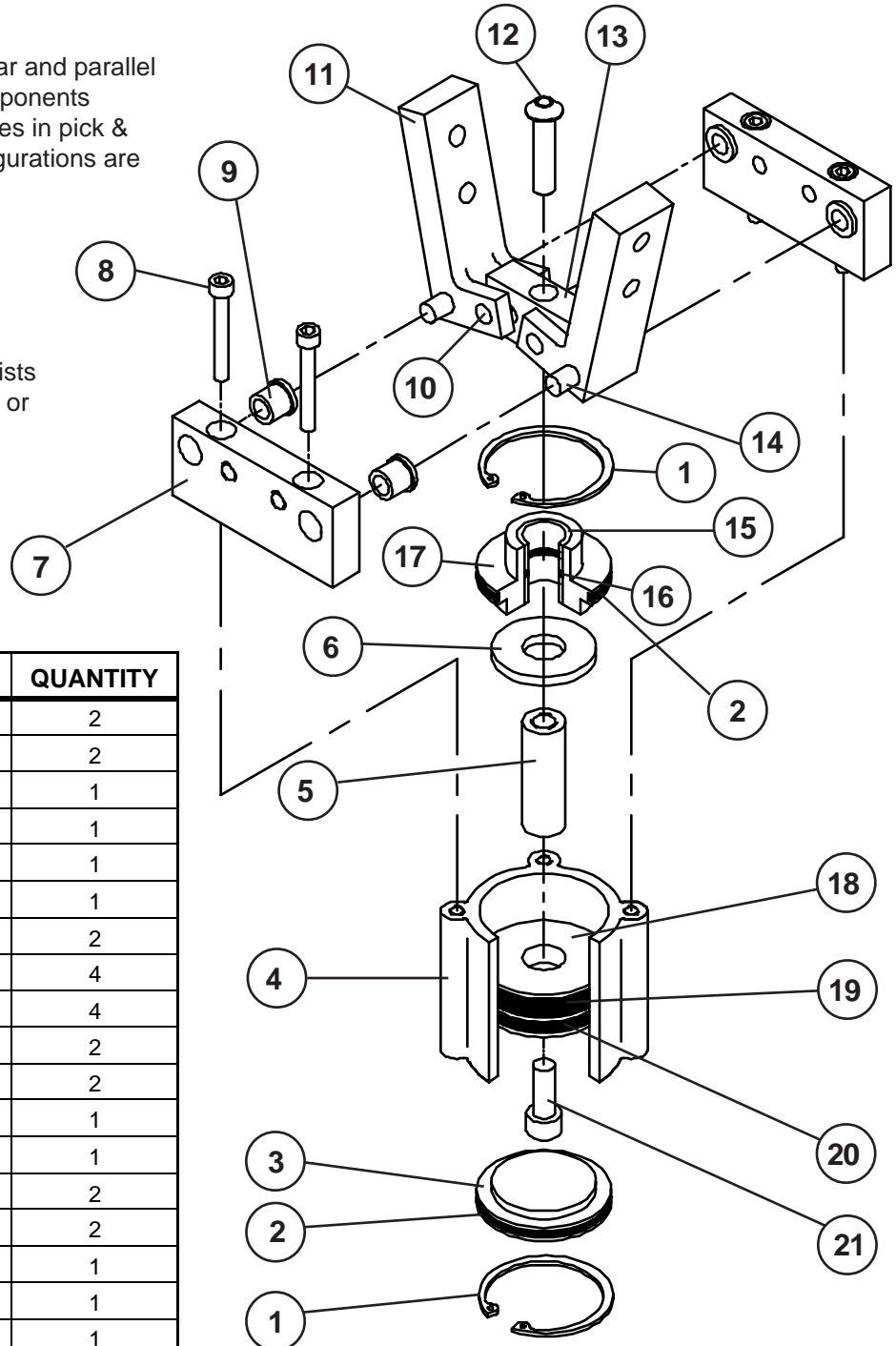
# Gripper Parts List

Provide Model Number and Serial Number When Ordering Spare Parts.

The "GA" Series and "GP" Series angular and parallel grippers are high quality pneumatic components designed for millions of trouble-free cycles in pick & place applications. Four standard configurations are available:

- GAA Series Standard Angular
- GAW Series Wide Angular
- GPS Series Psuedo Parallel
- GPT Series True Parallel

The following parts drawings and parts lists should be used in the event that service or maintenance is required.



ITEM	DESCRIPTION	QUANTITY
1	RETAINING RING	2
2	O-RING (END CAP, HEAD)	2
3	END CAP	1
4	CYLINDER BODY	1
5	PISTON ROD	1
6	BUMPER	1
7	BEARING HOUSING	2
8	BOLT, BEARING HOUSING	4
9	BEARING	4
10	DOWEL PIN	2
11	FINGER	2
12	SCREW, FINGER ASSEMBLY	1
13	CAM	1
14	DOWEL PIN	2
15	BUSHING	2
16	QUAD RING, HEAD	1
17	HEAD	1
18	PISTON	1
19	MAGNET (OPTIONAL)	1
20	QUAD RING, PISTON	1
21	PISTON BOLT	1

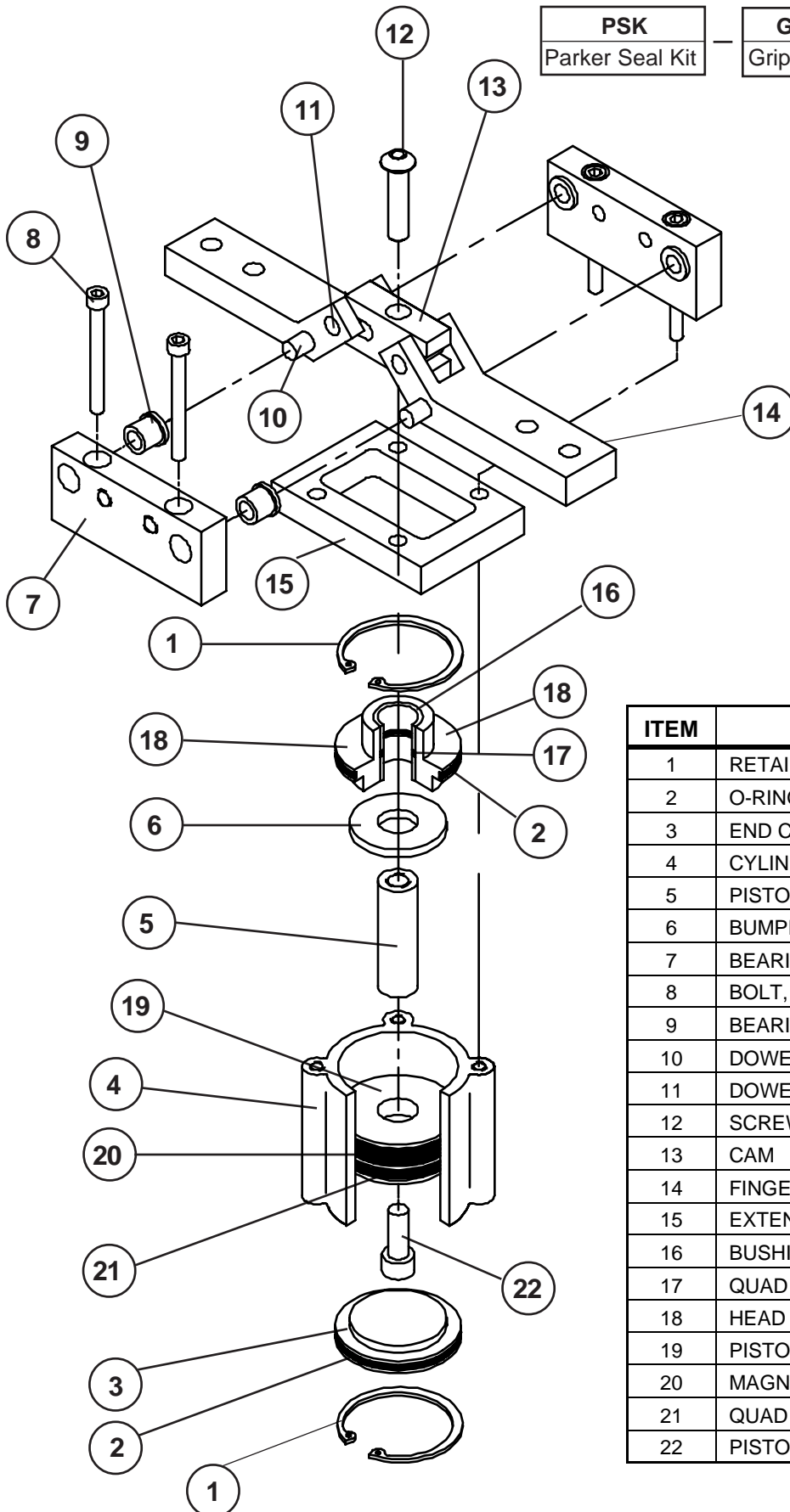
**GAA SERIES  
 ANGULAR GRIPPER**

# GAW SERIES ANGULAR GRIPPER

## SEAL KIT ORDERING INFORMATION:

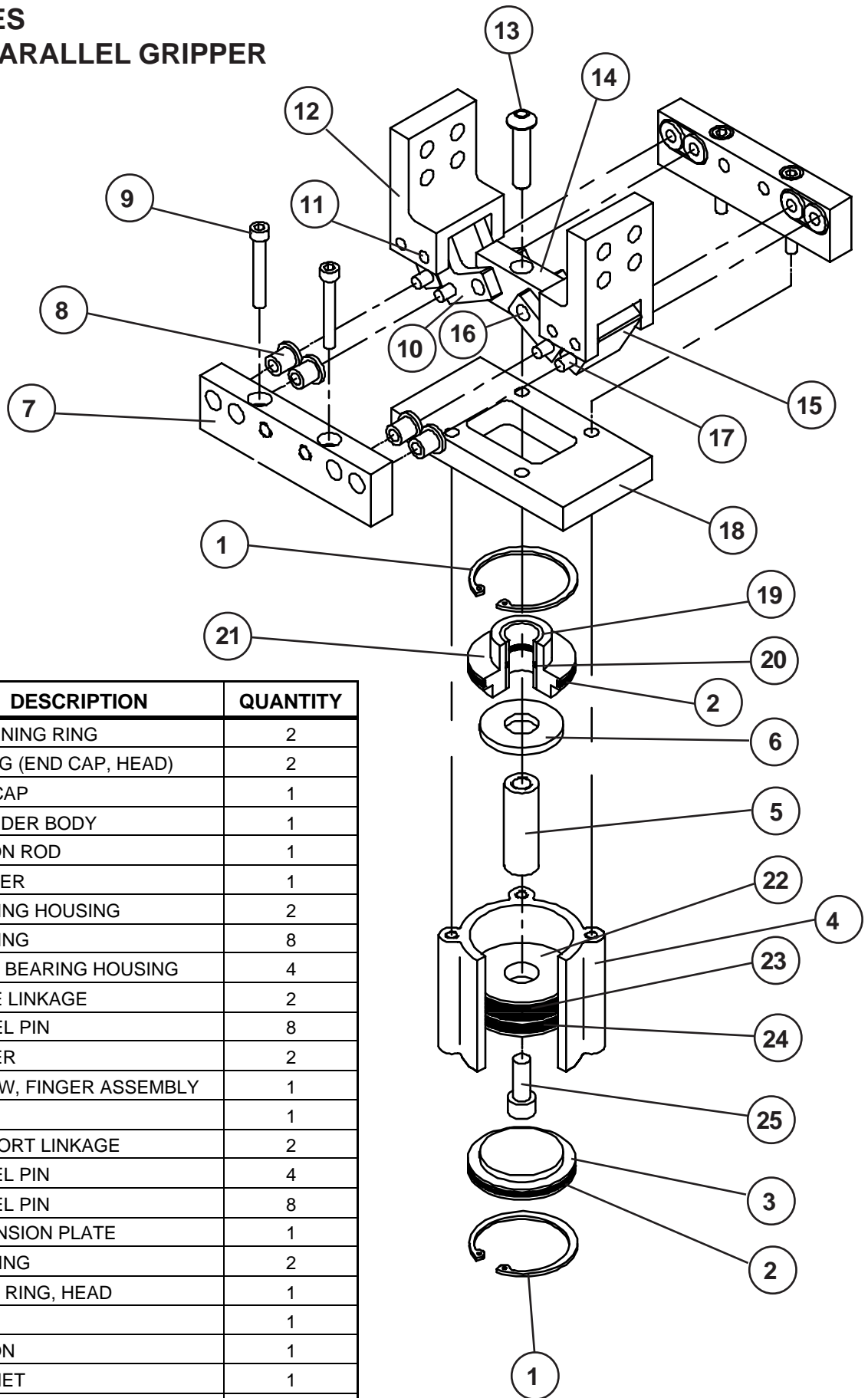
- Standard seal compound is Nitrile (Buna-N).
- Optional seal compounds, such as Viton, are available.
- Seal Kits should be ordered as follows:

<b>PSK</b>	<b>G</b>	<b>10</b>	<b>V</b>
Parker Seal Kit	Gripper	Model	Omit - Standard V - Viton



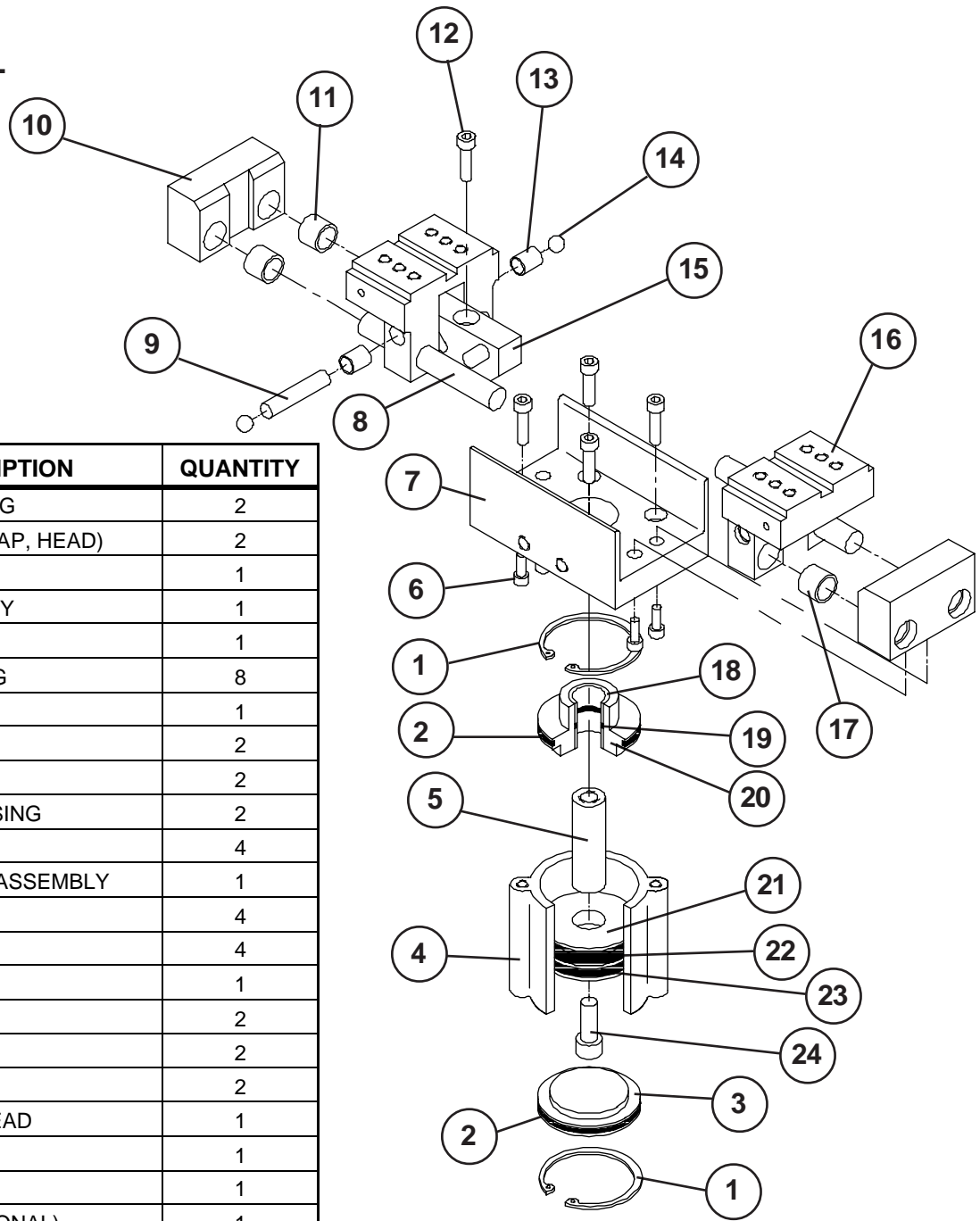
ITEM	DESCRIPTION	QUANTITY
1	RETAINING RING	2
2	O-RING (END CAP, HEAD)	2
3	END CAP	1
4	CYLINDER BODY	1
5	PISTON ROD	1
6	BUMPER	1
7	BEARING HOUSING	2
8	BOLT, BEARING HOUSING	4
9	BEARING	4
10	DOWEL PIN	2
11	DOWEL PIN	2
12	SCREW, FINGER ASSEMBLY	1
13	CAM	1
14	FINGER	2
15	EXTENSION PLATE	1
16	BUSHING	2
17	QUAD RING, HEAD	1
18	HEAD	1
19	PISTON	1
20	MAGNET (OPTIONAL)	1
21	QUAD RING, PISTON	1
22	PISTON BOLT	1

# GPS SERIES PSEUDO PARALLEL GRIPPER



ITEM	DESCRIPTION	QUANTITY
1	RETAINING RING	2
2	O-RING (END CAP, HEAD)	2
3	END CAP	1
4	CYLINDER BODY	1
5	PISTON ROD	1
6	BUMPER	1
7	BEARING HOUSING	2
8	BEARING	8
9	BOLT, BEARING HOUSING	4
10	DRIVE LINKAGE	2
11	DOWEL PIN	8
12	FINGER	2
13	SCREW, FINGER ASSEMBLY	1
14	CAM	1
15	SUPPORT LINKAGE	2
16	DOWEL PIN	4
17	DOWEL PIN	8
18	EXTENSION PLATE	1
19	BUSHING	2
20	QUAD RING, HEAD	1
21	HEAD	1
22	PISTON	1
23	MAGNET	1
24	QUAD RING, PISTON	1
25	PISTON BOLT	1

# GPT SERIES TRUE PARALLEL GRIPPER



ITEM	DESCRIPTION	QUANTITY
1	RETAINING RING	2
2	O-RING (END CAP, HEAD)	2
3	END CAP	1
4	CYLINDER BODY	1
5	PISTON ROD	1
6	BOLT, HOUSING	8
7	HOUSING	1
8	GUIDE ROD	2
9	DOWEL PIN	2
10	BEARING HOUSING	2
11	BEARING	4
12	BOLT, FINGER ASSEMBLY	1
13	BEARING	4
14	NYLON BALL	4
15	CAM	1
16	FINGER	2
17	BEARING	2
18	BUSHING	2
19	QUAD RING, HEAD	1
20	HEAD	1
21	PISTON	1
22	MAGNET (OPTIONAL)	1
23	QUAD RING, PISTON	1
24	PISTON BOLT	1

Additional information may be obtained from the Automation Actuator Division in Wadsworth, Ohio or from your nearest Parker Automation Actuator Division Distributor.

## **WARNING**

FAILURE OR IMPROPER SELECTION OR IMPROPER USE OF THE PRODUCTS AND/OR SYSTEMS DESCRIBED HEREIN OR RELATED ITEMS CAN CAUSE DEATH, PERSONAL INJURY AND PROPERTY DAMAGE.

This document and other information from Parker Hannifin Corporation, its subsidiaries and authorized distributors provide product and/or system options for further investigation by users having technical expertise. It is important that you analyze all aspects of your application and review the information concerning the product or system in the current product catalog. Due to the variety of operating conditions and applications for these products or systems, the user, through its own analysis and testing, is solely responsible for making the final selection of the products and systems and assuring that all performance, safety and warning requirements of the application are met.

The products described herein, including without limitation, product features, specifications, designs, availability and pricing, are subject to change by Parker Hannifin Corporation and its subsidiaries at any time without notice.