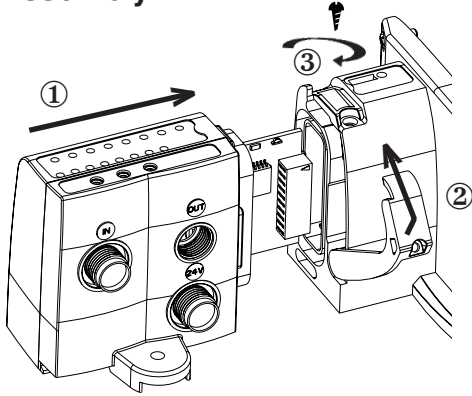
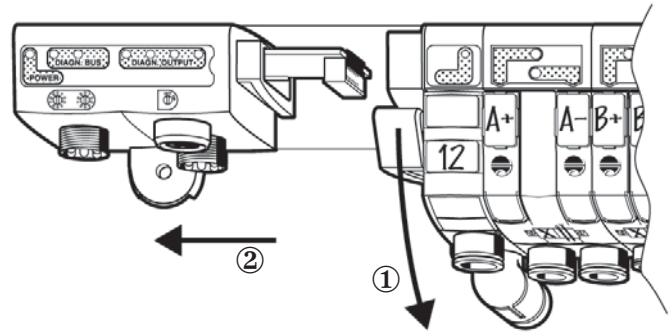


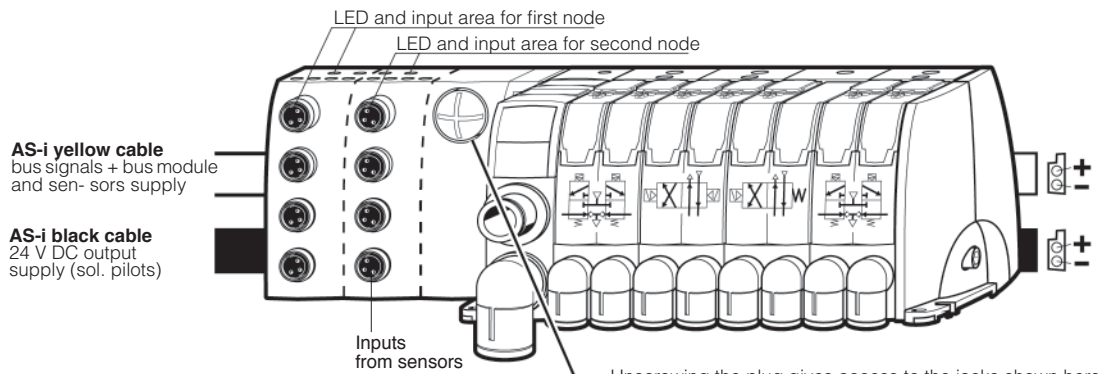
### Assembly



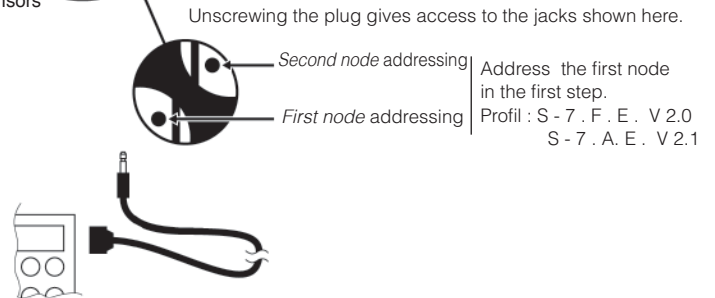
### Maintenance



### AS-i bus connection



### Bus addressing, first and second node



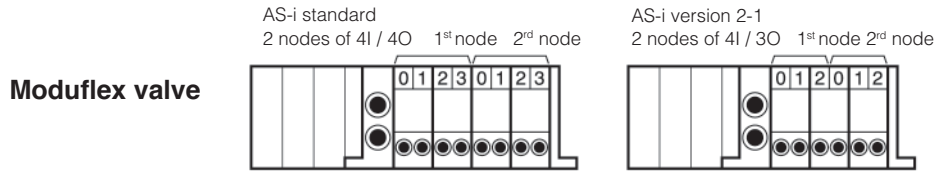
### Specifications

EMC / CE mark.	According to EN 61 000-6-2 and to EN 61 000-6-4
AS-i line	According to EN 50295
Solenoid pilot voltage	24 V DC
Module consumption	Max. 70 mA (2 slaves)
Max. supply for all inputs	240 mA (including internal input consumption)
Internal input consumption	9 mA for each active input
Inputs	According to IEC 1131-2 class 2
Ext. Output power	2,5 W

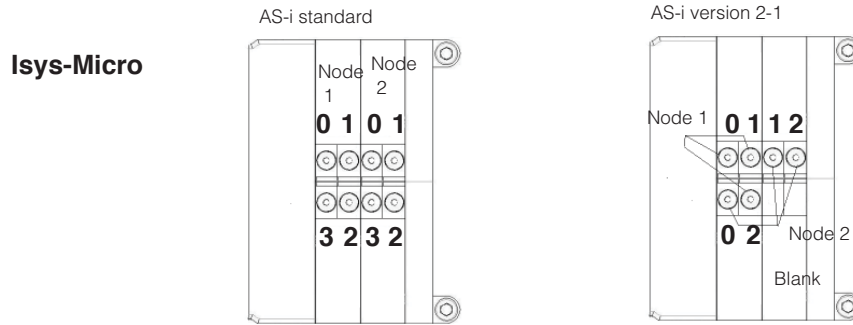


# P2M2HB · A · · · ·

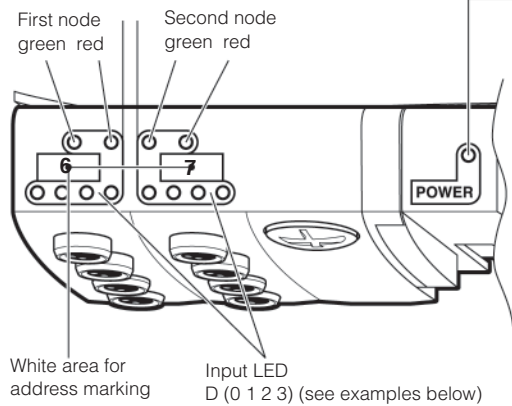
## Addressing



The extern supply shall have protective isolation in accordance with IEC 364-4-41 (PELV).



## Bus diagnostic



«Power» LED state	Off	Green	Red
<b>Power supply</b>	Sol. pilot supply	Normal operation	Solenoid overload

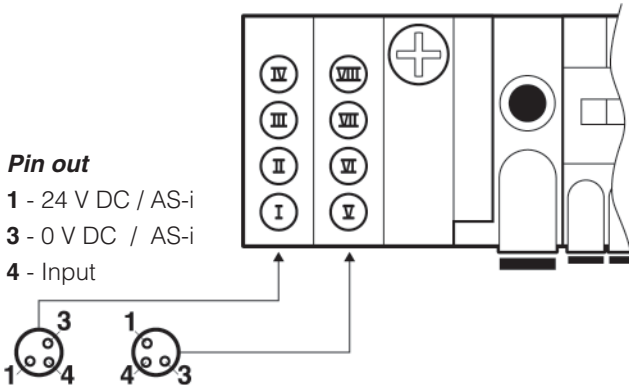
First node LEDs state		Second node LEDs state		System condition
Green LED	Red LED	Green LED	Red LED	
●	○	●	○	Normal operation
○	○	○	○	No module + sensor supply
○	●	○	●	Input overload
○	●	○	●	No AS-i communication
●	●	○	●	Address first node = 0
●	○	●	●	Address second node = 0

● ON    ○ OFF    ⚡ BLINK

## Input wiring

Physical input ( I, II, III, IV ) = D (0 1 2 3) first node,    physical input ( V, VI, VII, VIII ) = D (0 1 2 3) second node  
 Examples : physical input III = logical input 6.2,    physical input V = logical input 7.0

### M8 female connectors



### M12 female connectors

