



Pneumatic Division
Richland, Michigan 49083

VAL-SIF-136

Kneeling Module

ISSUED: April, 2007

Supersedes: October, 2006

Kneeling Module

Split System / High Boy

Features:

- Easy to Assemble
All functions integrated into lightweight aluminum body.
- Machined Aluminum Anodized Body
For high degree of protection.
- Standard Parker P2F-Solenoids and Pilot Operators
For easy installation and wiring.
- Special Sealing
Allows use in extreme temperature environments.



Technical Description

This product was developed in cooperation with different bus and motor coach builders.

The Kneeling Module is used for easy entrance of all types of buses, motor coaches and other vehicles where a kneel function is required. This module is an easy to install, lightweight aluminium manifold designed for different integrated kneeling functions. The necessary kneeling requirements of a bus or motor coach may be achieved by inflating or deflating the airbags.

Specific types of kneeling can all be obtained within this single unit . These include, split level kneeling, kneeling left, kneeling right, complete kneeling and high boy function for raising the bus or motor coach to upper position. Standard P2F Series mobile solenoids are used for electrical actuation of the integrated valves.

The solid housing with integrated valves, combined with Parker solenoids and exhaust protectors, make this integrated system a very reliable product for bus and coach applications.



Parker Hannifin Corporation

Pneumatic Division

Richland, MI

Phone: (269) 629-5000

Fax: (269) 629-5385

Web site: www.parker.com/automation/transportation



DATA SHEET: Kneeling Module

Description:

Kneeling Module, Split System / High Boy
Manifold with integrated 4 valves for different types of kneeling.

Specifications:

Flow 1.4 Cv

Port Size 1/2" NPT Air Supply,
3/8" NPT to Airbags,
1/4" NPT to Other Ports

Operating Pressure60 to 150 PSI
(4 to 10 bar)

Temperature -40°F to 158°F
(-40°C to 70°C)

Coil Voltage 12VDC and 24VDC
(Other voltages available contact factory.)

Materials:

Housing Machined Aluminum, Anodized
Covers Machined Aluminum, Anodized
Spools Machined Aluminum, Anodized
Guidance Brass
Seals NBR
Fasteners Steel Galvanized

Lubrication Factory Pre-Lubrication

Ordering Information

Kneeling Module Part Numbers

| Part Number | Voltage | Function(s) |
|-------------|--------------|---|
| KM33NDG47A | 12VDC Mobile | • Front / Rear Kneel Only |
| KM33NDG48A | 24VDC Mobile | • Complete Kneel Only |
| KM33NDNXXA | Less Coil | • High Boy |
| KM44NDG47A | 12VDC Mobile | • Front, Rear, and Complete Kneel • Front / Rear or Side to Side Kneel |
| KM44NDG48A | 24VDC Mobile | |
| KM44NDNXXA | Less Coil | |

Solenoid Kits

| Voltage | Solenoid Kit 18" Flying Leads |
|---------|----------------------------------|
| 12VDC | P2FCG447 |
| 24VDC | P2FCG448 |

Operator Kits

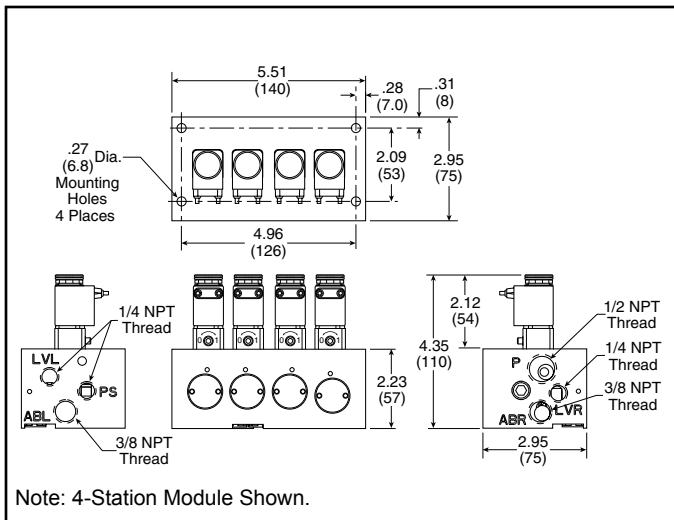
| | |
|-------------------------------|-----------|
| Extended Non-locking Override | P2FP13H4D |
| No Override | P2FP13H4A |

Seal Kit

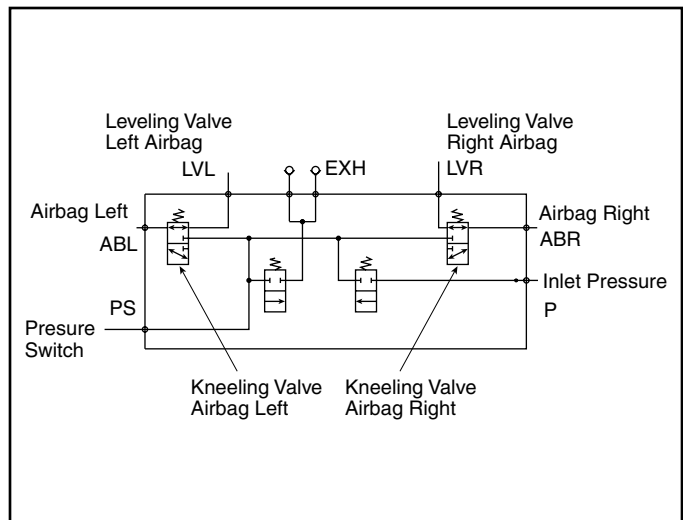
| | |
|----------------------------------|----------|
| Poppet, Spring & O-ring Seal Kit | KM33K84P |
|----------------------------------|----------|

Note: Seal Kit contains enough components to replace a single station of the kneeling module.

Dimensions:



Schematic:



Parker Hannifin Corporation

Pneumatic Division

Richland, MI

Phone: (269) 629-5000

Fax: (269) 629-5385

Web site: www.parker.com/automation/transportation

