



Pneumatic Division
Richland, Michigan 49083

FRL-SIF-100
Mobile Pressure Switch

ISSUED: February, 2004
Supersedes: None

Mobile Pressure Switch

P04159 – Normally Closed

P04160 – Normally Open

Features:

- Inline Mounting
- 4 Amp Rated Snap Action Micro Switch
- Brass Body
- Compact Size
- Spade Electrical Connection
- Field Adjustable 15 to 150 PSIG
- Rubber Boot Protection
- $\pm 5\%$ Repeatability @ 70°F (20°C) Ambient Temperature
- Temperature Range -40°F to 220°F (-40°C to 105°C)



Applications

These Pressure Switches are intended for use in mobile, general-purpose, compressed air systems. Product is suitable for all trailer air-ride systems, truck suspension systems, associated bus door systems, and electro-pneumatic operations. The performance requirements and reliability are suitable for the extreme cold weather environment of North American winters.

Operation

The pressure switch monitors air pressure and provides an electrical output when the pressure drops below or exceeds an adjustable preset pressure.

Adjust the pressure switch using a flat head screwdriver; turn adjustment screw clockwise to increase set point or counterclockwise to decrease set point.



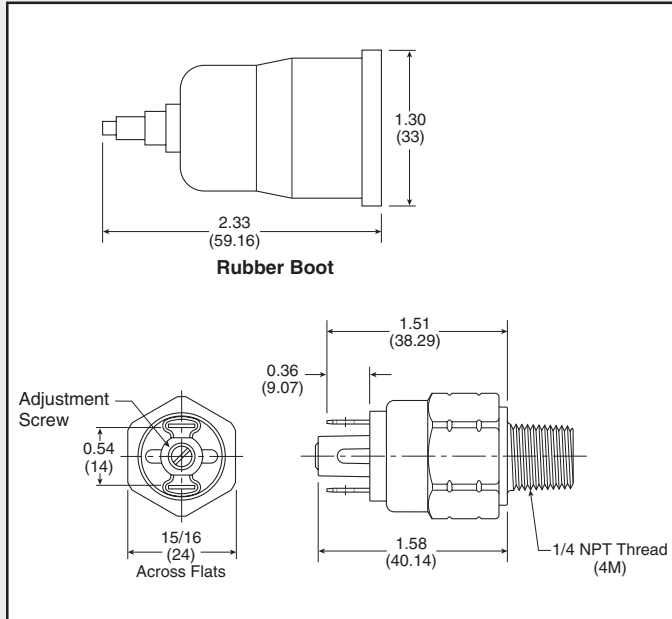
Parker Hannifin Corporation
Pneumatic Division
Richland, MI
Phone: (269) 629-5000
Fax: (269) 629-5385
Web site: www.parker.com/automation/transportation



DATA SHEET

Pressure Switch

Dimensions



Specifications

Switch Position

P04159 Normally Closed
 P04160 Normally Open

Electrical Rating 100VA

Electrical Life 4 Amp in Rush @ 12VDC
 >2,000,000 Cycles

Maximum Inlet Pressure 300 PSIG (20 bar)

Mechanical Life >2 x 10⁶ @ 75 PSIG (5 bar)

Electrical Connection 1/4 x 1/32 Spade

Electrical Protection Rubber Boot

Repeatability ±5% @ 70°F (20°C)

Ambient & Medium

Temperature Range -40°F to 220°F
 (-40°C to 105°C)

Weight 0.14 lb. (0.06 Kg)

Kits and Accessories

Rubber Boot P04161

Material and Construction

Diaphragm Kapton

Housing Brass



Parker Hannifin Corporation
 Pneumatic Division
 Richland, MI
 Phone: (269) 629-5000
 Fax: (269) 629-5385
 Web site: www.parker.com/automation/transportation

