

Silencers

Protect the environment against harmful noise levels with quality silencers.



Silencer Ordering Information

For generator series	Male connection	Part number
CV-05, CV-10	G1/8"	MSS-01
CV-05, CV-10	G1/8"	MSS-02
CV-15, MCA-10/13	G1/4"	MSM-01
CV-20	G1/2"	MSL-02
CV-25, CV-30	G3/4"	MS6-01

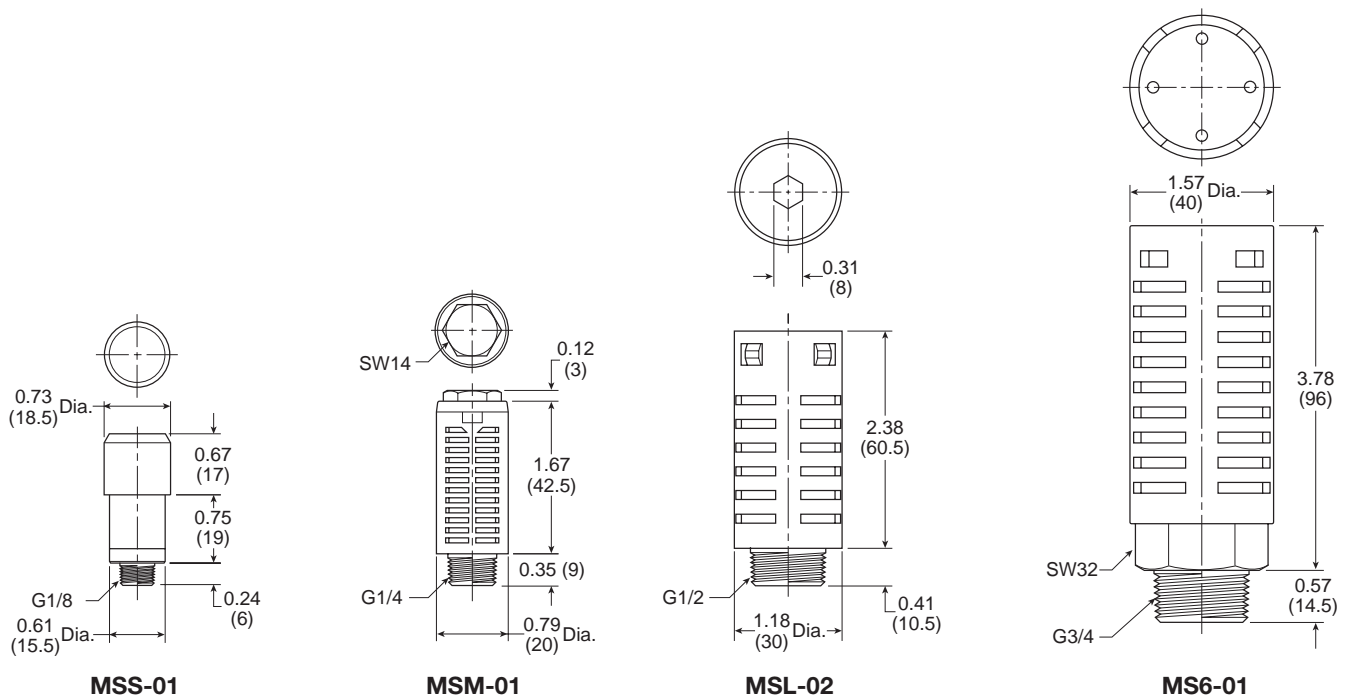
Operating information

Media:	Non-corrosive air
Maximum pressure:	128 PSI
Operating temperature:	41°F to 132°F (5°C to 55.5°C)
Silencing effect:	20 dB

Material specifications

Part number	Material housing	Material element	Media	Weight (oz.)
MSS-01	Polyacetal	Felt, Urethane	Air	0.17
MSS-02	Polyacetal	Stainless steel	Oil	0.17
MSM-01	Polyurethane	Felt	Air	0.24
MSL-02	Nylon	Vinyl	Air	0.88
MS6-01	Nylon	Polyvinyl Forma	Air	2.01

Dimensions



Most popular.

