



Air Preparation Products

Global

Prep-Air II

Miniature

P3N

General Industrial

Stainless Steel

Precision / Proportional

Bulk Liquid Separators

## R119 General Industrial Regulators

- Rugged design for the most demanding applications
- Ideal for those installations calling for constant pressure with wide variation in flow
- Diaphragm operated design with balanced poppet design for quick and accurate regulation
- Secondary aspiration plus balanced poppet provides quick response and accurate pressure regulation
- Heavy duty tee handle adjustment
- Reverse flow version available
- Panel mount version available



**R119**

### Operating information

Supply pressure rating:	300 PSIG (20.4 bar)
Reduced pressure range:	2 to 125 PSIG (0.15 to 8.5 bar)
Temperature rating:	40°F to 125°F (4.4°C to 52°C)

### R119 Standard Regulators



Port size	Flow (SCFM)	Part number (NPT), Relieving	
		Without gauge	With 125 PSI gauge
1/4"	100	<b>R119-02C/M2</b>	<b>R119-02CG/M2</b>
3/8"	110	<b>R119-03C/M2</b>	<b>R119-03CG/M2</b>
1/2"	150	<b>R119-04C/M2</b>	<b>R119-04CG/M2</b>

### Material specifications

Description	R119
Adjusting screw, springs	Steel
Body, spring cage	Zinc
Bottom plug	Brass
Seals	Buna N



#### WARNING

Product rupture can cause serious injury.  
 Do not connect regulator to bottled gas.  
 Do not exceed maximum primary pressure rating.

#### CAUTION:

##### REGULATOR PRESSURE ADJUSTMENT -

The working range of knob adjustment is designed to permit outlet pressures within their full range. Pressure adjustment beyond this range is also possible because the knob is not a limiting device. This is a common characteristic of most industrial regulators, and limiting devices may be obtained only by special design. For best performance, regulated pressure should always be set by increasing the pressure up to the desired setting.

Most popular.

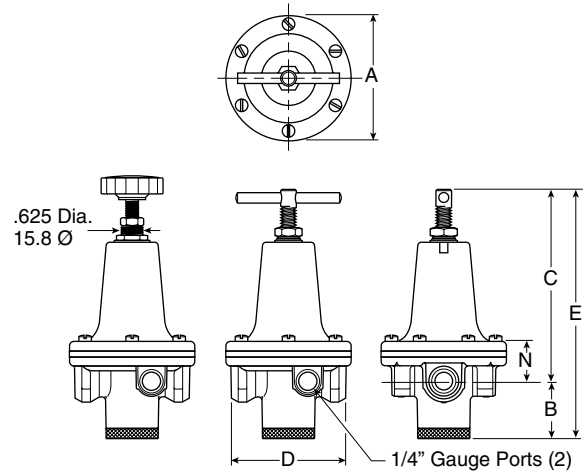


**Dimensions**

**R119 Regulator - Standard**

A	B	C	D	E	N
<b>R119-02C, R119-03C</b>					
3.00 (76)	1.38 (35)	5.29 (134)	2.74 (70.5)	6.67 (169)	.90 (24)
<b>R119-04C</b>					
3.56 (90)	1.56 (40)	5.34 (136)	3.25 (83)	6.90 (175)	1.45 (37)

inches (mm)



**Service kits**

Description		Part number
Gauges – 50mm (2") round 1/4" center back mount	2" dial size, 1/4" back connection, 0 to 60 PSIG (0 to 400 kPa)	<b>K4520N14060</b>
	2" dial size, 1/4" back connection, 0 to 160 PSIG (0 to 1100 kPa)	<b>K4520N14160</b>
	2" dial size, 1/4" back connection, 0 to 300 PSIG (0 to 2068 kPa)	<b>K4520N14300</b>
44mm (1-3/4") digital round 1/4" center back mount	0-160 PSIG / 0-11 bar / 0-1.1 MPa	<b>K4517N14160D</b>
	Mounting bracket kits –	1/4", 3/8" 1/2"
Panel mount conversion kits –	1/4", 3/8"	<b>4202</b>
	1/2"	<b>4204</b>
Repair kits –	Non-relieving diaphragm, valve assembly (1/4", 3/8"; All PSIG)	<b>RK118Y</b>
	Relieving diaphragm, valve assembly (1/4", 3/8"; All PSIG)	<b>RK119Y</b>
	Non-relieving diaphragm, valve assembly (1/2"; 25, 60, 125 PSIG)	<b>RK118A</b>
	Non-relieving diaphragm, valve assembly (1/2"; 250 PSIG)	<b>RK118A250</b>
	Relieving diaphragm, valve assembly (1/2"; 25, 60, 125 PSIG)	<b>RK119A</b>
	Relieving diaphragm, valve assembly (1/2"; 250 PSIG)	<b>RK119A250</b>
Spring cage & t-handle kit	1/4", 3/8"	<b>RKC119Y</b>
Spring cage & insert only kit	1/2"	<b>SAC18A3/BK</b>

For fluorocarbon repair kits, add X64 to kit number suffix.



Air Preparation Products

Global

Prep-Air II

Miniature

P3N

General Industrial

Stainless Steel

Precision / Proportional

Bulk Liquid Separators