

## Stainless Steel Filters

The range of Stainless Steel FRLs are ideal for use in the food industry, the petrochemical or process industries or any application in a particularly harsh or aggressive environment.

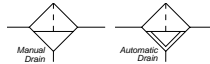
- Stainless steel construction handles most corrosive environments
- Fluorocarbon seals standard
- Meets NACE specifications MR-01-75/ISO 15156
- 1/8" female threaded drain





### Operating information

		PF504	PF10	PF501	PF11
Operating pressure:	Twist drain	0 to 300 PSIG (0 to 20.7 bar)	0 to 300 PSIG (0 to 20.7 bar)	0 to 300 PSIG (0 to 20.7 bar)	0 to 300 PSIG (0 to 20.7 bar)
	Auto drain	10 to 175 PSIG (0 to 12 bar)	10 to 175 PSIG (0 to 12 bar)	10 to 175 PSIG (0 to 12 bar)	10 to 175 PSIG (0 to 12 bar)
Operating temperature:	Twist drain	0°F to 180°F (-18°C to 82°C)	0°F to 180°F (-18°C to 82°C)	0°F to 180°F (-18°C to 82°C)	0°F to 180°F (-18°C to 82°C)
	Auto drain	32°F to 150°F (0°C to 66°C)	32°F to 150°F (0°C to 66°C)	32°F to 150°F (0°C to 66°C)	32°F to 150°F (0°C to 66°C)
Flow / SCFM (dm³/s):		23 (10.85)	70 (33.04)	16 (7.55)	45 (21.24)



### Particulate Filters



		Port Size	Flow SCFM (dm³/s)	Standard filtration	Part number manual drain	Part number auto drain
		1/4	23 (10.85)	20 µ	<b>PF504-02DHSS</b>	<b>PF504-02DHRSS</b>
1/2	70 (33.04)	40 µ	<b>PF10-04WJSS</b>	<b>PF10-04WJRSS</b>		

### Coalescing Filters



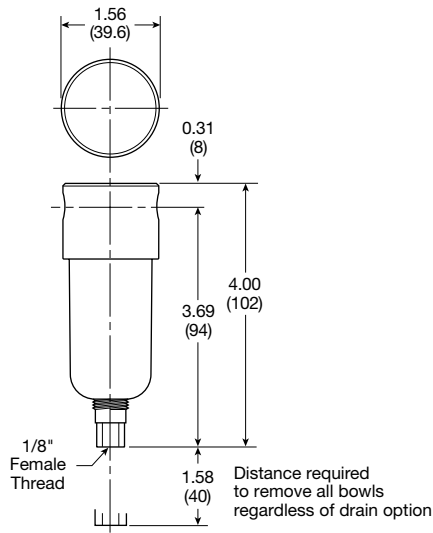
		Port Size	Flow SCFM (dm³/s)	Standard filtration	Part number manual drain	Part number auto drain
		1/4	16 (7.55)	.3 µ	<b>PF501-02DHSS</b>	<b>PF501-02DHRSS</b>
1/2	45 (21.24)	.01 µ	<b>PF11-04WJSS</b>	<b>PF11-04WJRSS</b>		

### Service kits

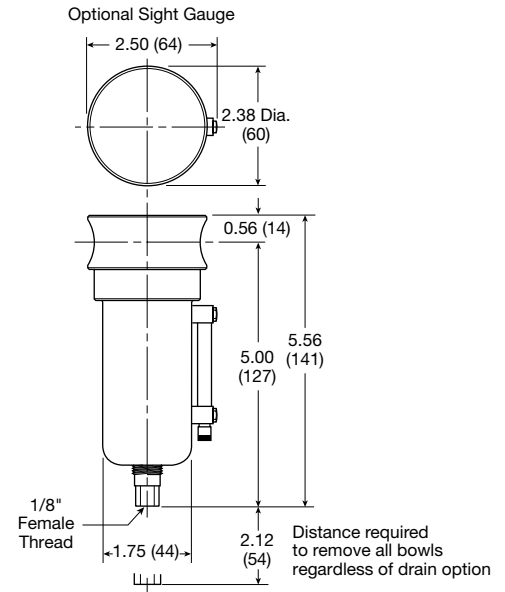
Description	PF504	PF10	PF501	PF11
Drain kit -	automatic pulse	<b>RK504SY-SS</b>		<b>RK504SY-SS</b>
	automatic float		<b>SA10MDSS</b>	<b>SA10MDSS</b>
	manual twist, small (old)	<b>SA600Y7-1SS</b>	<b>SA600Y7-1SS</b>	<b>SA600Y7-1SS</b>
	manual twist, large (new)	<b>SAP05481</b>	<b>SAP05481</b>	<b>SAP05481</b>
Filter element -	5 micron (particulate)	<b>EK504VY</b>	<b>EK55J</b>	
	20 micron (particulate)	<b>EK504Y</b>		
	40 micron (particulate)		<b>EK55G</b>	
	0.3 micron (coalescing)			<b>EK501H</b>
	0.01 micron (coalescing)			
Pipe nipple	<b>616Y28-SS</b>	<b>616A28-SS</b>	<b>616Y28-SS</b>	<b>616A28-SS</b>

 Most popular.

**PF504 / PF501**



**PF10 / PF11**



**Specifications**

Description	PF504	PF10	PF501	PF11
Filter rating	20 micron	40 micron	0.3 micron	0.01 micron
Port threads	1/4	1/2	1/4	1/2
Weight	0.6 lb. (0.27 kg)	1.9 lb. (0.85 kg)	0.6 lb. (0.27 kg)	1.9 lb. (0.85 kg)

**Material specifications**

Description	PF504	PF10	PF501	PF11
Body	316 stainless steel	316 stainless steel	316 stainless steel	316 stainless steel
Bowls	316 stainless steel	316 stainless steel	316 stainless steel	316 stainless steel
Deflector	Acetal	Acetal		
Drain	316 stainless steel	316 stainless steel	316 stainless steel	316 stainless steel
Element holder	Acetal	Acetal	Acetal	Acetal
Filter element	Polyethylene	Polyethylene	Borosilicate fiber	Borosilicate fiber
Seals	Fluorocarbon	Fluorocarbon	Fluorocarbon	Fluorocarbon
Sight gauge		Isoplast		Isoplast



Air Preparation Products

Global

Prep-Air II

Miniature

P3N

General Industrial

Stainless Steel

Precision / Proportional

Bulk Liquid Separators