

## Global Modular Coalescing & Adsorber Filters

- Integral 1/4", 3/8", 1/2", 3/4" ports (NPT, BSPP & BSPT)
- Removes liquid aerosols and sub micron particles
- Oil free air for critical applications, such as air gauging, pneumatic instrumentation and control
- Positive bayonet latch to ensure correct & safe fitting
- Adsorbing activated carbon element removes oil vapors and most hydrocarbons

**Note:** To optimize the life of coalescing element, it is advisable to install a pre-filter with a 5 micron element upstream of the coalescing filter. To optimize the life of an Adsorber it is advisable to install a Coalescing Filter upstream of the Adsorber. Adsorber element should be replaced approximately every 1000 hours of service.



### Operating information

	P31 (Mini)	P32 (Compact)	P33 (Standard)
Supply pressure (max):			
Plastic Bowl	10 bar (150 PSIG)	10 bar (150 PSIG) <sup>§</sup>	10 bar (150 PSIG) <sup>§</sup>
Metal Bowl	17 bar (250 PSIG)	10 bar (150 PSIG) <sup>§</sup>	10 bar (150 PSIG) <sup>§</sup>
Operating temperature:			
Plastic Bowl	-10°C to 52°C (14°F to 125°F)	-25°C to 52°C (-13°F to 125°F)	-25°C to 52°C (-13°F to 125°F)
Metal Bowl	-10°C to 65.5°C (14°F to 150°F)	-25°C to 65.5°C (-13°F to 150°F)	-25°C to 65.5°C (-13°F to 150°F)
Standard filtration:	1.0 and 0.01 micron	1.0 and 0.01 micron	1.0 and 0.01 micron
Flow Capacity:			
1.0 Micron Coalescing –			
Energy Efficient Flow*	3.8 dm <sup>3</sup> /s (8 SCFM)	17 dm <sup>3</sup> /s (36 SCFM)	32 dm <sup>3</sup> /s (68 SCFM)
Maximum Flow**	6 dm <sup>3</sup> /s (13 SCFM)	27 dm <sup>3</sup> /s (57 SCFM)	44 dm <sup>3</sup> /s (93 SCFM)
0.01 Micron Coalescing –			
Energy Efficient Flow*	2 dm <sup>3</sup> /s (4.2 SCFM)	11 dm <sup>3</sup> /s (23 SCFM)	20 dm <sup>3</sup> /s (42 SCFM)
Maximum Flow**	3.8 dm <sup>3</sup> /s (8 SCFM)	28 dm <sup>3</sup> /s (38 SCFM)	34 dm <sup>3</sup> /s (72 SCFM)
Activated Carbon Adsorber			
Rated Flow*:	6 dm <sup>3</sup> /s (13 SCFM)	27 dm <sup>3</sup> /s (57 SCFM)	44 dm <sup>3</sup> /s (93 SCFM)

\* Inlet pressure 6.3 bar (91.3 PSIG), pressure drop 0.2 bar (3 PSIG) saturated element.  
 \*\* Inlet pressure 6.3 bar (91.3 PSIG), pressure drop 0.4 bar (6 PSIG) saturated element.  
 § Without pressure indicator (DPI) – max. supply pressure for metal bowl version is 17 bar (250 psig).  
 For Flow Curve Charts please see page E35.

### Ordering information

**P31F A 9 2 C G M N**

<b>Basic series</b>	<b>Engr level</b>	<b>Thread type</b>	<b>Port size</b>	<b>Drain type</b>	<b>Bowl type</b>	<b>Element</b>
Global modular mini coalescing filter P31	Current A	BSPP 1	1/4 (P31, P32) 2	M Manual drain	G Poly bowl with bowl guard	C 0.01µ Element
Global modular compact coalescing filter P32		BSPT 2	3/8 (P32) 3	A Auto drain (P32, P33)	M Metal bowl without sight gauge	D 0.01µ Element with DPI
Global modular standard coalescing filter P33		NPT 9	1/2 (P32, P33) 4	B Pulse drain (P31)	S* Metal bowl with sight gauge	9 1µ Element
			3/4 (P33) 6			Q 1µ Element with DPI
						A Adsorber

**Mounting**  
N No bracket

**Element**  
C 0.01µ Element  
D 0.01µ Element with DPI  
9 1µ Element  
Q 1µ Element with DPI  
A Adsorber

\* Not available with P31 Series.

**Bold items are most common.**

**Coalescing and Adsorber Filters,**



(1 micron and adsorber elements available)



Port size	Bowl type	Drain type	Element type	Part number		
				P31	P32	P33
1/4"	Poly	Manual	0.01 micron	<b>P31FA92CGMN</b>	<b>P32FA92DGMN</b>	
1/4"	Poly	Pulse	0.01 micron	<b>P31FA92CGBN</b>		
1/4"	Poly	Auto	0.01 micron		<b>P32FA92DGAN</b>	
1/4"	Metal	Manual	0.01 micron	<b>P31FA92CMMN</b>	<b>P32FA92DSMN</b>	
1/4"	Metal	Pulse	0.01 micron	<b>P31FA92CMBN</b>		
1/4"	Metal	Auto	0.01 micron		<b>P32FA92DSAN</b>	
3/8"	Poly	Manual	0.01 micron		<b>P32FA93DGMN</b>	
3/8"	Poly	Auto	0.01 micron		<b>P32FA93DGAN</b>	
3/8"	Metal	Manual	0.01 micron		<b>P32FA93DSMN</b>	
3/8"	Metal	Auto	0.01 micron		<b>P32FA93DSAN</b>	
1/2"	Poly	Manual	0.01 micron		<b>P32FA94DGMN</b>	<b>P33FA94DGMN</b>
1/2"	Poly	Auto	0.01 micron		<b>P32FA94DGAN</b>	<b>P33FA94DGAN</b>
1/2"	Metal	Manual	0.01 micron		<b>P32FA94DSMN</b>	<b>P33FA94DSMN</b>
1/2"	Metal	Auto	0.01 micron		<b>P32FA94DSAN</b>	<b>P33FA94DSAN</b>
3/4"	Poly	Manual	0.01 micron			<b>P33FA96DGMN</b>
3/4"	Poly	Auto	0.01 micron			<b>P33FA96DGAN</b>
3/4"	Metal	Manual	0.01 micron			<b>P33FA96DSMN</b>
3/4"	Metal	Auto	0.01 micron			<b>P33FA96DSAN</b>

**Service kits**

Description		P31	P32	P33
Plastic bowl / bowl guard	Manual drain	<b>P31KA00BGM</b>	<b>P32KA00BGM</b>	<b>P33KA00BGM</b>
	Pulse drain	<b>P31KA00BGB</b>		
	Auto drain		<b>P32KA00DA</b>	<b>P32KA00DA</b>
Metal bowl w/o sight gauge	Manual drain	<b>P31KA00BMM</b>		
	Pulse drain	<b>P31KA00BMB</b>		
	Auto drain		<b>P32KA00DA</b>	<b>P32KA00DA</b>
Metal bowl / sight gauge	Manual drain		<b>P32KA00BSM</b>	<b>P33KA00BSM</b>
	Auto drain		<b>P32KA00DA</b>	<b>P32KA00DA</b>
Filter element	1µ coalescing	<b>P31KA00ES9</b>	<b>P32KA00ES9</b>	<b>P33KA00ES9</b>
	0.01µ coalescing	<b>P31KA00ESC</b>	<b>P32KA00ESC</b>	<b>P33KA00ESC</b>
	Activated carbon adsorber	<b>P31KA00ESA</b>	<b>P32KA00ESA</b>	<b>P33KA00ESA</b>
C-bracket	Fits to body	<b>P31KA00MW</b>		
L-bracket	Fits to body		<b>P32KA00ML</b>	<b>P33KA00ML</b>
T-bracket	Fits to body connector		<b>P32KA00MB</b>	<b>P32KA00MB</b>
	With body connector	<b>P31KA00MT</b>	<b>P32KA00MT</b>	<b>P32KA00MT</b>
Body connector		<b>P31KA00CB</b>	<b>P32KA00CB</b>	<b>P32KA00CB</b>
Differential pressure indicator (replacement)		<b>P31KA00RQ</b>	<b>P32KA00RQ</b>	<b>P32KA00RQ</b>

Most popular.



Air Preparation Products

Global

Prep-Air II

Miniature

P3N

General Industrial

Stainless Steel

Precision / Proportional

Bulk Liquid Separators



Air Preparation Products

Global

Prep-Air II

Miniature

P3N

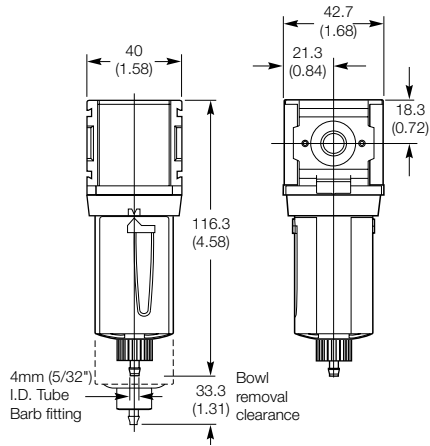
General Industrial

Stainless Steel

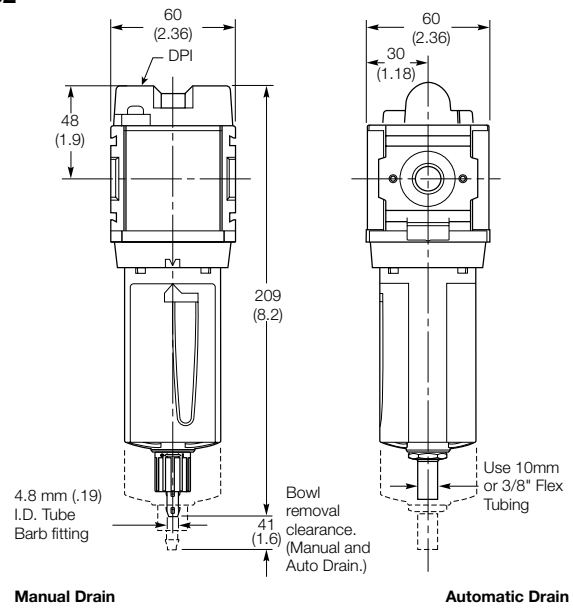
Precision / Proportional

Bulk Liquid Separators

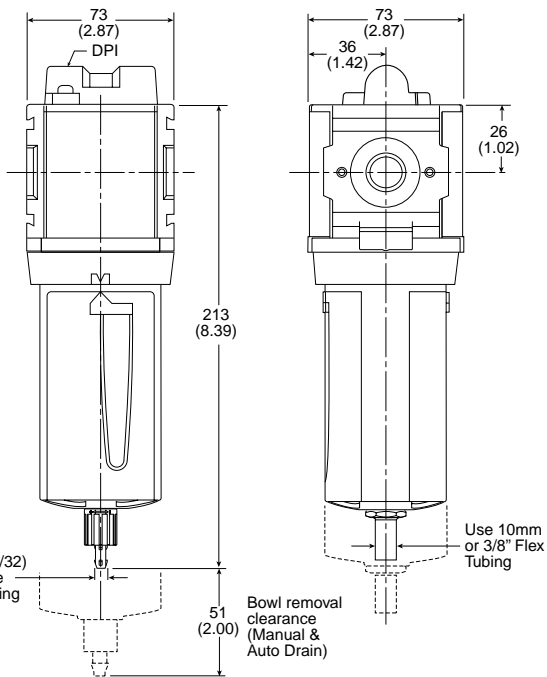
**P31**



**P32**



**P33**



**Material specifications**

Description	P31	P32	P33
Body	Aluminum	Aluminum	Aluminum
Body cap	N/A	N/A	ABS
Bowl	Plastic bowl	Polycarbonate	Polycarbonate
	Metal bowl	Aluminum	Aluminum
Bowl guard	Nylon	Nylon	Nylon
Filter element	Borosilicate cloth, 1.0 and .01 micron	Borosilicate cloth, 1.0 and .01 micron	Borosilicate cloth, 1.0 and .01 micron
Adsorber	Activated carbon	Activated carbon	Activated carbon
Seals	Nitrile	Nitrile	Nitrile
Sight gauge	Metal bowl	N/A	Polycarbonate

