



Air Preparation Products

Global

Prep-Air II

Miniature

P3N

General Industrial

Stainless Steel

Precision / Proportional

Bulk Liquid Separators

## High Precision Regulators

- Control sensitivity of .250" (.010 PSIG) (.64 cm) water column variation allows use in precision applications
- A compensating diaphragm lets the regulator remain unaffected by supply pressure changes
- Flow of up to 40 SCFM with 100 PSIG supply allows use in applications with high flow requirements
- An aspirator tube compensates downstream pressure droop under flow conditions
- A separate control chamber isolates the diaphragm from the main flow to eliminate hunting and buzzing
- Unit construction lets you service the regulator without removing it from the line



**P3RA302 Series**

### Operating information

Supply pressure:	250 PSIG (17.2 bar), (1700 kPa) max
Ambient temperature:	-40°F to 200°F (-40°C to 93°C)
Sensitivity:	.250" (.010 PSIG) (.64 cm) water column
Flow capacity:	40 SCFM (68 m <sup>3</sup> /HR) @ 100 PSIG, (7.0 bar), (700 kPa) supply and 20 PSIG, (1.5 bar), (150 kPa) setpoint
Exhaust capacity:	2.0 SCFM (3.4 m <sup>3</sup> /HR) where downstream pressure is 5 PSIG, (.35 bar), (35 kPa) above 20 PSIG, (1.5 bar), (150 kPa) setpoint
Supply pressure effect:	Less than 0.2 PSIG, (.014 bar), (.14 kPa) for 100 PSIG, (7.0 bar), (700 kPa) change in supply pressure
Hazardous locations:	Acceptable for use in zones 1 and 2 for gas atmosphere: Groups IIA and IIB and zones 21 and 22 for dust atmospheres

### P3RA302 Compact High Precision Regulator



Port size	Spring	Part number
1/4"	0.5 to 30 PSIG	<b>P3RA30232</b>
1/4"	1 to 60 PSIG	<b>P3RA30242</b>
1/4"	2 to 100 PSIG	<b>P3RA30252</b>

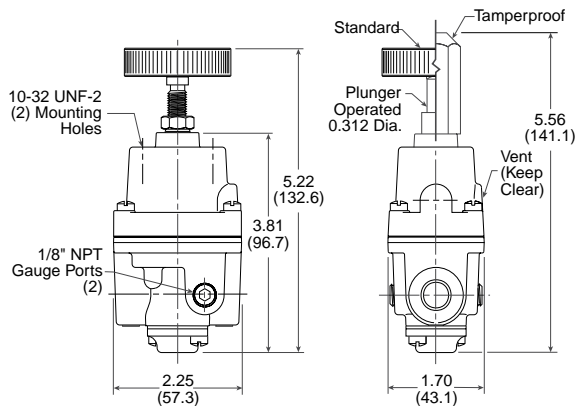
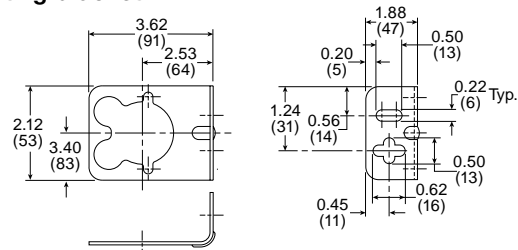
### Service kits

Service kit	Nitrile, standard	<b>PS16116-13</b>
	Nitrile, non-relieving	<b>PS16116-14</b>
Tamper resistant kit		<b>PS12163</b>
Mounting bracket kit		<b>PS417BP</b>

### Material specifications

Body and housing	Aluminum
Diaphragms	Nitrile on dacron
Trim	Brass

### Mounting bracket



#### WARNING

**Product rupture can cause serious injury.  
 Do not connect regulator to bottled gas.  
 Do not exceed maximum primary pressure rating.**

#### CAUTION: REGULATOR PRESSURE ADJUSTMENT -

The working range of knob adjustment is designed to permit outlet pressures within their full range. Pressure adjustment beyond this range is also possible because the knob is not a limiting device. This is a common characteristic of most industrial regulators, and limiting devices may be obtained only by special design. For best performance, regulated pressure should always be set by increasing the pressure up to the desired setting.

Most popular.

