



Air Preparation Products

Global

Prep-Air II

Miniature

P3NL

General Industrial

Stainless Steel

Precision / Proportional

Bulk Liquid Separators

P3NL Hi-Flow Mist Lubricators

- Port blocks (PB) available to provide 1-1/2" port extension to 1" ported bodies
- Proportional oil delivery over a wide range of air flows
- Bowl can be filled while air line is under pressure
- Transparent sight dome for 360° visibility
- 3/4", 1" & 1-1/2" ports (NPT & BSPP)



Material specifications


Body	Aluminum
Bowls	Aluminum
Drains – twist (optional)	Plastic
Injector meter block & base assembly	Plastic
Seals	Nitrile
Sight dome	Polycarbonate
Sight gauge	Polyamide (Nylon)

Operating information

Pressure ratings: 0 to 250 PSIG (0 to 17.2 bar)
 Temperature rating: 32°F to 175°F (0°C to 80°C)
 Flow capacity: 3/4" – 240 SCFM
 1" – 250 SCFM
 1-1/2" – 260 SCFM
 Minimum Flow for Lubrication: 6.6 SCFM at 100 PSIG
 Suggested lubricant: F442 oil
 Petroleum based oil of 100 to 200 SSU viscosity at 100°F (38°C) and an aniline point greater than 200°F (93°C)
 (DO NOT USE OILS WITH ADDITIVES, COMPOUNDED OILS CONTAINING SOLVENTS, GRAPHITE, DETERGENTS, OR SYNTHETIC OILS.)

P3NL Hi-Flow Lubricators



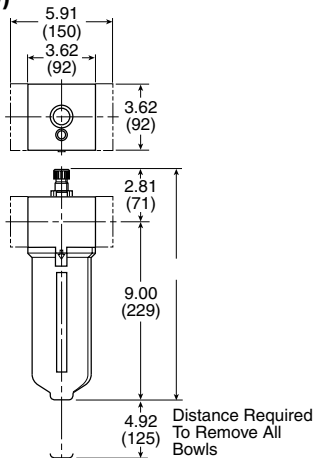
	Port size	Bowl type	Drain type	Flow SCFM	Part number (NPT)
P3NL 	3/4"	Metal / Sight gauge	None	240	P3NLA96LSN
	1"	Metal / Sight gauge	None	250	P3NLA98LSN
	1-1/2" #	Metal / Sight gauge	None	260	P3NLA9PLSN
	# 1" port body with 1-1/2" port block				

Note: BSPP ported units supplied using NPT ported bodies and BSPP port block kits.

Service kits

		P3NL
Adjustment knob		P04121
Bowl kits: Metal bowl –	No drain	P3NKA00BSN
	Twist drain	P3NKA00BSM
Bowl latch kit		C11A33
Drain kit	Twist drain	PS512P
Fill cap kit		P3NKA00PL
Mounting bracket kit		P3NKA00MW
Oil –	1 Quart	F442001
	12 Quart case	F442003
	4 Gallon case	F442005
Pressure fill adapter kit		P3NKA00PK
Service kit		P3NKA00RL
Sight dome kits –	Polycarbonate	PS740P
	Nylon	PS740N
Sight gauge kit		P3NKA00PE

P3NL (Hi-Flow)



Most popular.

