

## Global Modular Common Regulators

- Manifold style regulator with line pressure on both sides
- Pressure output is at front or rear
- Integral 1/4", 3/8" or 1/2" ports (NPT, BSPP & BSPT)
- Robust construction
- Secondary pressure ranges 0-2 bar (0-30 PSIG), 0-4 bar, (0-60 PSIG), 0-8 bar (0-125 PSIG), 0-17 bar (0-250 PSIG)
- Secondary aspiration plus balanced poppet provides quick response and accurate pressure regulation
- Relieving & Non-relieving types
- Non-rising knob



**WARNING**

Product rupture can cause serious injury.  
 Do not connect regulator to bottled gas.  
 Do not exceed maximum primary pressure rating.

**CAUTION:**

**REGULATOR PRESSURE ADJUSTMENT –**

The working range of knob adjustment is designed to permit outlet pressures within their full range. Pressure adjustment beyond this range is also possible because the knob is not a limiting device. This is a common characteristic of most industrial regulators, and limiting devices may be obtained only by special design. For best performance, regulated pressure should always be set by increasing the pressure up to the desired setting.

**Operating information**

	<b>P31 (Mini)</b>	<b>P32 (Compact)</b>
Supply pressure (max):	20 bar (300 PSIG)	20 bar (300 PSIG)
Operating temperature:	-20°C to 65.5°C (-4°F to 150°F)	-25°C to 65.5°C (-13°F to 150°F)
Flow Capacity*:		
1/4	18 dm <sup>3</sup> /s* (38 SCFM)*	28 dm <sup>3</sup> /s* (59 SCFM)*
3/8	—	28 dm <sup>3</sup> /s* (59 SCFM)*
1/2	—	28 dm <sup>3</sup> /s* (59 SCFM)*

\* Inlet pressure 10 bar (145 PSIG). Secondary pressure 6.3 bar (91.3 PSIG), pressure drop 1 bar (14.7 PSIG)

For Flow Curve Charts please see page E36.

**Ordering information**

<b>P31H</b>	<b>A</b>	<b>9</b>	<b>2</b>	<b>B</b>	<b>N</b>	<b>N</b>	<b>P</b>
<b>Basic series</b>	<b>Engr level</b>	<b>Thread type</b>		<b>Relief</b>			<b>Mounting</b>
Global modular mini common regulator <b>P31H</b>	Current <b>A</b>	BSPP <b>1</b>		<b>B</b> Relieving			<b>P</b> Plastic panel mount nut
Global modular compact common regulator <b>P32H</b>		BSPT <b>2</b>		<b>N</b> Non-relieving			
		NPT <b>9</b>					
			<b>Port size</b>			<b>Adjustment range</b>	
			<b>2</b> 1/4 (P31, P32)			<b>Without gauge</b>	
			<b>3</b> 3/8 (P32)			<b>Y</b> 2 bar; 30 psig; 0.2 MPa	
			<b>4</b> 1/2 (P32)			<b>L</b> 4 bar; 60 psig; 0.4 MPa	
						<b>N</b> 8 bar; 125 psig; 0.8 MPa	
						<b>H*</b> 17 bar; 250 psig; 1.7 MPa	

\* Not available with P31 Series.  
 Order gauges separately - see next page.

**Bold items are most common.**

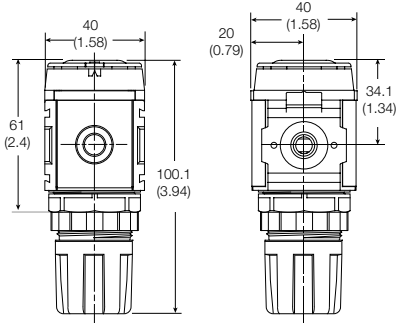
**Regulators**



Port size	Pressure	Part number	
		P31	P32
1/4"	8 bar (125 PSIG) relieving	<b>P31HA92BNNP</b>	<b>P32HA92BNNP</b>
3/8"	8 bar (125 PSIG) relieving		<b>P32HA93BNNP</b>
1/2"	8 bar (125 PSIG) relieving		<b>P32HA94BNNP</b>



**P31**

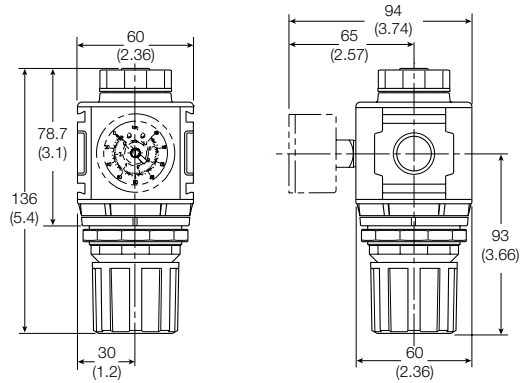


**NOTE:** 31.7 mm (1.25 in.) hole required for panel nut mounting.

**Service kits**

Description			P31	P32
Regulator repair kit	Relieving		<b>P31KA00RB</b>	<b>P32KA00RB</b>
	Non-relieving		<b>P31KA00RC</b>	<b>P32KA00RC</b>
Panel mount nut	Aluminum		<b>P31KA00MM</b>	<b>P32KA00MM</b>
	Plastic		<b>P31KA00MP</b>	<b>P32KA00MP</b>
Angle bracket (uses panel mount threads)			<b>P31KA00MR</b>	<b>P32KA00MR</b>
T-bracket	With body connector		<b>P31KA00MT</b>	<b>P32KA00MT</b>
	Fits to body connector		<b>P31KA00MB</b>	<b>P32KA00MB</b>
Body connector			<b>P31KA00CB</b>	<b>P32KA00CB</b>
Gauges -	Square flush mount gauge	0-4 bar	<b>K4511SCR04B</b>	<b>K4511SCR04B</b>
		0-10 bar	<b>K4511SCR11B</b>	<b>K4511SCR11B</b>
		0-60 PSIG	<b>K4511SCR060</b>	<b>K4511SCR060</b>
		0-160 PSIG	<b>K4511SCR160</b>	<b>K4511SCR160</b>
	Square with adapter kit	0-4 bar	<b>P6G-PR11040</b>	<b>P6G-PR11040</b>
		0-10 bar	<b>P6G-PR11100</b>	<b>P6G-PR11100</b>
		0-60 PSIG	<b>P6G-PR11P06</b>	<b>P6G-PR11P06</b>
		0-160 PSIG	<b>P6G-PR11P16</b>	<b>P6G-PR11P16</b>
	1.00" round 1/8" center back mount	0-60 PSIG / 0-4 bar	<b>K4510N18060</b>	
		0-160 PSIG / 0-11 bar	<b>K4510N18160</b>	
	50mm (2") round 1/4" center back mount	0-30 PSIG / 0-2 bar / 0-0.2 MPa		<b>K4520N14030</b>
		0-60 PSIG / 0-4 bar / 0-0.4 MPa		<b>K4520N14060</b>
		0-160 PSIG / 0-11 bar / 0-1.1 MPa		<b>K4520N14160</b>
		0-300 PSIG / 0-20 bar / 0-2 MPa		<b>K4520N14300</b>
44mm (1-3/4") digital round 1/4" center back mount	0-160 PSIG / 0-11 bar / 0-1.1 MPa		<b>K4517N14160D</b>	

**P32**



**NOTE:** 51 mm (2.0 in.) hole required for panel nut mounting.

**Material specifications**

Description	P31	P32
Body	Aluminum	Aluminum
Adjustment knob	Acetal	Acetal
Bonnet	33% Glass-filled PBT	33% Glass-filled nylon
Diaphragm assembly	Brass / nitrile	Nitrile / zinc
Valve assembly	Brass / nitrile	Brass / nitrile
Springs		Steel S.S. (Main regulating valve)
Seals		Nitrile
Panel nut		Acetal

Most popular.

