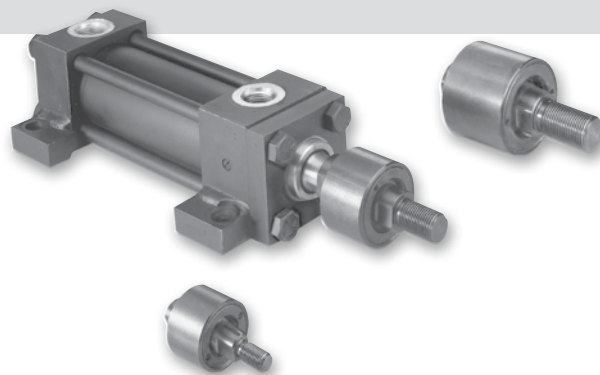


Linear Alignment Couplers

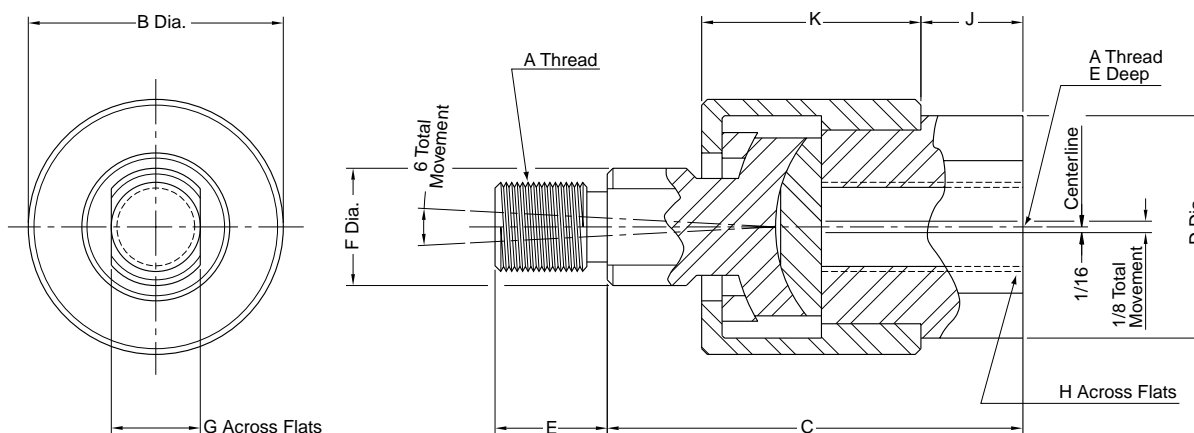
Linear Alignment Couplers are available in 12 standard thread sizes...

Cost Saving Features and Benefits Include...

- Maximum reliability for trouble-free operation, long life and lower operating costs
- Increased cylinder life by reducing wear on piston and rod bearings
- Stainless steel versions available. Please consult factory.
- Simplifying cylinder installation and reducing assembly costs
- Increase rod bearing and rod seal life for lower maintenance costs



Alignment coupler



See table 1 for part numbers and dimensions

Table 1 – Part numbers and dimensions

A	B	C	D	E	F	G	H	J	K	Max. pull load (lbs.)	Approx. weight (Lbs.)	Part number
5/16 -24	1-1/8	1-3/4	15/16	1/2	1/2	3/8	3/4	3/8	15/16	1200	0.35	1347570031
3/8 -24	1-1/8	1-3/4	15/16	1/2	1/2	3/8	3/4	3/8	15/16	2425	0.35	1347570038
7/16 -20	1-3/8	2	1-1/8	3/4	5/8	1/2	7/8	3/8	1-3/32	3250	0.55	1347570044
1/2 -20	1-3/8	2	1-1/8	3/4	5/8	1/2	7/8	3/8	1-3/32	4450	0.55	1347570050
5/8 -18	1-3/8	2	1-1/8	3/4	5/8	1/2	7/8	3/8	1-3/32	6800	0.55	1347570063
3/4 -16	2	2-5/16	1-5/8	1-1/8	1-5/16	3/4	1-5/16	7/16	1-9/32	9050	1.4	1347570075
7/8 -14	2	2-5/16	1-5/8	1-1/8	1-5/16	3/4	1-5/16	7/16	1-9/32	14450	1.4	1347570088
1-14	3-1/8	3	2-3/8	1-5/8	1-7/16	1-1/4	1-7/8	3/4	1-25/32	19425	4.8	1347570100
1-1/4 -12	3-1/8	3	2-3/8	1-5/8	1-7/16	1-1/4	1-7/8	3/4	1-25/32	30500	4.8	1347570125
1-1/4 -12	3-1/2	4	2	2	1-1/2	1-1/4	1-11/16	3/4	2-1/2	30500	6.9	1337390125
1-1/2 -12	4	4-3/8	2-1/4	2-1/4	1-3/4	1-1/2	1-15/16	7/8	2-3/4	45750	9.8	1337390150
1-3/4 -12	4	4-3/8	2-1/4	2-1/4	1-3/4	1-1/2	1-15/16	7/8	2-3/4	58350	9.8	1337390175
1-7/8 -12	5	5-5/8	3	3	2-1/4	1-15/16	2-5/8	1-3/8	3-3/8	67550	19.8	1337390188

How to order linear alignment couplers

When ordering a cylinder with a threaded male rod end, specify the coupler of equal thread size by part number as listed in Table 1, i.e.; Piston Rod "KK" or "CC" dimension is 3/4" - 16", specify coupler part number 1347570075.



B

Actuator Accessories
 Actuator Products

Linear Alignment

4TK Series

PRL Series