

## Zero Air Loss Condensate Drains – ED Series

Zero air loss condensate drains are designed for economical removal of unwanted water, oil emulsions, and other liquids. These drains will only open when liquid is present and will not allow any compressed air to escape from the system.



### Operating information

Maximum pressure:	232 PSIG (16 bar)
Ambient operating temperature:	35°F to 140°F (1.6°C to 60°C)
Voltages optional – NPT	115/50-60Hz, standard
BSPP ports	230/50-60Hz & 24VDC

### Zero Air Loss Condensate Drains

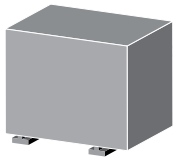


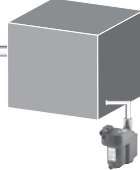
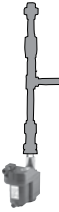
Port size (NPT)	Compressor aftercooler (SCFM)*	Capacity refrigeration dryer (SCFM)**	Filter (SCFM)	Drain capacity per day (gal/liter)	Model number	Service kit
1 @ 3/8 (in), 1 @ 3/8 (out)	—	—	424	6 (22.7)	<b>ED3002N115-K</b>	<b>SKED3000N115</b>
1 @ 1/2 (in), 1 @ 3/8 (out)	141	282	1,413	13 (49.2)	<b>ED3004N115-K</b>	<b>SKED3000N115</b>
2 @ 1/2 (in), 1 @ 3/8 (out)	247	494	2,472	23 (87.1)	<b>ED3007N115-K</b>	<b>SKED3000N115</b>
2 @ 1/2 (in), 1 @ 3/8 (out)	1,059	2,119	10,594	100 (378.5)	<b>ED3030N115-K</b>	<b>SKED3000N115</b>
2 @ 1/2 (in), 1 @ 3/8 (out)	3,532	7,063	35,315	330 (1,249.2)	<b>ED3100N115-K</b>	<b>SKED3000N115</b>

\* Based on 100 PSI working pressure, air compressor inlet at 77°F (25°C) at 60% RH, air discharge temperature of 95°F (35°C) following the aftercooler, pressure dewpoint of 37°F (2.8°C) after the refrigerated dryer.

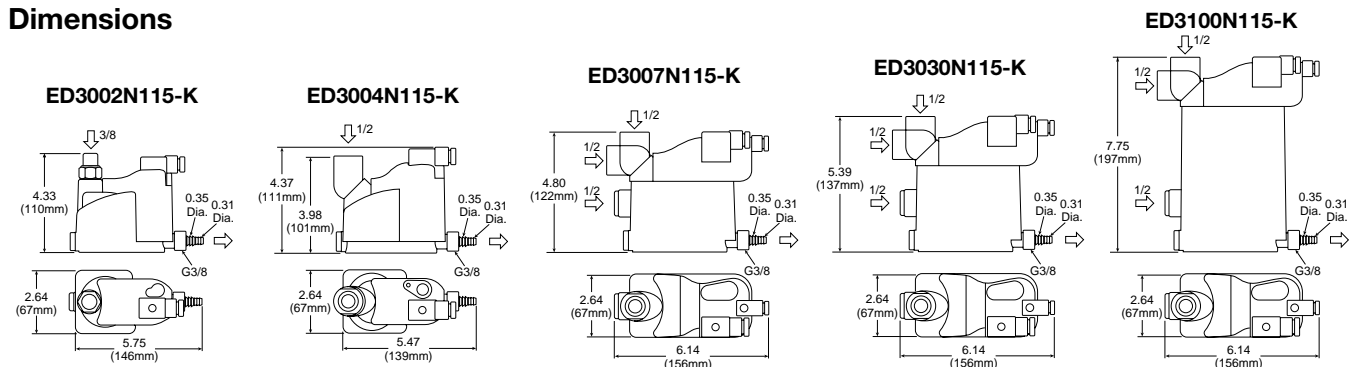
\*\* Condensate from aftercooler or refrigerated dryer to be drained upstream – only for residual oil content or small quantities of condensate.

Note: A 6 ft. line cord will be included with each drain.

### Where Are Condensate Drains Used?

				
<b>Compressor with Aftercooler</b>	<b>Receiver Tank</b>	<b>Filter</b>	<b>Air Dryer</b>	<b>Drip Leg</b>
Removes the condensate that is collected after the air cools in the aftercooler	Removes the condensate that is collected when the air cools inside of the receiver tank	Removes the condensate that is collected in the filter bowl	Removes the condensate that is collected in the air dryer	Point-of-use applications: removes the condensate from compressed air pipes in a plant

### Dimensions



 Most popular.

