

## Semi-Precision Dial Regulators

### 51R

- Pressure reference indicating dial face
- Non-rising, pressure-adjustment dial
- Self-relieving
- Full pressure adjustment in less than one full turn
- Recommended for pilot-air applications

### 52R, 53R, 54R

- Balanced poppet design
- Non-rising, pressure-adjusting dial
- High-relief flow (3/16" relief orifice)
- Two 1/4" gauge ports
- Piston operated







### Operating information

Adjusting range pressure:	2 to 40 PSIG (0 to 2.8 bar) 5 to 160 PSIG (0 to 11.0 bar)
Max supply pressure:	300 PSIG (20.7 bar)
Max operating temperature:	150°F (65.5°C)

### Dial Regulators, relieving



	Port size	Flow capacity* SCFM (dm <sup>3</sup> /s)	Part number	
			Low pressure 2 to 40 PSIG (0.14 to 3 bar)	Standard pressure 5 to 160 PSIG (0.34 to 11 bar)
	1/4	0.7 (.3)	<b>51R125RA</b>	<b>51R126RA</b>
	1/4	117 (55)	<b>52R125RA</b>	<b>52R126RA</b>
	3/8	180 (85)	<b>52R225RA</b>	<b>52R226RA</b>
	1/2	195 (92)	<b>52R325RA</b>	<b>52R326RA</b>
	3/4	220 (104)	<b>52R425RA</b>	<b>52R426RA</b>
	3/4	400 (189)	<b>53R425RA</b>	<b>53R426RA</b>
	1	650 (307)	<b>53R525RA</b>	<b>53R526RA</b>
	1-1/4	700 (330)	<b>53R625RA</b>	<b>53R626RA</b>
	1-1/2	1,600 (755)	<b>54R725RA</b>	<b>54R726RA</b>
	2	1,600 (755)	<b>54R825RA</b>	<b>54R826RA</b>

\* SCFM = Standard cubic feet per minute at 100 PSIG (6.9 bar) inlet, 90 PSIG (6.2 bar) no-flow secondary setting and 25 PSIG pressure drop.

### Service kits

Description	51R	52R	53R	54R
Adjustment dial knob	<b>RRP-16-024</b>	<b>RRP-16-024</b>	<b>RRP-16-024</b>	<b>RRP-16-024</b>
O-ring, repair kit	<b>GRP-95-260</b>	<b>GRP-95-260</b>	<b>GRP-95-261</b>	<b>GRP-95-262</b>
Piston and bonnet repair kit	<b>RRP-95-765</b>	<b>RRP-95-766</b>	<b>RRP-95-766</b>	<b>RRP-95-766</b>
Piston bottom and o-ring seal		<b>RRP-95-192</b>	<b>RRP-95-192</b>	<b>RRP-95-192</b>
Spring, regulation, Belleville washer –				
2 to 40 PSIG (2.8 bar)	<b>RRP-95-906</b>	<b>RRP-95-906</b>	<b>RRP-95-906</b>	<b>RRP-95-906</b>
5 to 160 PSIG (11.0 bar)	<b>RRP-95-905</b>	<b>RRP-95-905</b>	<b>RRP-95-905</b>	<b>RRP-95-905</b>
Spring, main valve				<b>RRP-95-024</b>
Tamper resistant kit	<b>RRP-95-585</b>	<b>RRP-95-585</b>	<b>RRP-95-585</b>	<b>RRP-95-585</b>
Valve, main with u-cup seal & bottom plug		<b>RRP-95-914</b>		
Valve, main with u-cup seal		<b>RRP-95-151</b>		
Valve, main with o-ring seal			<b>RRP-95-152</b>	<b>RRP-95-153</b>
Valve, pilot with o-ring and valve spring	<b>RRP-96-934</b>	<b>RRP-96-934</b>	<b>RRP-96-935</b>	<b>RRP-96-935</b>

Most popular.





Air Preparation Products

Global

Prep-Air II

Miniature

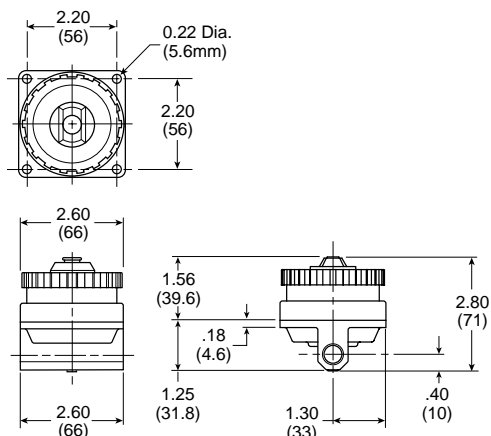
P3N

General Industrial

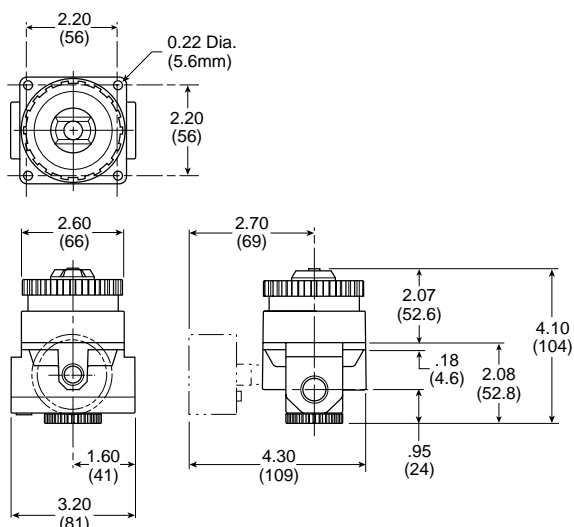
Stainless Steel

Precision / Bulk Liquid Separators

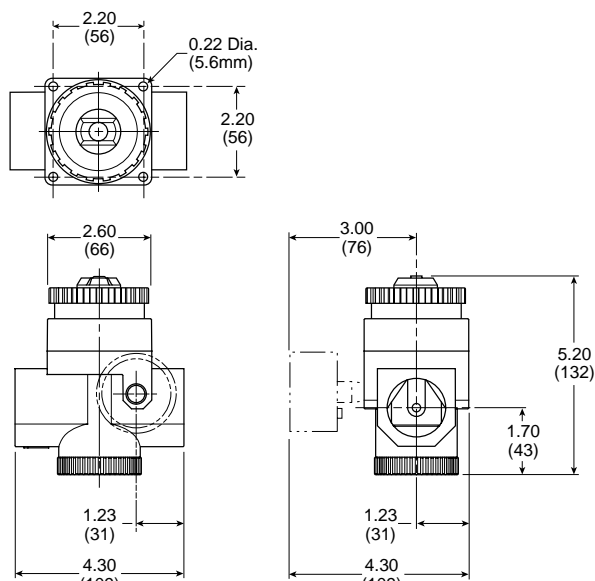
**51R**



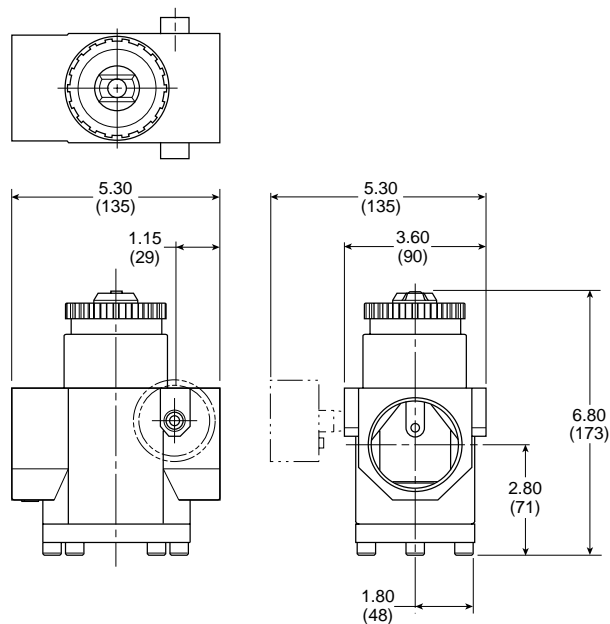
**52R**



**53R**



**54R**



**Specifications**

Description	51R	52R	53R	54R
Bleed rate	0.05 SCFM	0.05 SCFM	0.05 SCFM	0.05 SCFM
Gauge port	—	Two ports 1/4	Two ports 1/4	Two ports 1/4
Port threads	1/4	1/4, 3/8, 1/2, 3/4	3/4, 1, 1-1/4	1-1/2, 2
Weight	1.3 lb. (0.5 kg)	2.3 lb. (1.04 kg)	4.0 lb. (1.8 kg)	9 lb. (4.1 kg)

**Material specifications**

Description	
Body	Zinc
Bonnet	Zinc / brass
Piston	Acetal
Seals	Nitrile
Springs	Steel
Valve assembly	Brass / nitrile / acetal

**WARNING**  
 Product rupture can cause serious injury.  
 Do not connect regulator to bottled gas.  
 Do not exceed maximum primary pressure rating.

**CAUTION:**  
**REGULATOR PRESSURE ADJUSTMENT –**  
 The working range of knob adjustment is designed to permit outlet pressures within their full range. Pressure adjustment beyond this range is also possible because the knob is not a limiting device. This is a common characteristic of most industrial regulators, and limiting devices may be obtained only by special design. For best performance, regulated pressure should always be set by increasing the pressure up to the desired setting.

