

CH01 Series Check Valve

The CH check valve is used to hold a degree of vacuum downstream from the check valve when the vacuum generator upstream from the check valve is turned off. A separate blow-off connection downstream from the CH check valve is required to destroy the vacuum pressure and blow off the part. This check valve is an open or passing flow path when there is a differential pressure from the pad side to the generator side.



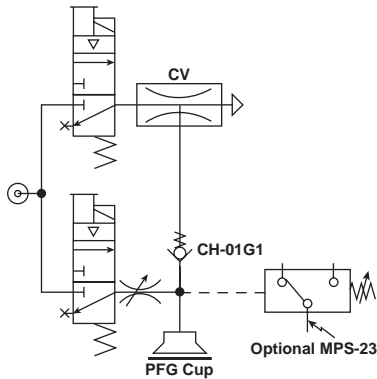
Features

- Poppet design
- Low leakage
- Low cracking pressure

Operating information

Temperature range:	32°F to 140°F (0° to 60°C)
Operating vacuum:	-4.25 to -13.89 PSIG (-8.7 to -28.3 inHg)
Port size:	Pad side = 1/4", Generator side = 1/8"
Leakage rate:	0.2 PSI / minute (0.4 inHg / minute)
Cracking pressure:	2.9 PSIG (5.9 inHg)

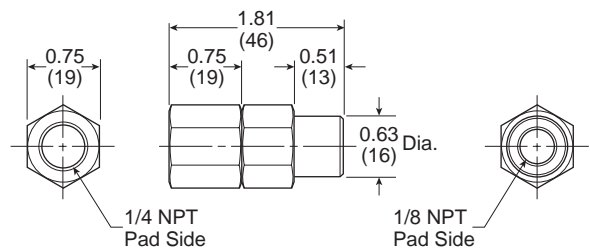
Normally Closed Air Supply
with Blow-off &
Optional Sensor



Material specifications

Valve body / Fittings	Brass / Aluminum
Seals	BUNA
Spring	SUS

Dimensions



CH01 Series Ordering Information

Description	Part number
BSPP Ports	CH-01G1
NPT Ports	CH-01N1

C
Generator Accessories
Vacuum Products

FSV
Series

CH01
Series

VF & VL
Filters

VFP
Filters

Vacuum
Silencers

Most popular.

