

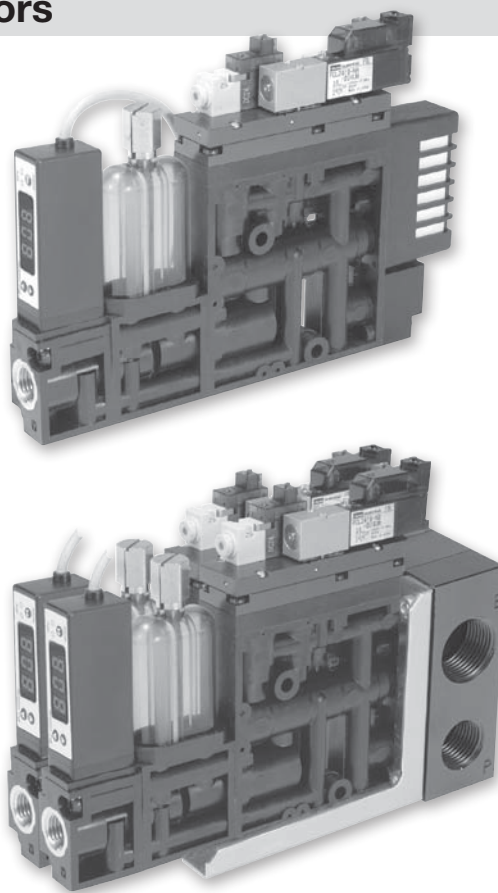
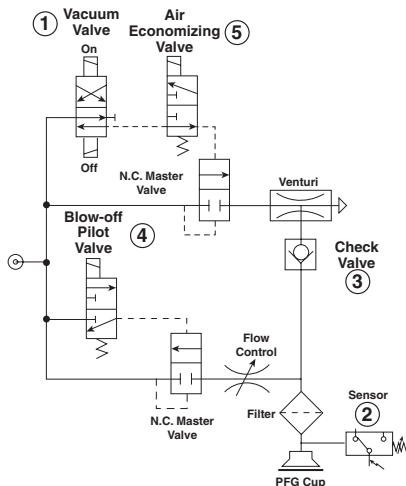
CEK Emergency Stop Vacuum Generators

The CEK is a Normally Closed Vacuum On / Off valve that maintains the last state of air during an emergency stop or power loss. In addition to this, an air-economizing valve has been added to interrupt the air supply by connecting the output signal from the sensor to minimize air consumption.

This unit is ideal for non-porous applications that require fast response of large vacuum and blow-off release flow.

Typically, with a normally closed air circuit, the user controls vacuum with a command signal. During an Emergency Stop Event or power failure event, the vacuum command signal is lost, but, the Vacuum valve (1) remains in the current operating position due to the construction of the valve. The air-economizing valve (5), in a Normally Open configuration, passes the air supply from the Vacuum On / Off valve (1). The Sensor (2) output activates the air-economizing valve (5) closing the air supply to the Normally Closed master valve. The Check Valve (3) maintains the achieved vacuum level until the hysteresis value of the Sensor (2) is reached or when the Vacuum valve (1) has been returned to the closed position to stop the vacuum operation.

Valve controlled emergency stop circuit



Add-A-Fold assembly (Silencer included)

Features

- Integrated double solenoid for last state
- Integrated vacuum pilot
- Integrated blow-off pilot
- Integrated filter, silencer
- Air economizing capabilities
- Manifolds for up to 5 units

CEK Model Number

Port size		Max. vacuum flow		Max. degree of vacuum		Part number	
Pressure	Vacuum	Exhaust	SCFM	inHg	Sensor option	NPT	BSPP
1/4	1/4	Muffler	2.20	24	No sensor	CEK15HSZC24PBLNB	CEK15HSZC24PBLGB
1/4	1/4	Muffler	2.20	24	MPS-V23C-NC, NPN	CEK15HS41C24NBLNB	CEK15HS41C24NBLGB
1/4	1/4	Muffler	2.20	24	MPS-V23C-PC, PNP	CEK15HS42C24PBLNB	CEK15HS42C24PBLGB
1/4	1/4	Muffler	3.67	24	No sensor	CEK20HSZC24PBLNB	CEK20HSZC24PBLGB
1/4	1/4	Muffler	3.67	24	MPS-V23C-NC, NPN	CEK20HS41C24NBLNB	CEK20HS41C24NBLGB
1/4	1/4	Muffler	3.67	24	MPS-V23C-PC, PNP	CEK20HS42C24PBLNB	CEK20HS42C24PBLGB
1/4	1/4	Muffler	5.20	24	No sensor	CEK25HSZC24PBLNB	CEK25HSZC24PBLGB
1/4	1/4	Muffler	5.20	24	MPS-V23C-NC, NPN	CEK25HS41C24NBLNB	CEK25HS41C24NBLGB
1/4	1/4	Muffler	5.20	24	MPS-V23C-PC, PNP	CEK25HS42C24PBLNB	CEK25HS42C24PBLGB

Most popular.



C
 Vacuum Generators
 Vacuum Products
 MCA, CV,
 CV-CK
 Series
 CHF
 Series
 MC22
 Series
 MC72
 Series
 CEK
 Series
 CVXCEK
 Series

Specifications

Media	Non-lubricated compressed air, non-corrosive gases	
Operating pressure	70 PSI (5 kgf/cm ²)	
Humidity	35 to 85%	
Pressure port	N: 1/4 NPT female, G: 1/4 BSPP female	
Vacuum port	N: 1/4 NPT female, G: 1/4 BSPP female	
Operating temperature	41 to 132°F (5 to 50°C)	
Material	Body (PA and PBT) with other internal components (Brass, Al,NBR, SUS, FKM), filter elements (PVF)	
Air-economizing valve and blow-off release pilot		Vacuum on/off valve
Type of control valve	Pilot valve	Double solenoid
Manual operation	Manual override	Manual overrides
Electrical connection	Clip connector with LED and surge	Clip connector with LED and surge
Power supply	24VDC ± 10%	24VDC ± 10%
Power consumption	0.9W	0.9W
Operating pressure	70 PSI (5 kgf/cm ²)	70 PSI (5 kgf/cm ²)
Air supply	Normally closed	Normally closed
Generator weight	12.0 oz. (340g)	
Manifold weight	2-Station: 24 oz. (680g), 3-Station: 31 oz. (880g), 4-Station: 38 oz. (1080g), 5-Station: 45 oz. (1280g)	

Add-A-Fold assembly ordering information



Example 1: Shown above is a 5-Station CEK manifold with sensors and NPT ports.

Qty.	Part number	Comment
1	AACEK-M05N.....	Add-A-Fold
1	CEK15HS42C24NBLNB.....	Station #1
1	CEK15HS42C24NBLNB.....	Station #2
1	CEK20HS42C24NBLNB.....	Station #3
1	CEK20HS42C24NBLNB.....	Station #4
1	CEK25HS42C24NBLNB.....	Station #5
Alternative Method		
1	AACEK-M05N.....	Add-A-Fold
2	CEK15HS42C24NBLNB.....	Station #1-2
2	CEK20HS42C24NBLNB.....	Station #3-4
1	CEK25HS42C24NBLNB.....	Station #5

How to order Add-A-Fold assemblies

1. Manifold assemblies are multiple line item listings.
2. First line item must be the Add-A-Fold assembly part number.
3. Subsequent line items listed identify each station in the manifold starting with station number 1.
4. Station number 1 is the left most generator when looking at the manifold generator ports.
5. List either a part number of the manifold type generator or a blank plate for each station of the manifold.
6. See model number index code for CEK Generator number and accessories for blank plate part numbers.

AACEK-M05N

- Port Type**
 N NPT
 R BSP
 G BSPP
- Number of Stations**
 M02 2
 M03 3
 M04 4
 M05 5*
* Maximum Number of Stations
- Add-A-Fold Assembly**
 AACEK

Manifold part number

MC72 - M 05 N

- Manifold**
- Stations**
 02
 03
 04
 05
- Port Size**
 N 1/8 NPT
 G 1/8 BSPP

Bold Items are Most Popular.

C

Vacuum Generators
 Vacuum Products

MCA, CV,
 CV-CK

CHF
 Series

MC22
 Series

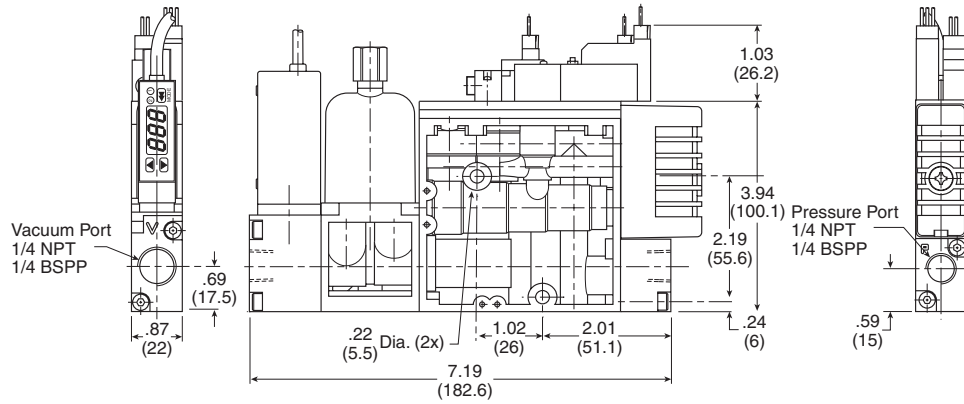
MC72
 Series

CEK
 Series

CVXCEK
 Series

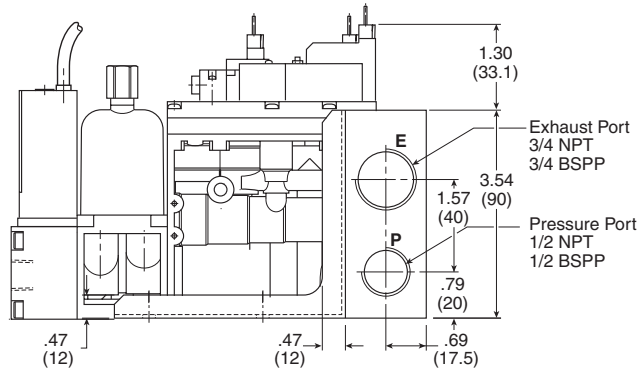
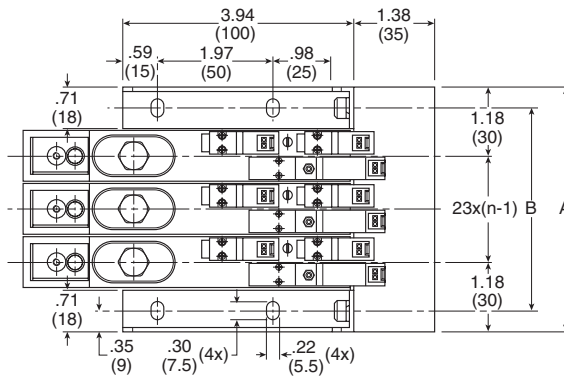
Dimensions

Generator



Manifold

3-Station manifold shown

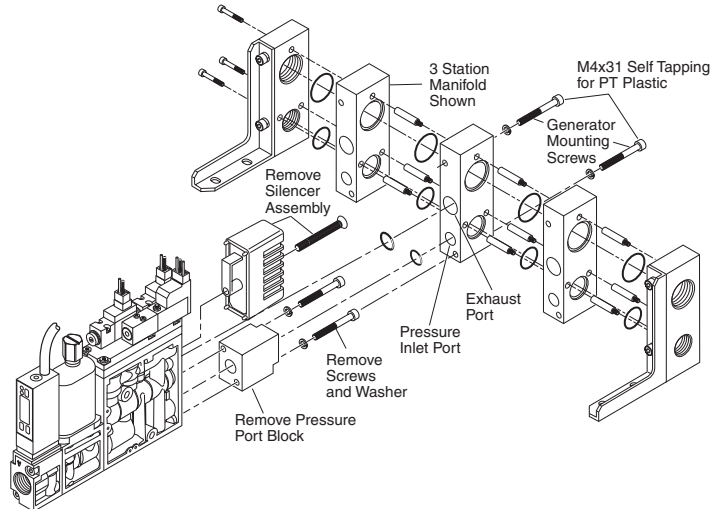


Manifold assembly

Remove Pressure Port Block and Silencer Assembly. Use existing o-rings and manifold mounting screws to secure the CEK unit to the manifold.

n	2	3	4	5
A	3.27 (83)	4.17 (106)	5.08 (129)	5.98 (152)
B	2.56 (65)	3.46 (88)	4.37 (111)	5.28 (134)

Inches (mm)
 n = Number of Stations



C
 Vacuum Generators
 Vacuum Products
 MCA, CV,
 CV-CK
 Series
 CHF
 Series
 MC22
 Series
 MC72
 Series
 CEK
 Series
 CVXCEK
 Series

