

20R, R24 / R25, R45 / R46 Miniature Regulators

- 20R: Rugged brass body for water service
- R24 / R25, R45 / R46: Constructed with a combination of N.S.F. and F.D.A. approved materials
- Unbalanced poppet standard
- Non-rising, push-to-lock adjusting knob
- Diaphragm operated
- 20R: 1/8" & 1/4" ports (NPT & BSPP)
- R24 / R25: 1/8" & 1/4" ports (NPT & BSPP)
- R45 / R46: 1/4" & 3/8" ports (NPT & BSPP)



Material specifications




	20R	R25 / R45	R24 / R46
Adjusting screw	Steel	Steel	Steel
Body		Acetal	Acetal
Body, bottom plug, diaphragm button	Brass		
Bonnet & seat	Plastic	Acetal	Acetal
Diaphragm		Buna N	EPDM
Seals	Buna N	Buna N	EPDM
Springs	Steel	Stainless	Stainless
Valve poppet	Brass	Buna N	EPDM

Operating information

	20R
Pressure rating:	0 to 300 PSIG (0 to 20.4 bar)
Secondary pressure ranges –	
Standard pressure	2 to 125 PSIG (0 to 8.6 bar)
Medium pressure	1 to 60 PSIG (0 to 4.1 bar)
Medium pressure	1 to 25 PSIG (0 to 2.1 bar)
Temperature rating:	32°F to 125°F (0°C to 52°C)
	R24 / R25, R45 / R46
Pressure rating:	0 to 150 PSIG (0 to 10 bar)
Temperature rating:	40°F to 125°F (4°C to 52°C)

Regulators



	Port size	Pressure range	Flow	Part number (NPT)	
				Air service, relieving	Water service, non-relieving
 R24 / R25	1/8"	25 PSIG		R25-01A	R24-01AK
	1/8"	60 PSIG		R25-01B	R24-01BK
	1/8"	125 PSIG		R25-01C	R24-01CK
	1/4"	25 PSIG		R25-02A	R24-02AK
	1/4"	60 PSIG		R25-02B	R24-02BK
	1/4"	125 PSIG		R25-02C	R24-02CK
 R45 / R46	1/4"	25 PSIG	R45: 35 SCFM; R46: 3 GPM	R45-02A	R46-02AK
	1/4"	60 PSIG	R45: 35 SCFM; R46: 3 GPM	R45-02B	R46-02BK
	1/4"	125 PSIG	R45: 35 SCFM; R46: 3 GPM	R45-02C	R46-02CK
	3/8"	25 PSIG	R45: 35 SCFM; R46: 3 GPM	R45-03A	R46-03AK
	3/8"	60 PSIG	R45: 35 SCFM; R46: 3 GPM	R45-03B	R46-03BK
	3/8"	125 PSIG	R45: 35 SCFM; R46: 3 GPM	R45-03C	R46-03CK
 20R				Water service, relieving	Water service, non-relieving
	1/8"	25 PSIG	1.25 GPM	20R011FC	20R011GC
	1/8"	60 PSIG	1.25 GPM	20R061FC	20R061GC
	1/8"	125 PSIG	1.25 GPM	20R013FC	20R013GC
	1/4"	25 PSIG	1.25 GPM	20R111FC	20R111GC
	1/4"	60 PSIG	1.25 GPM	20R161FC	20R161GC
	1/4"	125 PSIG	1.25 GPM	20R113FC	20R113GC

NOTE: 1.25 Dia. (32mm) hole required for panel mounting.



WARNING

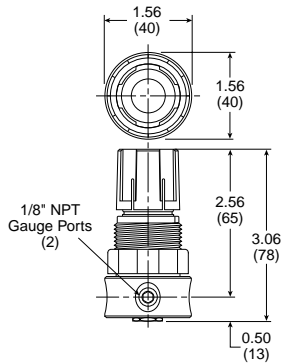
Product rupture can cause serious injury.
 Do not connect regulator to bottled gas.
 Do not exceed maximum primary pressure rating.

 Most popular.

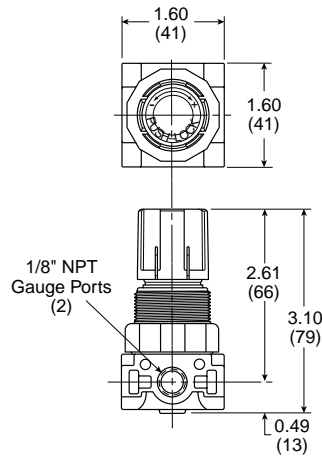
CAUTION: REGULATOR PRESSURE ADJUSTMENT –

The working range of knob adjustment is designed to permit outlet pressures within their full range. Pressure adjustment beyond this range is also possible because the knob is not a limiting device. This is a common characteristic of most industrial regulators, and limiting devices may be obtained only by special design. For best performance, regulated pressure should always be set by increasing the pressure up to the desired setting.

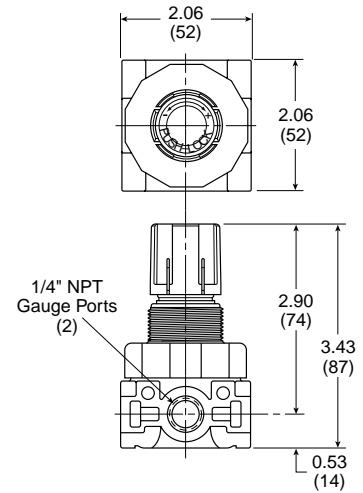
20R



R24/R25



R45/R46



Service kits

Description	20R	R24	R25	R45	R46
Bonnet kit	PCKR364Y				
Bonnet tamperproof kit	PCKR364T				
Mounting bracket kit (includes panel mount nut)	SA161X57	SA161X57	SA161X57	SA161X57	SA161X57
Panel mount nuts – Plastic	R05X51-P	R05X51-P	R05X51-P	R05X51-P	R05X51-P
Aluminum	R05X51-A	R05X51-A	R05X51-A	R05X51-A	R05X51-A
Repair kits – Non-relieving	PRKR163Y	RKR24KY	RKR25KY	RKR45KY	RKR45KY
Relieving	PRKR164Y	RKR24Y	RKR25Y	RKR45Y	RKR45Y
Springs – 0 to 25 PSIG (0 to 1.7 bar)		SPR-375-1	SPR-375-1	SPR-46	SPR-46
0 to 60 PSIG (0 to 4.1 bar)		SPR-376	SPR-376	SPR-47	SPR-47
0 to 125 PSIG (0 to 8.6 bar)		SPR-377	SPR-377	SPR-48	SPR-48

Most popular.



Air Preparation Products

Global

Prep-Air II

Miniature

P3N

General Industrial

Stainless Steel

Precision / Proportional

Bulk Liquid Separators