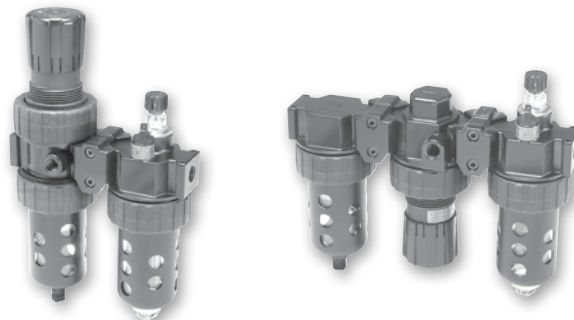


## Compact & Standard Prep-Air II Combinations

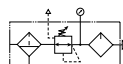
### Modular Combinations – 06 Compact & 07 Standard Series

- Regulator can be mounted with knob in up or down position
- 40 micron filter element standard, 5 micron optional
- Manual twist drain
- Relieving regulator




**CAUTION:**  
**REGULATOR PRESSURE ADJUSTMENT –**

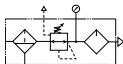
The working range of knob adjustment is designed to permit outlet pressures within their full range. Pressure adjustment beyond this range is also possible because the knob is not a limiting device. This is a common characteristic of most industrial regulators, and limiting devices may be obtained only by special design. For best performance, regulated pressure should always be set by increasing the pressure up to the desired setting.




### 06H, 16H, 07H, 17H 2-Unit Modular Combinations

	Port	Bowl type	Element type	Filter drain type	Relief type	Lubricator drain type	Series	Model numbers	Series	Model numbers
06H Shown 	1/4"	Poly / Metal guard	40 micron	Twist	Relieving	None		<b>06H12A13A2BC</b>		<b>16H12A13A2BC</b>
	3/8"	Poly / Metal guard	40 micron	Twist	Relieving	None	06H	<b>06H22A13A2BC</b>	16H	<b>16H22A13A2BC</b>
	1/2" *	Poly / Metal guard	40 micron	Twist	Relieving	None		<b>06H32A13A2BCG</b>		<b>16H32A13A2BCG</b>
	1/2"	Poly / Metal guard	40 micron	Twist	Relieving	None	07H	<b>07H32A13A2BD</b>	17H	<b>17H32A13A2BD</b>
	3/4"	Poly / Metal guard	40 micron	Twist	Relieving	None		<b>07H42A13A2BD</b>		<b>17H42A13A2BD</b>

\* 06 / 16 Available with port blocks only.



### 06B, 16B, 07B, 17B 3-Unit Modular Combinations

	Port	Bowl type	Element type	Filter drain type	Relief type	Lubricator drain type	Series	Model numbers	Series	Model numbers
06B Shown 	1/4"	Poly / Metal guard	40 micron	Twist	Relieving	None		<b>06B12A13A2BC</b>		<b>16B12A13A2BC</b>
	3/8"	Poly / Metal guard	40 micron	Twist	Relieving	None	06B	<b>06B22A13A2BC</b>	16B	<b>16B22A13A2BC</b>
	1/2" *	Poly / Metal guard	40 micron	Twist	Relieving	None		<b>06B32A13A2BCG</b>		<b>16B32A13A2BCG</b>
	1/2"	Poly / Metal guard	40 micron	Twist	Relieving	None	07B	<b>07B32A13A2BD</b>	17B	<b>17B32A13A2BD</b>
	3/4"	Poly / Metal guard	40 micron	Twist	Relieving	None		<b>07B42A13A2BD</b>		<b>17B42A13A2BD</b>

\* 06 / 16 available with port blocks only.

### Modular service kits

Description	06 Series	07 Series	Description	Series	Size	NPT	BSPP	BSPT
Body connectors	<b>PS754P</b>	<b>PS854P</b>	Port block connector kits	06 Series –	1/4"	<b>PS750P</b>	<b>PS765P†</b>	<b>PS761P</b>
Lockout valves	<b>PS756P</b>	<b>PS856P</b>			3/8"	<b>PS751P</b>	<b>PS766P†</b>	<b>PS762P</b>
Modular manifold block	<b>PS757P</b>	<b>PS857P</b>			1/2"	<b>PS752P*</b>	<b>PS767P**</b>	<b>PS799P*</b>
Wall mounting kit	<b>PS755P</b>	<b>PS755P</b>	07 Series –	07 Series –	1/4"	<b>PS850P</b>	<b>PS865P</b>	<b>PS861P</b>
					3/8"	<b>PS851P</b>	<b>PS866P</b>	<b>PS862P</b>
					1/2"	<b>PS852P</b>	<b>PS867P†</b>	<b>PS863P</b>
					3/4"	<b>PS853P</b>	<b>PS860P</b>	<b>PS864P</b>

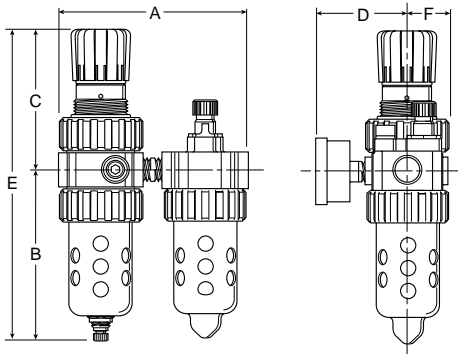
**⚠ WARNING**  
 Product rupture can cause serious injury.  
 Do not connect regulator to bottled gas.  
 Do not exceed maximum primary pressure rating.

Use 1/4 or 3/8 ported bodies. † 1/4, 3/8 & 1/2 inch meet ISO 1179-1 Standard. ‡ 1/2 inch meets ISO 1179-1 Standard.

 Most popular.



**Combination Dimensions – 06 Compact & 07 Standard Series**



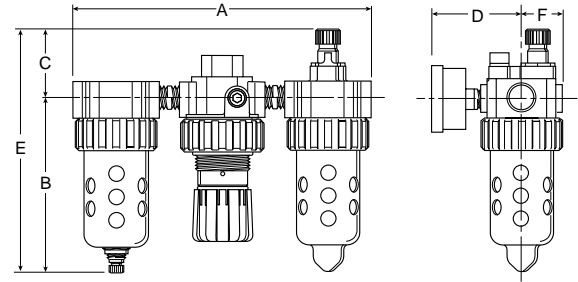
**06G, 16G Series**

A	B	C	D	E	F
6.13 (156)	5.69 (145)	4.69 (119)	3.18 (81)	10.38 (264)	1.37 (35)

**07G, 17G Series**

A	B	C	D	E	F
6.99 (178)	6.97 (177)	4.79 (122)	3.44 (87)	11.76 (299)	1.63 (41)

Inches (mm)  
 • All dimensions nominal.



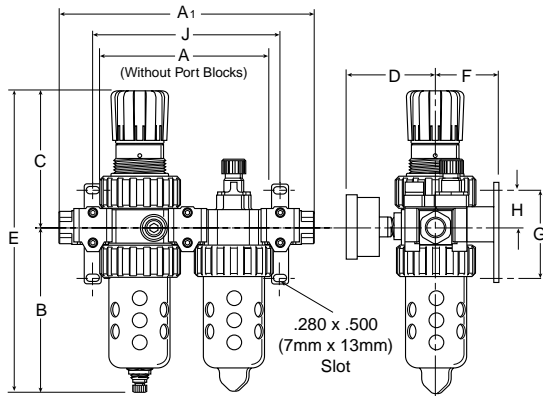
**06A, 16A Series**

A	B	C	D	E	F
9.45 (240)	5.69 (145)	2.24 (57)	3.18 (81)	7.93 (201)	1.37 (35)

**07A, 17A Series**

A	B	C	D	E	F
10.74 (2738)	6.97 (177)	2.41 (61)	3.44 (87)	9.38 (238)	1.63 (41)

Inches (mm)  
 • All dimensions nominal.



**06H, 16H Series**

A	A1	B	C	D	E
6.10 (155)	9.04 (230)	5.69 (145)	4.69 (119)	3.18 (81)	10.38 (264)

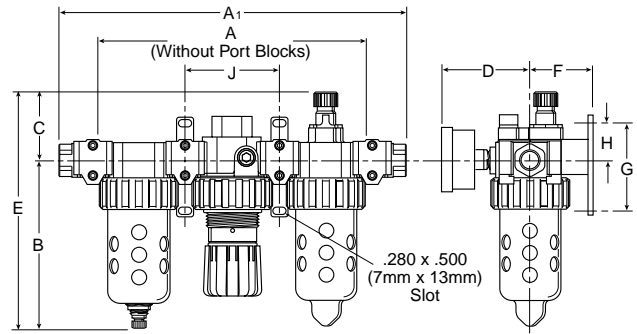
F	G	H	J
2.00 (51)	3.58 (91)	1.40 (36)	6.65 (169)

**07H, 17H Series**

A	A1	B	C	D	E
7.00 (178)	10.28 (261)	6.97 (177)	4.79 (122)	3.44 (87)	11.76 (299)

F	G	H	J
2.09 (53)	3.58 (91)	1.40 (36)	7.51 (191)

Inches (mm)  
 • All dimensions nominal.



**06B, 16B Series**

A	A1	B	C	D	E
9.46 (240)	12.39 (315)	5.69 (145)	2.24 (57)	3.18 (81)	7.93 (202)

F	G	H	J
2.00 (51)	3.58 (91)	1.40 (36)	3.33 (85)

**07B, 17B Series**

A	A1	B	C	D	E
10.75 (273)	14.03 (356)	6.97 (177)	2.41 (61)	3.44 (87)	9.38 (238)

F	G	H	J
2.18 (55)	3.58 (91)	1.40 (36)	3.76 (95)

Inches (mm)  
 • All dimensions nominal.

