



Parker Hannifin Corporation  
**Automation Actuator Division**  
135 Quadral Drive  
Wadsworth, Ohio 44281  
Telephone (330) 336-3511  
Facsimile (330) 334-3335

**ERV-SPLICE ASSEMBLY**  
**Assembly Instructions**  
**Issued: August 15, 2002**

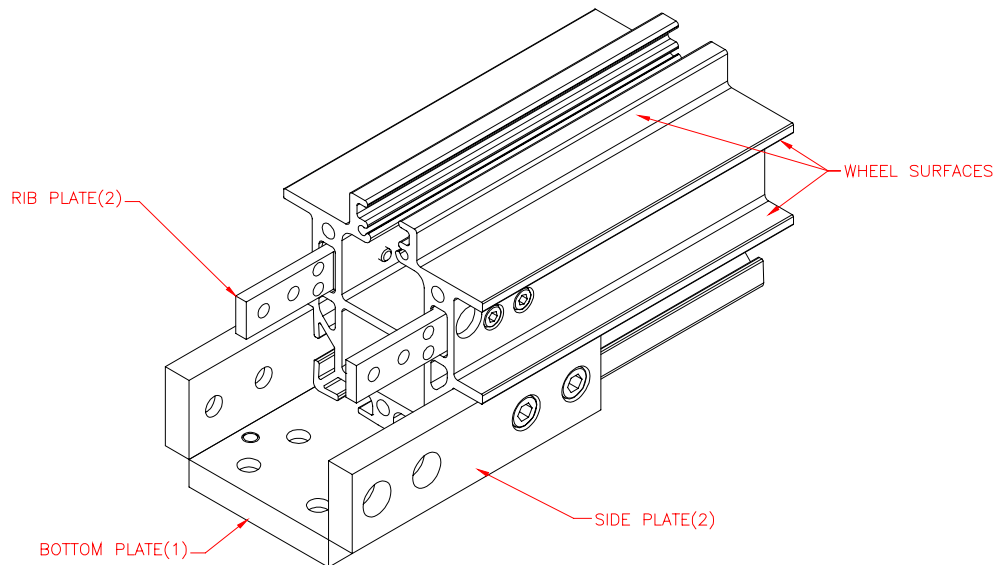
## **ERV SPLICE ASSEMBLY INSTRUCTIONS**

### **Step 1**

Insert the rib plates into the first piece of the body with the raised side of the plate against the inside of the body. See photo below. Loosely tighten the SHCS rib bolts.

### **Step 2**

Insert the t-nuts into the slots on the body and assemble the side plates and bottom plate with the SHCS's as shown below.



### **Step 3**

Slide in the second piece of the body and loosely attach the SHCS's for the bottom plate, the side plates, and rib plates.

### **Step 4**

Then go back and tighten the SHCS's on the first section of body on all the plates.



Parker Hannifin Corporation  
**Automation Actuator Division**  
135 Quadral Drive  
Wadsworth, Ohio 44281  
Telephone (330) 336-3511  
Facsimile (330) 334-3335

**ERV-SPLICE ASSEMBLY**  
**Assembly Instructions**  
**Issued: August 15, 2002**

### **Step 5**

Insert the bolts into the rib plate and adjust them until the top wheel surfaces (shown below) are flush.

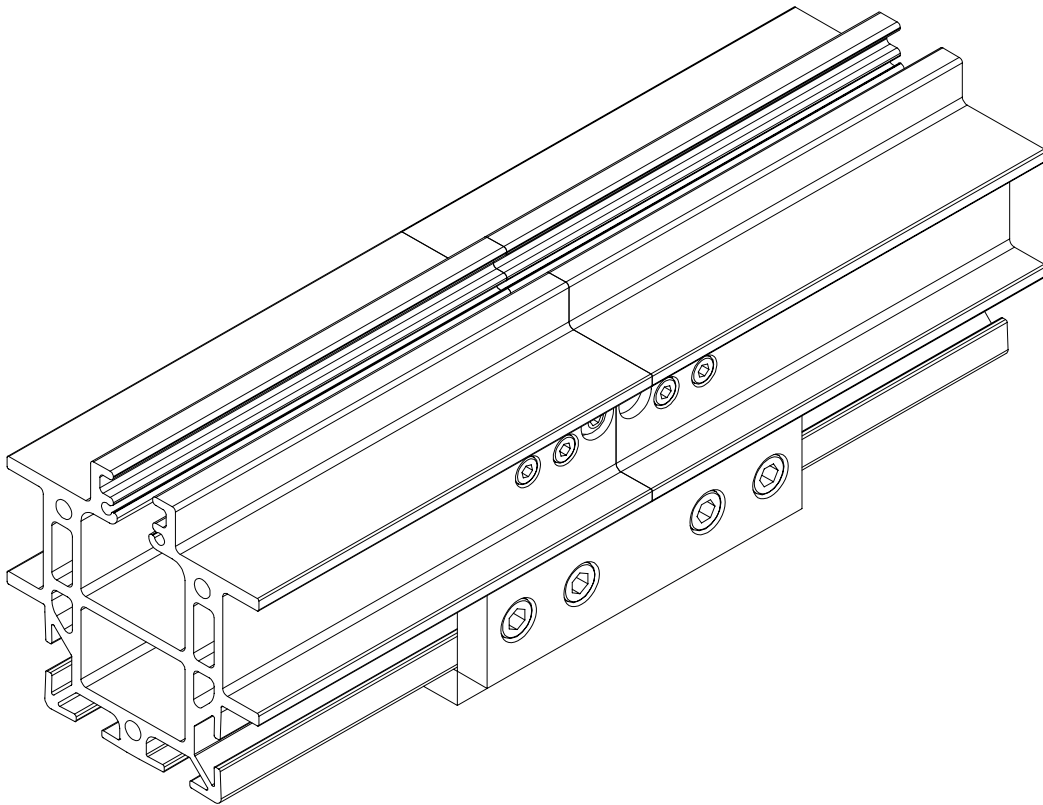
### **Step 6**

Adjust the set screws in the bottom plate until the side wheel surfaces (shown by arrow below) are flush.

Repeat steps 5 and 6 as needed to obtain a smooth transition surface.

### **Step 7**

Lastly, tighten all the bolts attaching the three plates to the second piece of the body. Tighten the plates in the following order: rib, bottom, and sides.





Parker Hannifin Corporation  
**Automation Actuator Division**  
 135 Quadral Drive  
 Wadsworth, Ohio 44281  
 Telephone (330) 336-3511  
 Facsimile (330) 334-3335

**ERV-SPLICE ASSEMBLY**  
**Assembly Instructions**  
**Issued: August 15, 2002**

**Parts List**

	Rib plate - ERVXXSPC03 (2)		Bottom plate - ERVXXSPC01 (1)		Side plates - ERVXXSPC02 (2)	
	Mounting screws	Adjustment screws	Mounting screws	Adjustment screws	Mounting screws	Adjustment screws
<b>ERV56</b>	CS-CM4X0.7-008	CS-CM5X0.8-006	CS-CM6X1.0-010	ESF3606	CS-CM6X1.0-010	ESF3606
<b>ERV80</b>	CS-CM6X1.0-012	CS-CM6X1.0-012	CS-CM8X1.25-016	ESF3208	CS-CM8X1.25-016	ESF3208
<b>Quantity</b>	8	2	8	8	8	8



Parker Hannifin Corporation  
**Automation Actuator Division**  
135 Quadral Drive  
Wadsworth, Ohio 44281  
Telephone (330) 336-3511  
Facsimile (330) 334-3335

**ERV-SPLICE ASSEMBLY**  
**Assembly Instructions**  
**Issued: August 15, 2002**