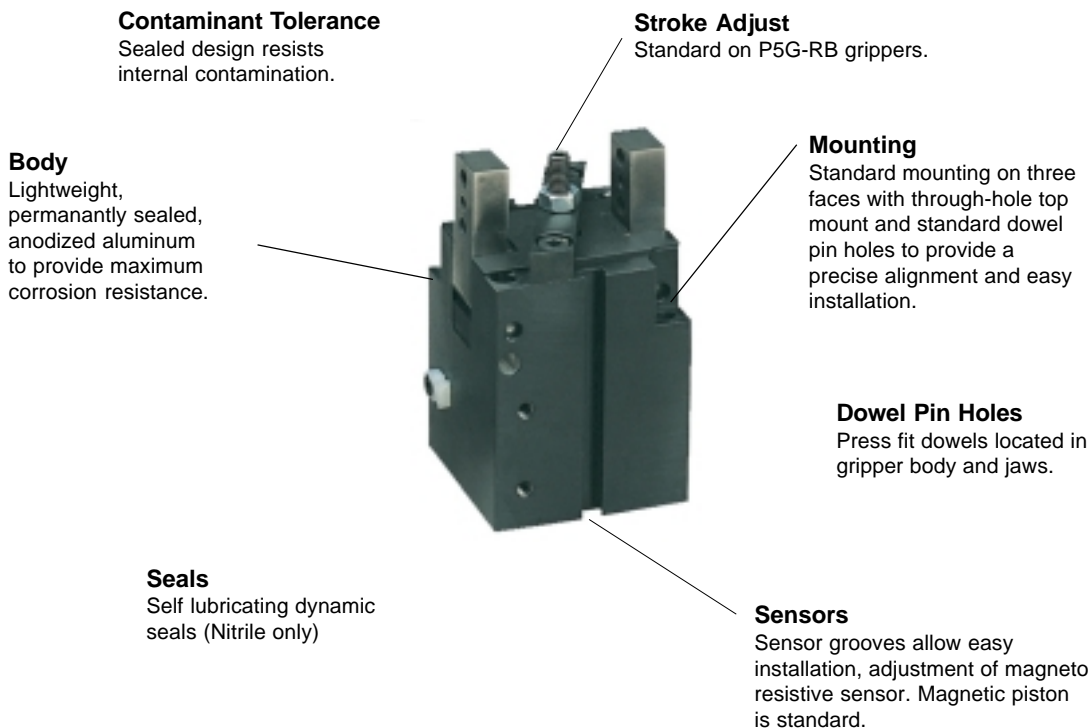


**Features**

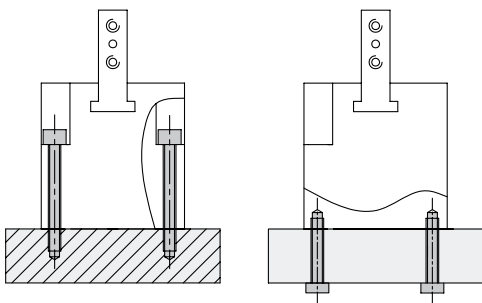


**Operation**

Operating Characteristic ..... Double acting,  
 spring closed  
 Gripping Force @ 100 PSI .... 62 - 632 N (13.8 to 142 lbs)  
 Stroke ..... -3° to +180°  
 Operating Pressure Range ..... 29-100 PSI (2-7 bar)

**Mounting**

Gripper can be mounted on three faces and locates with dowel pin holes for accuracy.



**Warning!** Protect drive and bearing mechanism from falling debris when mounted with fingers up.

**Contents**

P5G-RB1 .....	200
P5G-RB2 .....	201
P5G-RB3 .....	202
Jaw Options .....	203
Spring Assist Option .....	203
Dust Cover Option .....	203
Ordering Information .....	204
Seal Kits .....	204

**P5G-RB1**

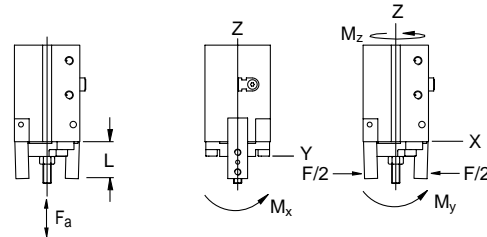
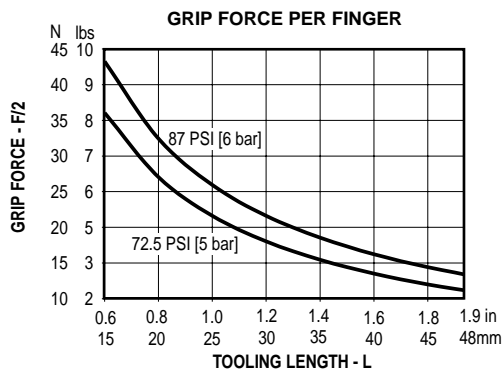


Total Grip Force (0.7 Mpa @ 25 mm)	13.8 lbs	61.4 N
Total Stroke (Degree)	-3 to +180	
Weight w/ square jaw carrier	0.264 lbs	0.12 kg
Bore Size	0.6299 in	16 mm
Cylinder Volume	0.222 in <sup>3</sup>	3.65 cm <sup>3</sup>
Repeatability	±0.003 in	±0.1 mm
Temperature Range*	-4° to 158° F	-20° to 70° C
Pressure Range	29-100 psi	2-7 bar
Filtration Requirement	40 micron (dry air)	

\* Flourcarbon seals available for high temperature applications

**Note:** See model code and ordering information page for complete part number selection.

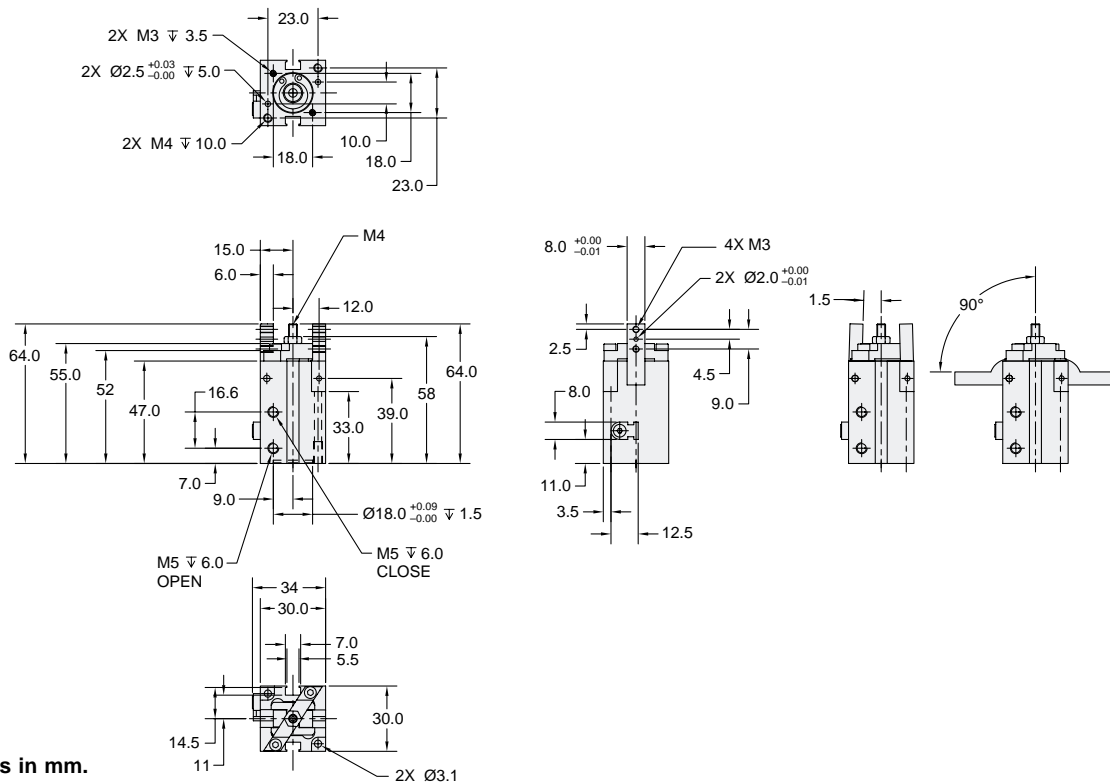
**Loading Information**



**Maximum Loading Capacity**

Load	Static	
Axial Forces (Fx)	11.2 lbs	50 N
Moment (Mx)	17.7 in-lbs	2 Nm
Moment (My)	17.7 in-lbs	2 Nm
Moment (Mz)	11.5 in-lbs	1.3 Nm

**Dimensional Information**



Dimensions in mm.



**P5G-RB2**

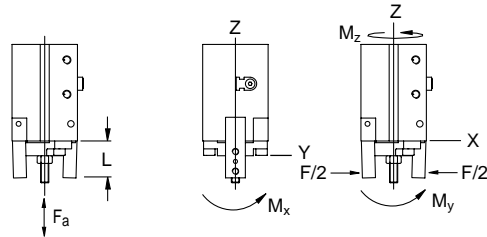
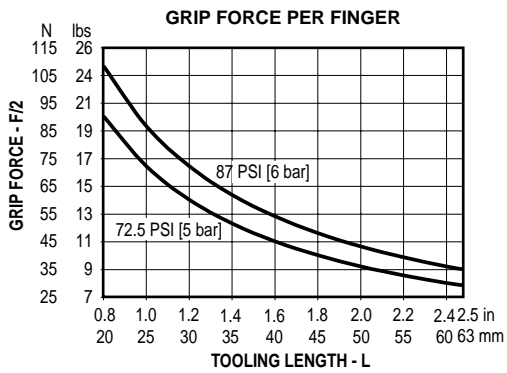


Total Grip Force (0.7 Mpa @ 25 mm)	45.6 lbs	203 N
Total Stroke (Degree)	-3 to +180	
Weight w/ square jaw carrier	0.63 lbs	0.29 kg
Bore Size	0.984 in	25 mm
Cylinder Volume	0.71 in <sup>3</sup>	11.7 cm <sup>3</sup>
Repeatability	±0.003 in	±0.1 mm
Temperature Range*	-4° to 158° F	-20° to 70° C
Pressure Range	29-100 psi	2-7 bar
Filtration Requirement	40 micron (dry air)	

\* Fluorcarbon seals available for high temperature applications

**Note: See model code and ordering information page for complete part number selection.**

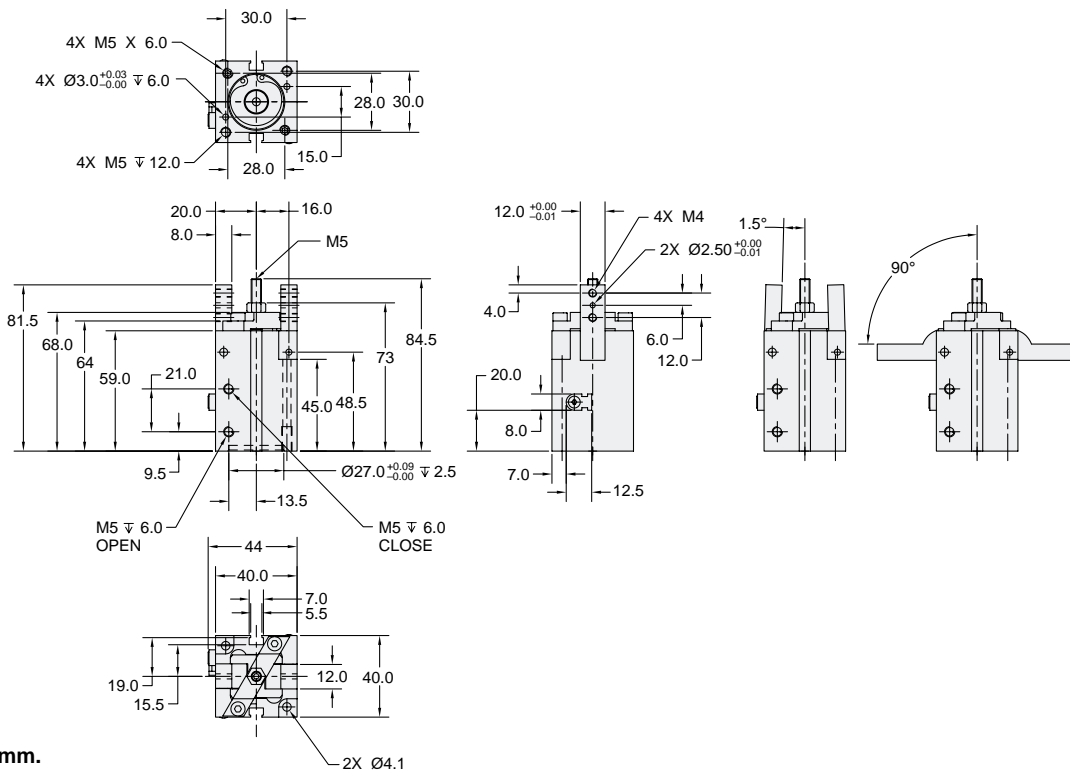
**Loading Information**



**Maximum Loading Capacity**

Load	Static	
Axial Forces (Fx)	44.9 lbs	200 N
Moment (Mx)	53.1 in-lbs	6 Nm
Moment (My)	53.1 in-lbs	6 Nm
Moment (Mz)	38.9 in-lbs	4.4 Nm

**Dimensional Information**



Dimensions in mm.

**P5G-RB3**

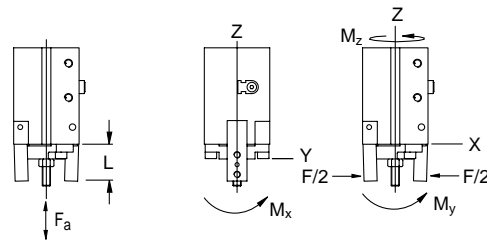
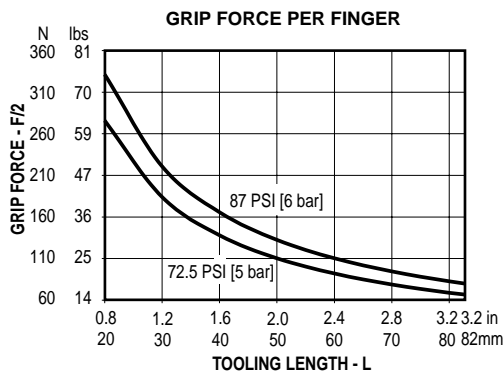


Total Grip Force (0.7 Mpa @ 25 mm)	142 lbs	632.2 N
Total Stroke (Degree)	-3 to +180	
Weight w/ square jaw carrier	1.43 lbs	0.65 kg
Bore Size	1.57 in	40 mm
Cylinder Volume	2.2 in <sup>3</sup>	36.1 cm <sup>3</sup>
Repeatability	±0.003 in	±0.1 mm
Temperature Range*	-4° to 158° F	-20° to 70° C
Pressure Range	29-100 psi	2-7 bar
Filtration Requirement	40 micron (dry air)	

\* Fluorcarbon seals available for high temperature applications

**Note:** See model code and ordering information page for complete part number selection.

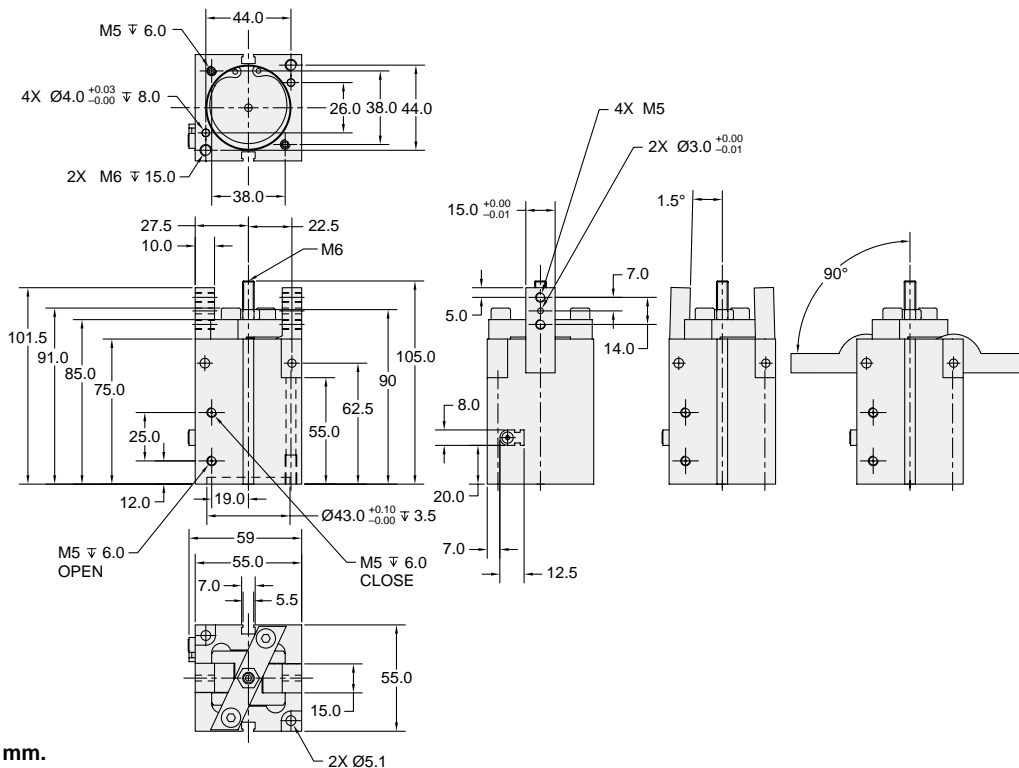
**Loading Information**



**Maximum Loading Capacity**

Load	Static	
Axial Forces (Fx)	71.9 lbs	320 N
Moment (Mx)	159.3 in-lbs	18 Nm
Moment (My)	159.3 in-lbs	18 Nm
Moment (Mz)	146 in-lbs	16.5 Nm

**Dimensional Information**



Dimensions in mm.

### **Dust Cover (K)**

A dust cover can be added to prevent machining chip contaminants from entering the working mechanism of the gripper. This dust cover is also ideal for dusty and dirty environments

---

### **Reed and Hall Effect Sensors**

Reed or Hall effect sensors mount in the sensor mounting grooves located in the gripper body. A magnetic piston is standard for ease of field addition of sensors.

**Model Code and Ordering Information**

**P5G - R B 1 3 R K 00 180**

**Type**

P5G – Pneumatic Gripper

**Series**

R – Robotic

**Jaw Style**

B – Long Jaws (Standard)

**Size**

- 1 – 16mm Bore
- 2 – 25mm Bore
- 3 – 40mm Bore

**Flow Controls**

3 – Flow Controls (Standard)

**Operation**

R – Double Acting (Standard)

**Dust Cover**

- M – No Dust Cover (Standard)
- K – Dust Cover

**Function**

00 – Standard

**Angle**

180 – Standard

**Seal Kits**

Size	Nitrile Seal Kit
P5G-RB1	PSK-P5G-RB1
P5G-RB2	PSK-P5G-RB2
P5G-RB3	PSK-P5G-RB3