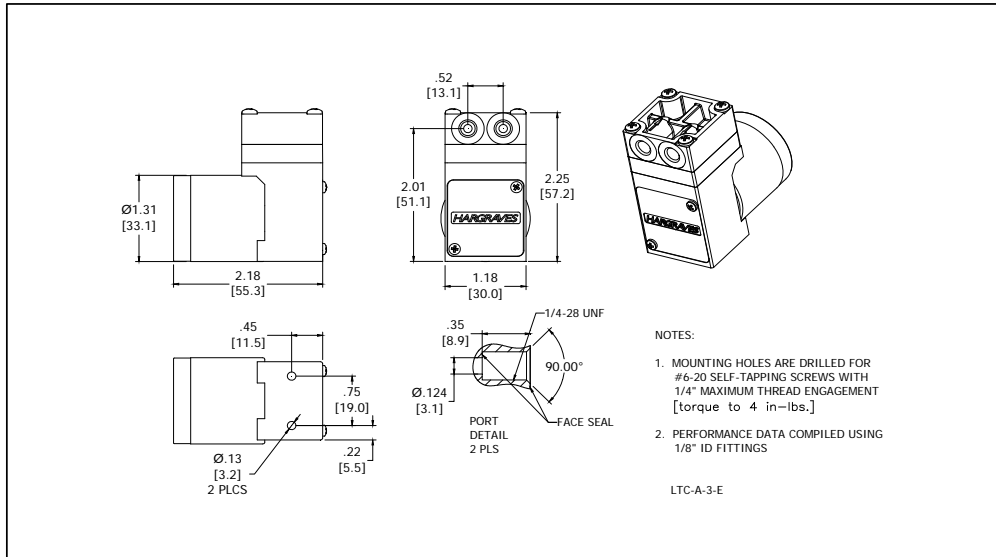




Part No.: **W312-11**  
 Model No.: **L.3M06E2.A24VDC**  
 Description: **LTC Diaphragm Pump, Brushless Motor**

Mooresville, North Carolina 28117  
 T: 704-662-3500 F: 704-662-8744  
 www.hargravesfluidics.com

**Dimensional Layout:**



**Specifications:**

**1. Wetted Materials:** Pump Head: Vectra [LCP]  
 Valves: AEPDM [Q80]  
 Diaphragm: EPDM [M65-350]  
 Gasket: EPDM [80]

**3. Electrical:** Motor: Brushless Dual Bearing  
 Operating Voltage: 24.0 VDC  
 In-rush Current: 5 x Operating Current for up to 50 ms  
 Recommended Fusing: Slow Blow @ 2 x Operating Current

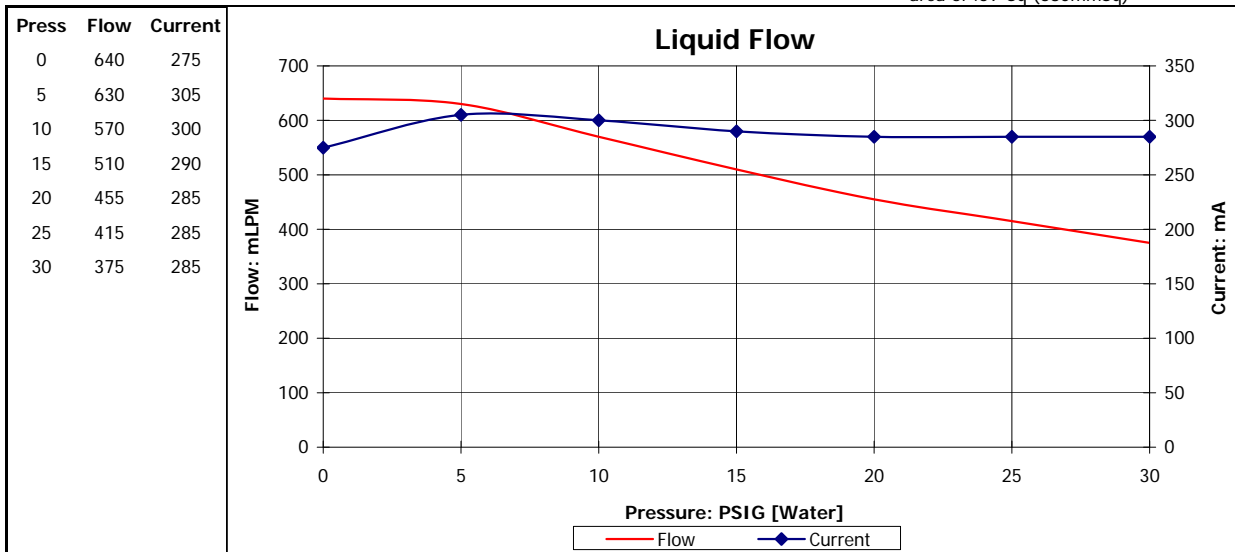
**2. Performance:**

	<u>Continuous</u>	<u>Maximum</u>
- Vacuum: in Hg [Air]	14.5	14.5
- Pressure: PSIG [Air]	15.5	15.5
- Pressure: PSIG [Water]	30.0	30.0

**4. Other:** Temperature Range: 5 - 50° C  
 Free Flow Liquid RPM: 3200  
 Eccentric: A300

**5. Operating Limitations:** Not configured for pressures above 30 PSIG.

**6. Recommended Filtration:** 40 Micron media w/ a minimum surface area of .59"Sq (380mmSq)



The above graph denotes nominal performance at 800' above sea level, 24°C, and at the specified voltage. Performance may vary with other fluids.

**PR**