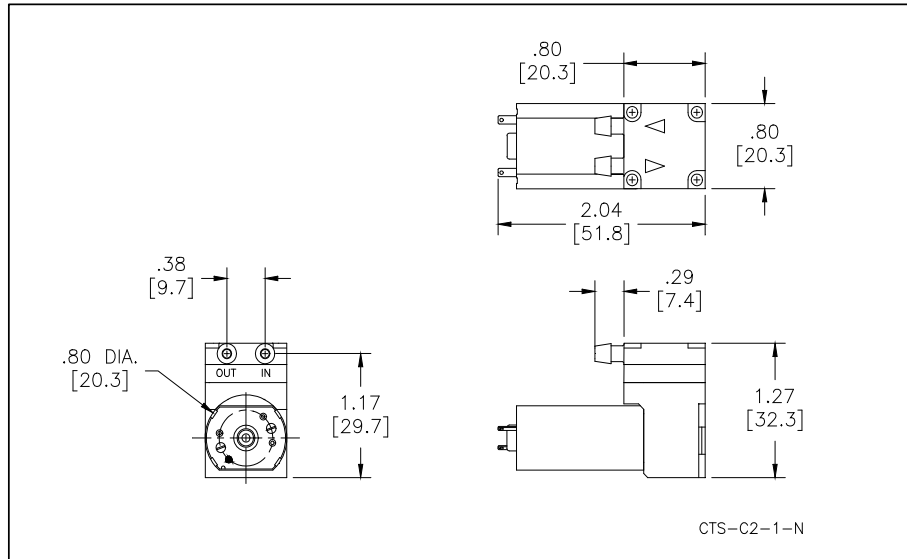




Part No.: **E161-11-050**  
 Model No.: **A.1F11N1.C05VDC**  
 Description: **CTS Diaphragm Pump, Brush Motor**

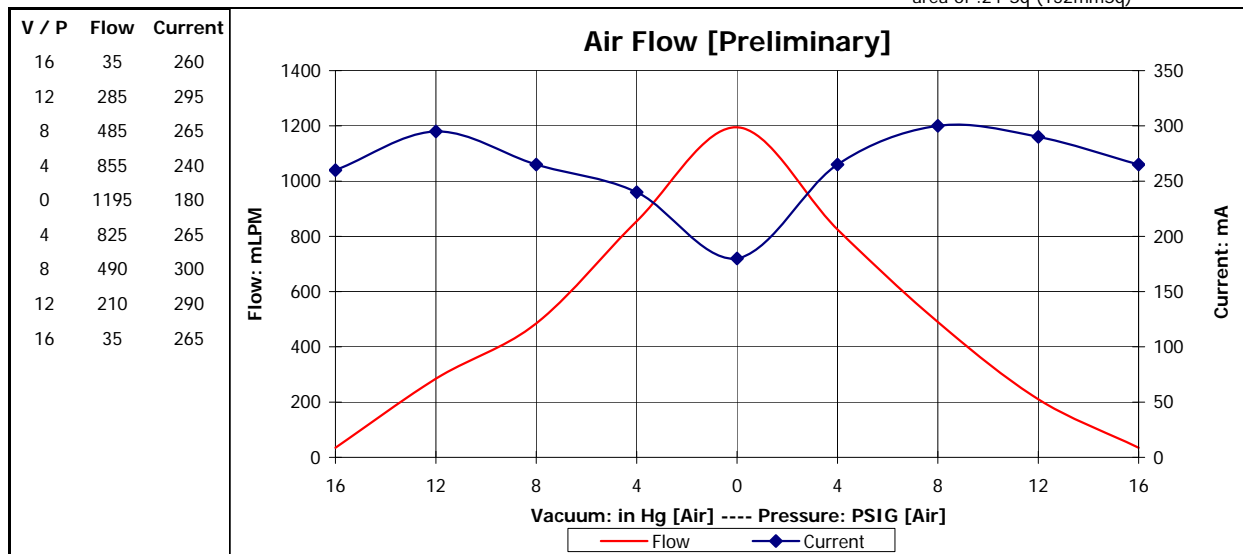
Mooresville, North Carolina 28117  
 T: 704-662-3500 F: 704-662-8744  
 www.hargravesfluidics.com

**Dimensional Layout:**



**Specifications:**

- |                             |                  |                |                       |                     |                                       |
|-----------------------------|------------------|----------------|-----------------------|---------------------|---------------------------------------|
| <b>1. Wetted Materials:</b> | Pump Head:       | Polysulfone    | <b>3. Electrical:</b> | Motor:              | Brush Sleeve Bearing                  |
|                             | Retainer Washer: | Polysulfone    |                       | Operating Voltage:  | 5.0 VDC                               |
|                             | Retainer Screw:  | 18-8 Stainless |                       | In-rush Current:    | 5 x Operating Current for up to 50 ms |
|                             | Valves:          | EPDM [65]      |                       | Recommended Fusing: | Slow Blow @ 2 x Operating Current     |
|                             | Diaphragm:       | AEPDM [F80]    |                       |                     |                                       |
- 
- |                        |                        |                   |                |                  |                    |           |
|------------------------|------------------------|-------------------|----------------|------------------|--------------------|-----------|
| <b>2. Performance:</b> |                        | <u>Continuous</u> | <u>Maximum</u> | <b>4. Other:</b> | Temperature Range: | 5 - 50° C |
|                        | - Pressure: PSIG [Air] | 16.5              | 16.5           |                  | Free Flow RPM:     | 5765      |
|                        | - Vacuum: in Hg [Air]  | 16.4              | 16.4           | Eccentric:       | E350               |           |
- 
- 5. Operating Limitations:** N/A
- 6. Recommended Filtration:** 40 Micron media w/ a minimum surface area of .24" Sq (152mmSq)



The above graph denotes nominal performance at 800' above sea level, 24°C, and at the specified voltage.

PR