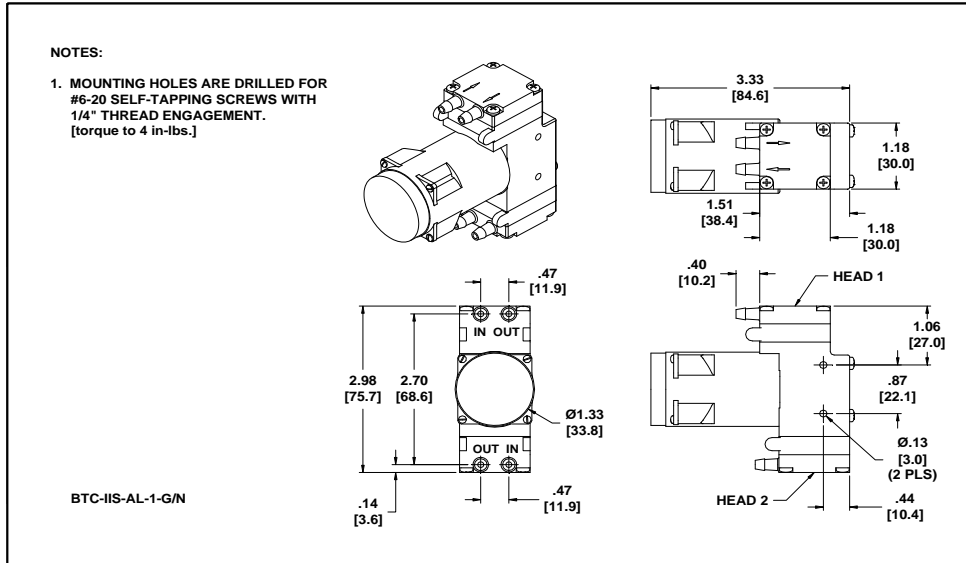




Mooresville, North Carolina 28117
 T: 704-662-3500 F: 704-662-8744
 www.hargravesfluidics.com

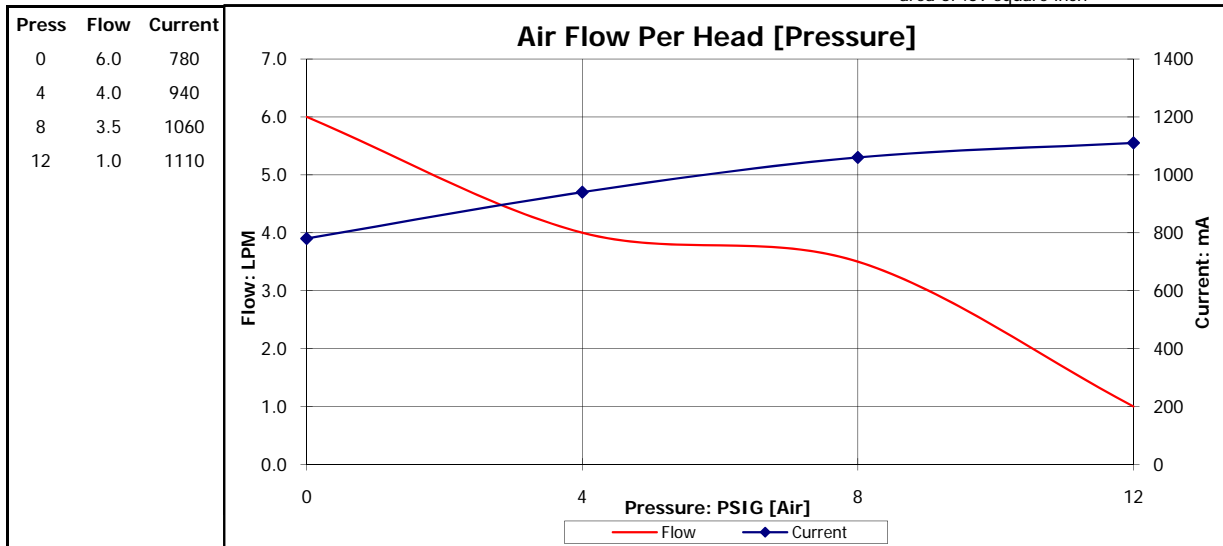
Part No.: **D737-13**
 Model No.: **C.1C60G1.1C60N1.A12VDC**
 Description: **BTC-IIS Diaphragm Pump, Long Stack Brushless Motor**

Dimensional Layout:



Specifications:

- | | | | | | | |
|-----------------------------|------------------|---------------------|-----------------------|--------------------|-----------------------------------|--|
| 1. Wetted Materials: | Pump Head: | Vectra [LCP] | 3. Electrical: | Motor: | Brushless, Dual Bearing | |
| | Retainer Washer: | 2024 Alum [750/750] | | | Longstack | |
| | Retainer Screw: | 316 Stainless | | | Operating Voltage: | 12.0 VDC |
| | Valves: | AEPDM [Q80/Q80] | | | In-rush Current: | 5 x Operating Current for up to 50 ms |
| | Diaphragm: | AEPDM [C80/C80] | | | Recommended Fusing: | Slow Blow @ 2 x Operating Current |
| | Gasket: | EPDM [65] | | Temperature Range: | 5 - 50° C | |
| 2. Performance: | | <u>Continuous</u> | <u>Maximum</u> | 4. Other: | Free Flow RPM: | 3700 |
| | - Pressure PSIG: | Per Head: | 12.0 | | 12.0 | Eccentric: |
| | [Air] | | | | 5. Operating Limitations: | Not configured for vacuum operation or above 12 PSIG |
| | | | | | 6. Recommended Filtration: | 40 Micron media w/ minimum surface area of .59 square inch |



The above graph denotes nominal performance at 800' above sea level at 24 degrees C and at the specified voltage.

PR