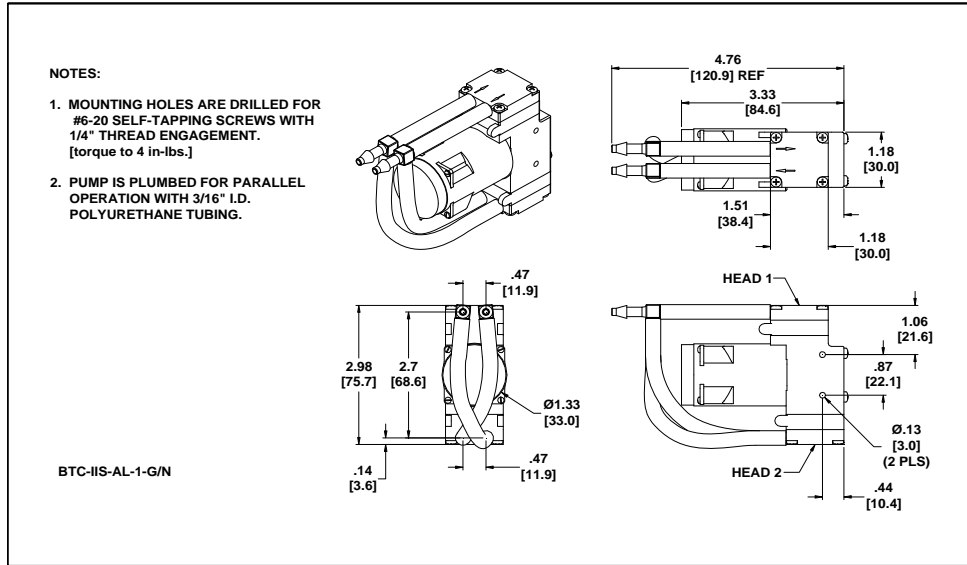




Part No.: **D736A-23-02**  
 Model No.: **C.1C60G1.1C60N1.A24VDC**  
 Description: **BTC-IIS Diaphragm Pump, Long Stack Brushless Motor**

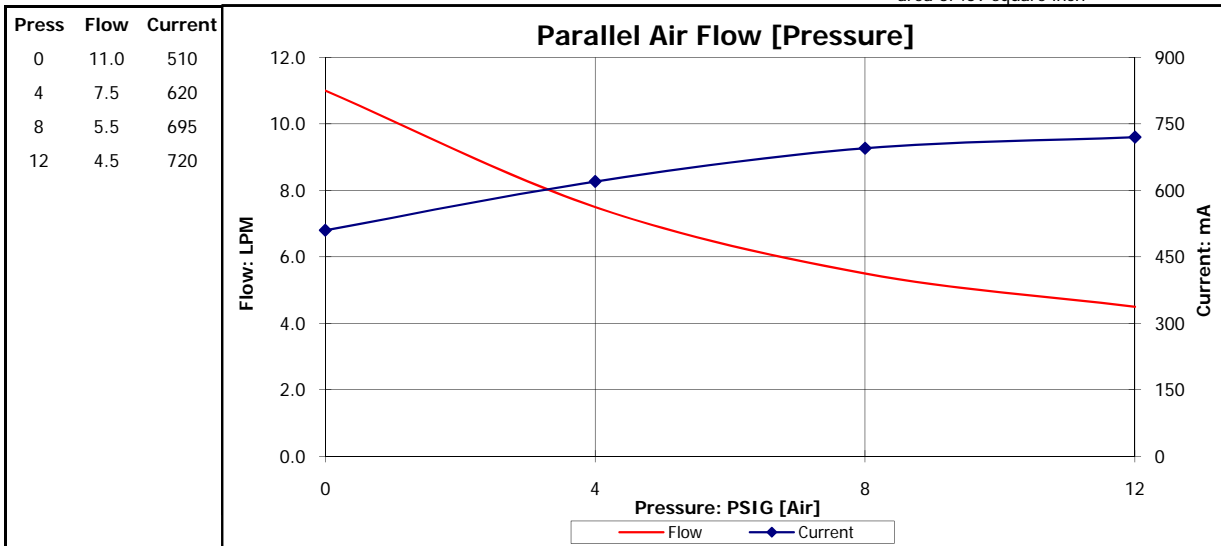
Mooresville, North Carolina 28117  
 T: 704-662-3500 F: 704-662-8744  
 www.hargravesfluidics.com

**Dimensional Layout:**



**Specifications:**

- |                             |                  |                     |                       |                     |                                   |  |
|-----------------------------|------------------|---------------------|-----------------------|---------------------|-----------------------------------|--|
| 1. <b>Wetted Materials:</b> | Pump Head:       | Vectra [LCP]        | 3. <b>Electrical:</b> | Motor:              | Brushless, Dual Bearing           |  |
|                             | Retainer Washer: | 2024 Alum [750/750] |                       |                     | Longstack                         |  |
|                             | Retainer Screw:  | 316 Stainless       |                       |                     | Operating Voltage:                | 24.0 VDC   |
|                             | Valves:          | AEPDM [Q80/Q80]     |                       |                     | In-rush Current:                  | 5 x Operating Current for up to 50 ms                          |
|                             | Diaphragm:       | AEPDM [C80/C80]     |                       | Recommended Fusing: | Slow Blow @ 2 x Operating Current |  |
|                             | Gasket:          | EPDM[65]            |                       | Temperature Range:  | 5 - 50° C                         |  |
| 2. <b>Performance:</b>      |                  | <u>Continuous</u>   | <u>Maximum</u>        | 4. <b>Other:</b>    | Free Flow RPM:                    | 3700   |
|                             | - Pressure PSIG: | Parallel:           | 12.0                  |                     | 12.0                              | Eccentric:   |
|                             | [Air]            |                     |                       |                     | 5. <b>Operating Limitations:</b>  | Not configured for vacuum operation, not for use above 12 PSIG |
|                             |                  |                     |                       |                     | 6. <b>Recommended Filtration:</b> | 40 Micron media w/ minimum surface area of .59 square inch     |



The above graph denotes nominal performance at 800' above sea level at 24 degrees C and at the specified voltage.

**PR**