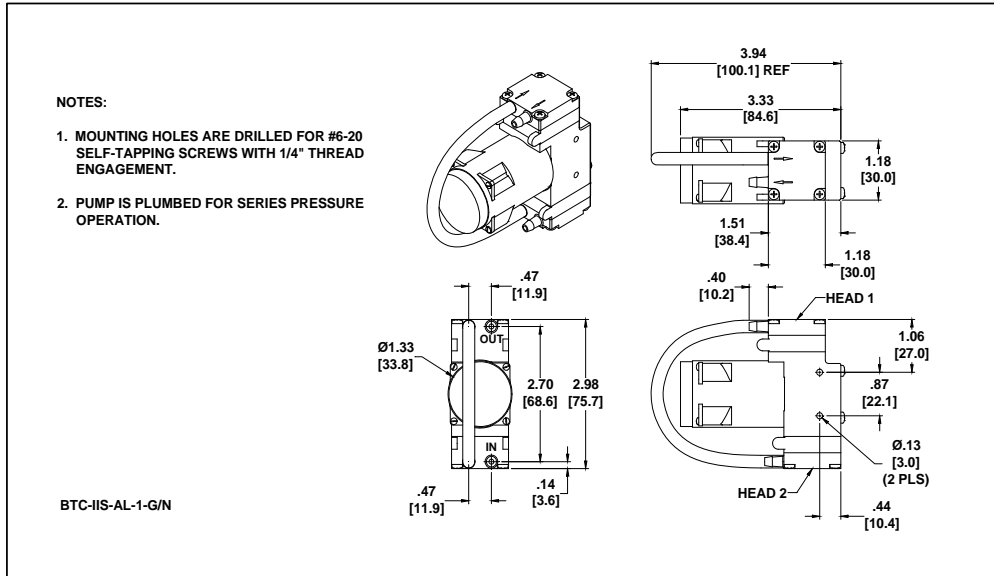




Part No.: **D730A-23-01**
 Model No.: **C.1F20G1.1F20N1.A24VDC**
 Description: **BTC-IIS Diaphragm Pump,
 Long Stack Brushless Motor**

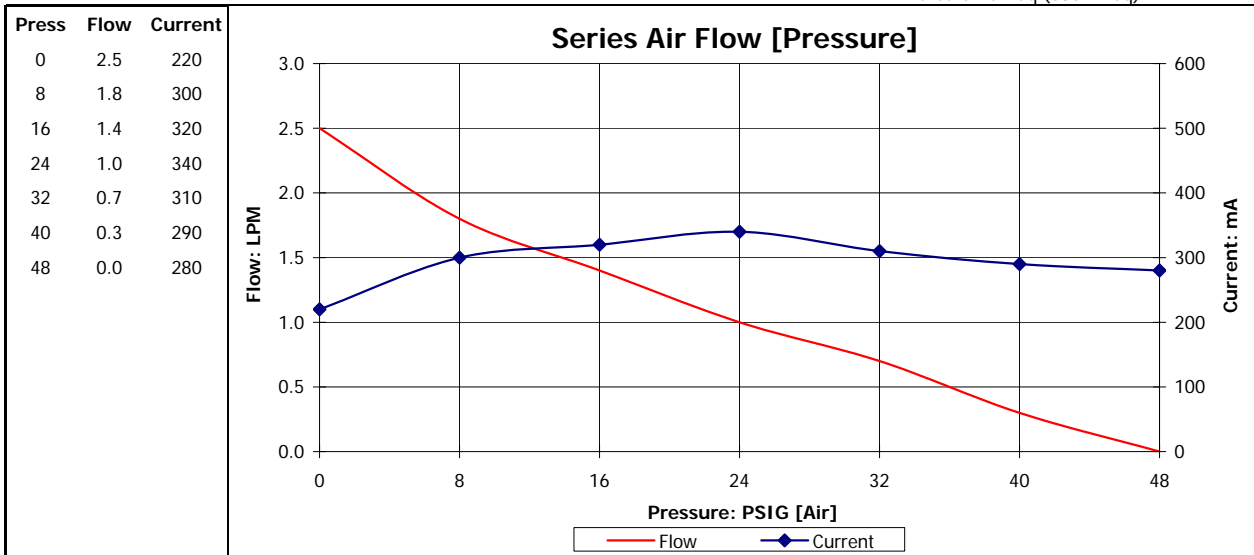
Mooresville, North Carolina 28117
 T: 704-662-3500 F: 704-662-8744
 www.hargravesfluidics.com

Dimensional Layout:



Specifications:

- | | | | | | |
|-----------------------------------|------------------|---------------------|-----------------------------------|---|-------------------------|
| 1. Wetted Materials: | Pump Head: | Vectra [LCP] | 3. Electrical: | Motor: | Brushless, Dual Bearing |
| | Retainer Washer: | 2024 Alum [700/800] | | Operating Voltage: | 24.0 VDC |
| 2. Performance: | Retainer Screw: | 316 Stainless | In-rush Current: | 5 x Operating Current
for up to 50 ms | |
| | Valves: | AEPDM [Q80/Q80] | Recommended Fusing: | Slow Blow @ 2 x
Operating Current | |
| | Diaphragm: | AEPDM [F80R/F80R] | Temperature Range: | 5 - 50° C | |
| | Gasket: | EPDM[65] | Free Flow RPM: | 3600 | |
| - Pressure: PSIG
[AIR] | Series: | 48.0 48.0 | Eccentric: | A375/375 | |
| | 4. Other: | | Temperature Range: | 5 - 50° C | |
| | | | Free Flow RPM: | 3600 | |
| | | | Eccentric: | A375/375 | |
| | | | 5. Operating Limitations: | Not configured for vacuum operation
Configured for restart up to 48 PSIG | |
| | | | 6. Recommended Filtration: | 40 Micron media w/ a minimum surface
area of .59"Sq (380mmSq) | |



The above graph denotes nominal performance at 800' above sea level at 24 degrees C and at the specified voltage.

PR