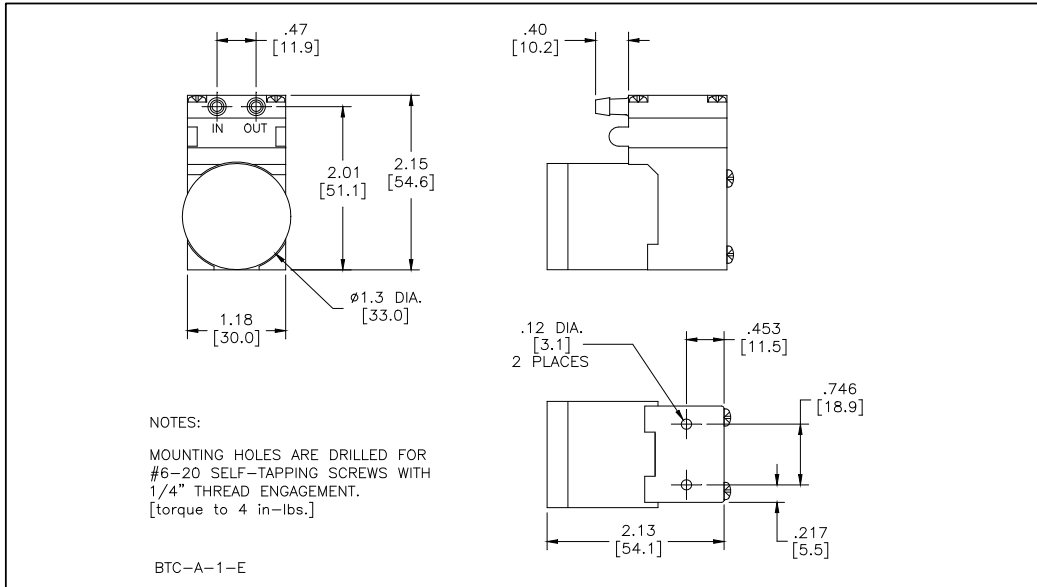




Moorestville, North Carolina 28117
 T: 704-662-3500 F: 704-662-8744
 www.hargravesfluidics.com

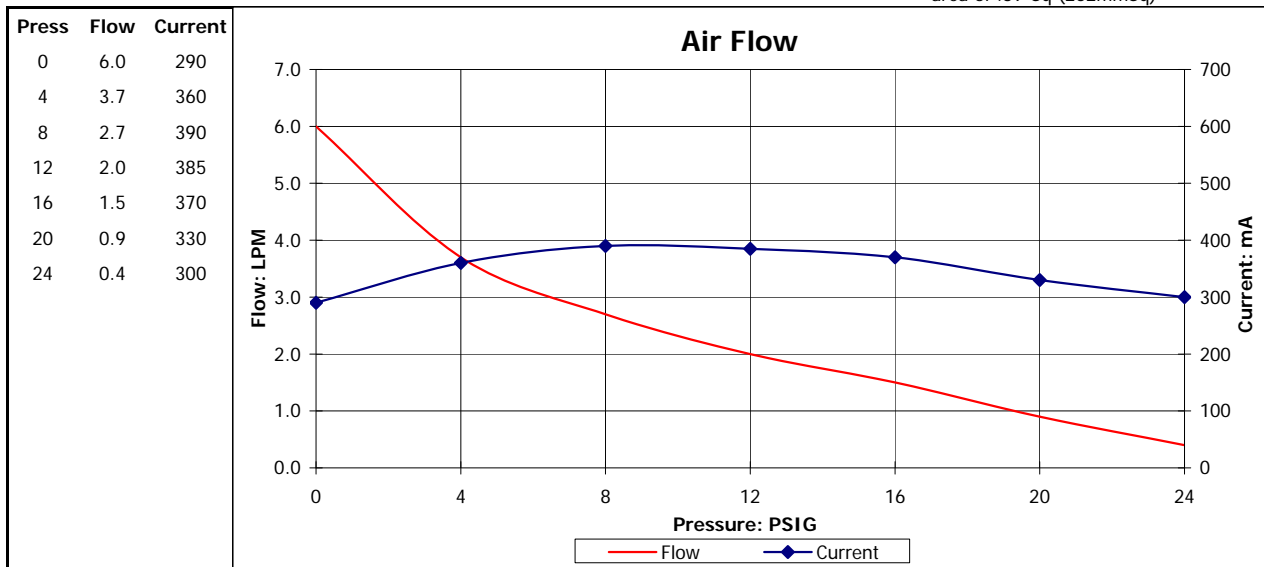
Part No.: **C117H-13**
 Model No.: **B.1C60E1.A24VDC**
 Description: **BTC Diaphragm Pump, Brushless Motor**

Dimensional Layout:



Specifications:

- | | | | | | |
|-----------------------------|---------------------------|--------------------------|-----------------------------------|---|---------------------------------------|
| 1. Wetted Materials: | Pump Head: | Vectra [LCP] | 3. Electrical: | Motor: | Brushless Dual Bearing |
| | Retainer Washer: | 2024 Alum [700] | | Operating Voltage: | 24.0 vdc |
| | Retainer Screw: | 316 Stainless | | In-rush Current: | 5 x Operating Current for up to 50 ms |
| | Valves: | EPDM [Q55] | | Recommended Fusing: | Slow Blow @ 2 x Operating Current |
| 2. Performance: | | | 4. Other: | Temperature Range: | 5 - 50° C |
| | - Pressure [PSIG]: | <u>Continuous</u>
8.0 | | <u>Maximum</u>
24.0 | Free Flow RPM: |
| | | | 5. Operating Limitations: | Not configured for vacuum operation | |
| | | | 6. Recommended Filtration: | 40 Micron media w/ a minimum surface area of .39"Sq (252mmSq) | |



The above graph denotes nominal performance at 800' above sea level, at 24 degrees C and at the specified voltage.

PR