



# INSTALLATION & OPERATION INSTRUCTIONS FOR PRESSURE RELEASING TOOL (PR21S8-XX)

## WARNING!

- Eye protection (goggles) should be worn when installing the Pressure Releasing Tool (PRT).
- The Packing Adjuster must be tightened to ensure leakage will not occur through the Stem Packing.
- The Stinger Stem and Fitting Face must be clean.
- High pressure discharge of grease or product will result when using this tool.
- Always stand clear of the discharge hose or piping connected to the Vent Port.
- The 1/4" NPT vent port is NOT rated to contain pressure. Do NOT plug or obstruct this vent.
- The Maximum Allowable Working Pressure of this tool is 20,000 psi. DO NOT EXCEED.

## Installation

1. Before attaching the PRT to the fitting, verify that the O-ring is in place to seal against the fitting face. Also retract the Stinger until it is inside the Swivel Nut. (See Figure 1.)
2. Install the Swivel Nut onto the lube fitting by hand. Turn clockwise until the Swivel Nut draws the PRT tight against the top of the fitting. **NOTE: Full thread engagement onto the lube fitting is required for safe installation.**

## Operation

Turn the Stinger Handle clockwise until the Stinger contacts the Ball. (See Figure 2.)

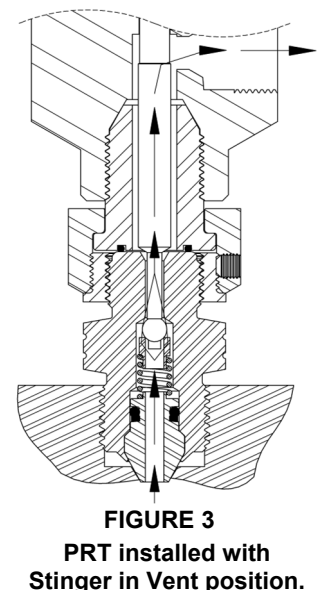
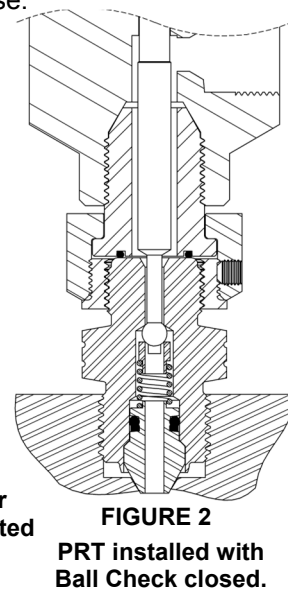
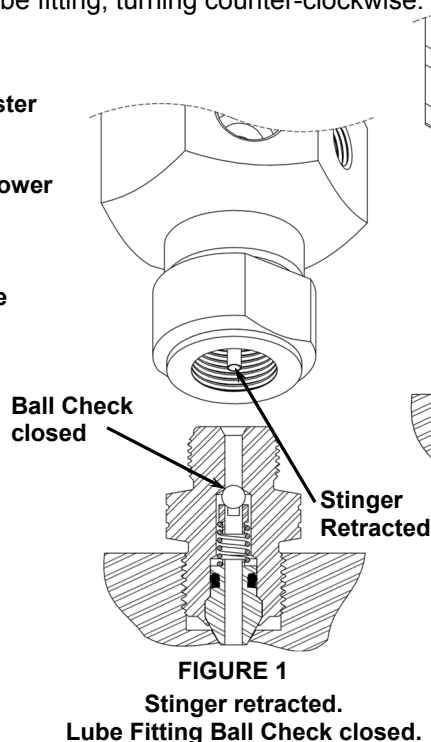
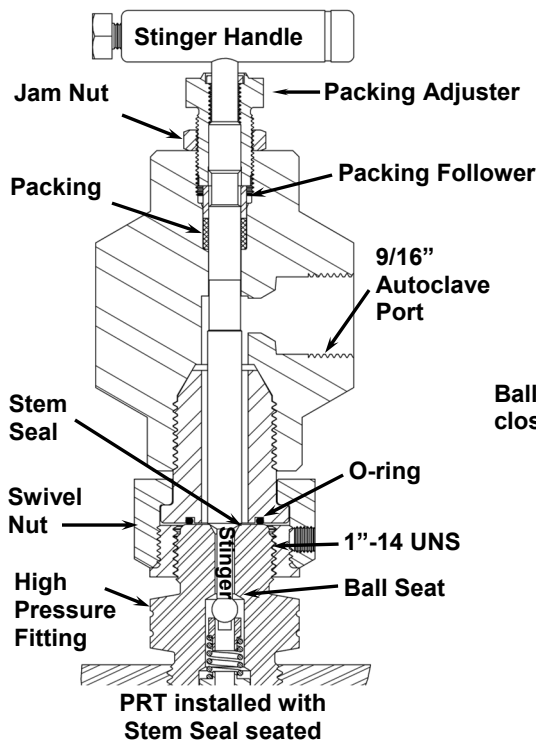
To Vent: With the Vent Valve open and the Bleed Valve open, turn the Stinger Handle clockwise to force the Fitting Ball off its Seat. To achieve full venting, turn the Stinger Handle one (1) full turn. (See Figure 3.)

When all pressure has been vented, turn the Stinger Handle counter-clockwise to reseat the Ball.

To Read Pressure: With the Vent Valve closed and the Bleed Valve closed, turn the Stinger Handle clockwise to force the Fitting Ball off its Seat. Read the Pressure Gauge (not included). To reseat the Ball, turn the Stinger handle counter-clockwise, then open the Vent Valve to release the pressure.

## Removal

1. To remove the PRT, retract the Stinger until out of contact with the Ball.
2. Open the Manifold Valve and the Vent Valve to ensure all pressure has been vented.
3. Remove the Swivel Nut from the lube fitting, turning counter-clockwise.



*While this information is presented in good faith and believed to be accurate, Individuals using this literature must exercise their independent judgment in evaluating product selection and determining product appropriateness for their particular purpose, system requirements and certifications. The manufacturer reserves the right to change product designs and specifications without notice.*