

Severe Service Root and Blow-Down Valves

Engineered specifically for high-pressure power applications. Meets ASME Standard B31.1



Demanding pressure? Demand Parker.

Our root and blow-down valves have been engineered specifically to meet the severe service requirements of power applications. With sizes through 1", these U Series needle valves are **pressure-rated at up to 6000 psig/414 bar**, and **temperature-rated from -65°F to 1200°F** (-54°C to 649°C) with Grafoil® packing and our high temperature option. A non-rotating lower stem helps extend packing life by removing rotation from the packing area. In addition, stem packing below the threads isolates the thread lubricant from the flow, ensuring adequate lubrication regardless of the media.



Contact Information:

Parker Hannifin Corporation
Instrumentation Products Division
2651 Alabama Highway 21 North
Jacksonville, AL 36265

phone 256 435 2130
fax 256 435 7718
ipdsales@parker.com

www.parker.com/ipdus

Product Features:

- Union bonnet design
- Packing below the power threads
- Dust seal in the packing nut
- Stem swivel above the packing
- Choice of Grafoil® or PTFE packing
- Choice of regulating or blunt stem types
- 316 stainless steel
- Wide variety of US customary and SI ports
- Panel mountable
- 100% factory tested

Product Benefits:

- High integrity seal under severe service
- Protects and isolates thread lubricants from the media
- Prevents external contamination
- Eliminates entrapment area and increases packing life
- Varying temperature resistance
- Blunt stem type helps combat wire draw in the presence of steam
- Reliable and long-wearing
- Flexible for a wide variety of plumbing designs
- Suitable for high vibration applications
- Quality-assured



ENGINEERING YOUR SUCCESS.

Product Specifications:

Pressure Rating:

6000 psig (414 bar) CWP

Temperature Ratings:

PTFE packing:

-65° F to 450° F (-54° C to 232° C)

Grafoil® packing with HT option:

-65° F to 1200° F (-54° C to 649° C)

Orifice: .177" to .437" (4.5mm to 11.1mm)

Cv: .53 to 3.55

End Connection Types:

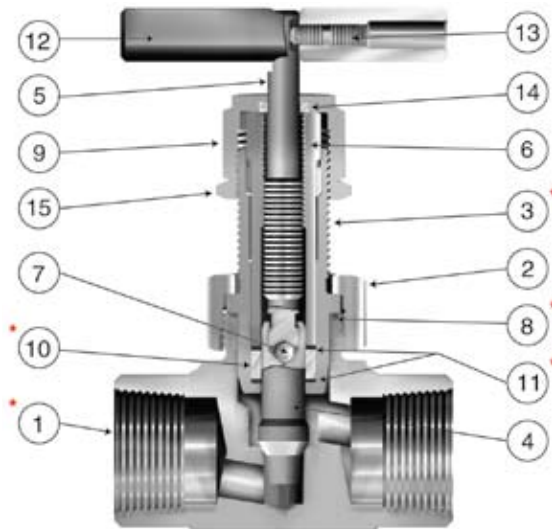
- NPT
- Compression/A-LOK®
- Pipe socket weld
- Tube socket weld
- Pipe butt weld
- Tube butt weld

Ordering:

Please add "QC311" as a suffix to the base part number for ASME compliant valves. (For example: 8F-U12LR-G-SS-QC311).

Materials of Construction:

Item #	Description	Material
*1	Body	ASTM A 182, Type F316
2	Bonnet Nut	ASTM A 479, Type 316
*3	Bonnet	ASTM A 479, Type 316
4	Lower Stem	ASTM A 479, Type 316
5	Upper Stem	ASTM A 564, Type 630
6	Stem Guide	ASTM A 581, Type 416
7	Ball	440-C Stainless Steel
*8	Bonnet Seal**	Nickel-Chromium-Iron Alloy
9	Packing Nut	ASTM A 479, Type 316
*10	Packing***	Grafoil®
*11	Packing Washer	316 Stainless Steel
12	Handle****	Aluminum
13	Handle Screw	316 Stainless Steel
14	Dust Seal*****	Nylon 6/6
15	Locking Nut	Stainless Steel



* Wetted parts

** Not required on U6 and U12 Series which have metal-to-metal seals

*** Optional PTFE packing is available

**** Handle material is stainless steel with HT option

***** Dust Seal not available with HT option

Lubrication: Molybdenum disulfide with soft metallic fillers

Questions on severe service valves?

Contact your authorized Parker Instrumentation distributor, or the Parker Instrumentation Division at **256-435-2130**.

Grafoil® is a registered trademark of GrafTech International LTD.

