

Reverse Flush Strainer

Code 5075 - Filtration Equipment



Customer Value Proposition:

The Parker Conflow Compact Reverse Flusher provides filtration in fluid systems with the minimum amount of downtime for element cleaning.

The unit includes a shut off valve prior to the filter element. Not only can this be used to isolate the system being fed, but the handle used for this purpose also controls the back flushing operation.

The control handle features a ratchet, which ensures the back flushing sequence takes place every time the valve is turned from ON to OFF.

The ratchet mechanism also enables the unit to be installed where space is limited. The element used is the 'V' wire type, which is especially effective for back flushing use.



Contact Information:

Parker Hannifin Manufacturing Ltd.
Instrumentation Products Division Europe
President Park, President Way
Sheffield S4 7UR

phone 0044 (0) 114 224 0000
sales@conflow.com

www.parker.com/ipd

Product Features:

- 2" BSP & NPT versions available
- Maximum working pressure 70 bar
- Low pressure drop
- Primary and secondary flush cycles
- Unique, ratchet handle operation
- 3/4" drain port

Typical Applications:

Filtration of water to:

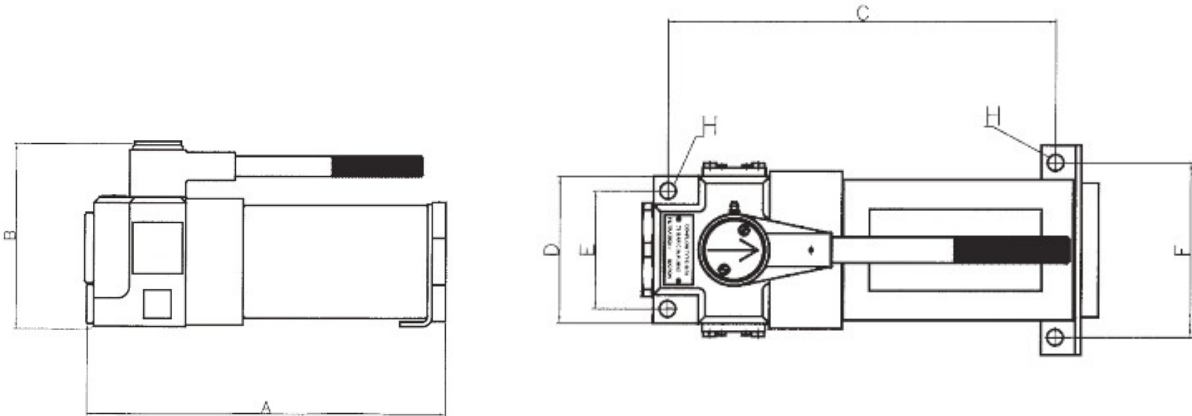
- Longwall faces
- Shearers
- Continuous miners
- Belt sections
- Emulsion tanks



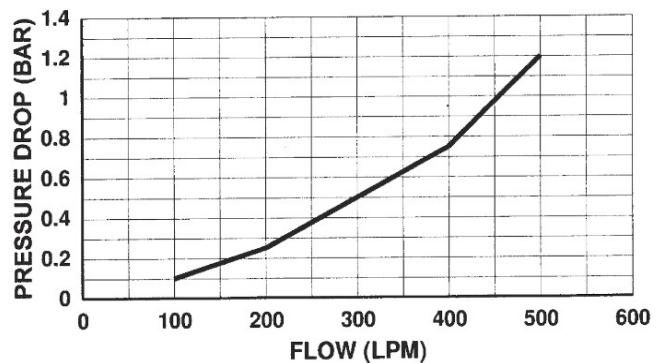
ENGINEERING YOUR SUCCESS.

Technical Information

Reverse Flush Strainer - Code 5075



Specifications		
A	395 mm	15.5"
B	197 mm	7.76"
C	335 mm	13.19"
D	135 mm	5.31"
E	101.5 mm	4"
F	150 mm	5.91"
H	ø 14 mm	ø 0.55"
Weight	26 kg	



How to Order

Part Number	Connection	Filter
CODE-5075-NPT-V1	2" NPT	500 Micron Filter
CODE-5075-NPT-V2	2" NPT	No Filter
CODE-5075-NPT-V3	2" NPT	200 Micron Filter
CODE-5075-NPT-V4	2" NPT	100 Micron Filter
CODE-5075-V1	2" BSP	100 Micron Filter
CODE-5075-V2	2" BSP	500 Micron Filter
CODE-5075-V3	2" BSP	200 Micron Filter
CODE-5075-V4	2" BSP	250 Micron Filter

The information on this data sheet is accurate to the best of Parker Conflow's knowledge, however we reserve the right to alter the product specification at any time. For any specific updated detail, please contact us.

© 2018 Parker Hannifin Corporation

Code 5075 Dec 2018



Parker Hannifin Manufacturing Ltd.
Instrumentation Products Division
Europe

President Park, President Way
Sheffield S4 7UR
phone +44 (0) 114 224 0000
www.parker.com/ipd