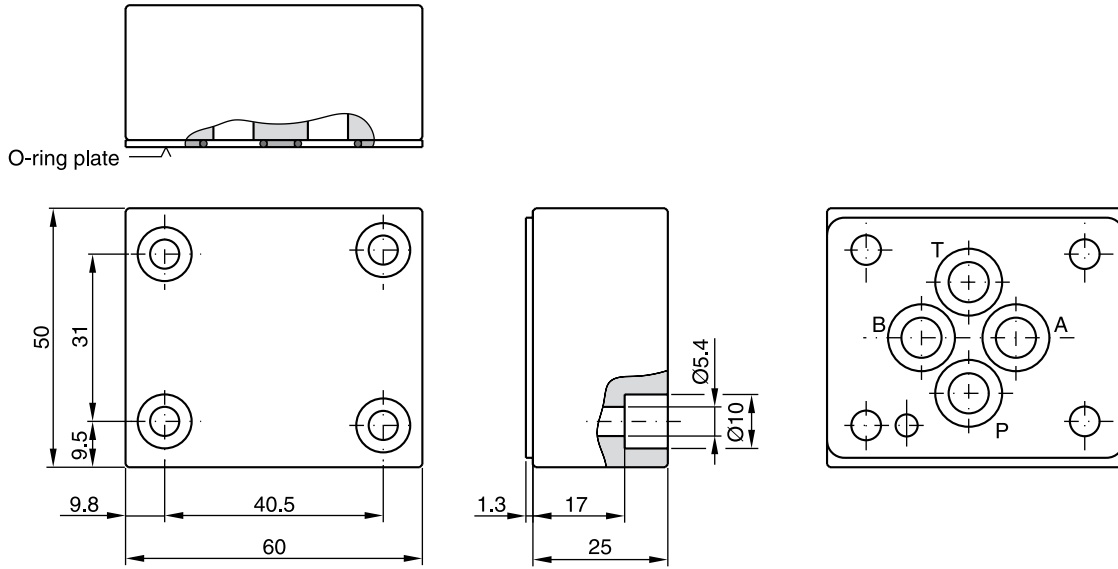


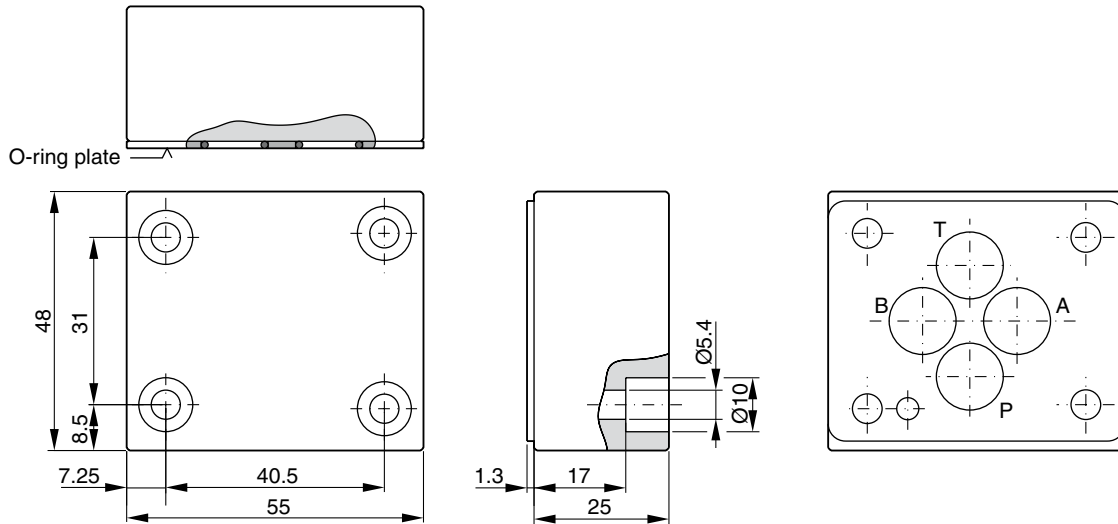
Characteristics

Cover plate D51DC071D, CETOP 03 / NG06



Symbol	Ordering code	Bolt Kit	Bolt dimensions	Torque
	D51DC071D CETOP 03 (O-rings and O-ring plate included in delivery)	BK 399	M5x25 ISO 4762-12.9	7.6 Nm ±15 %

Cover plate D51VP071C, CETOP 03 / NG06



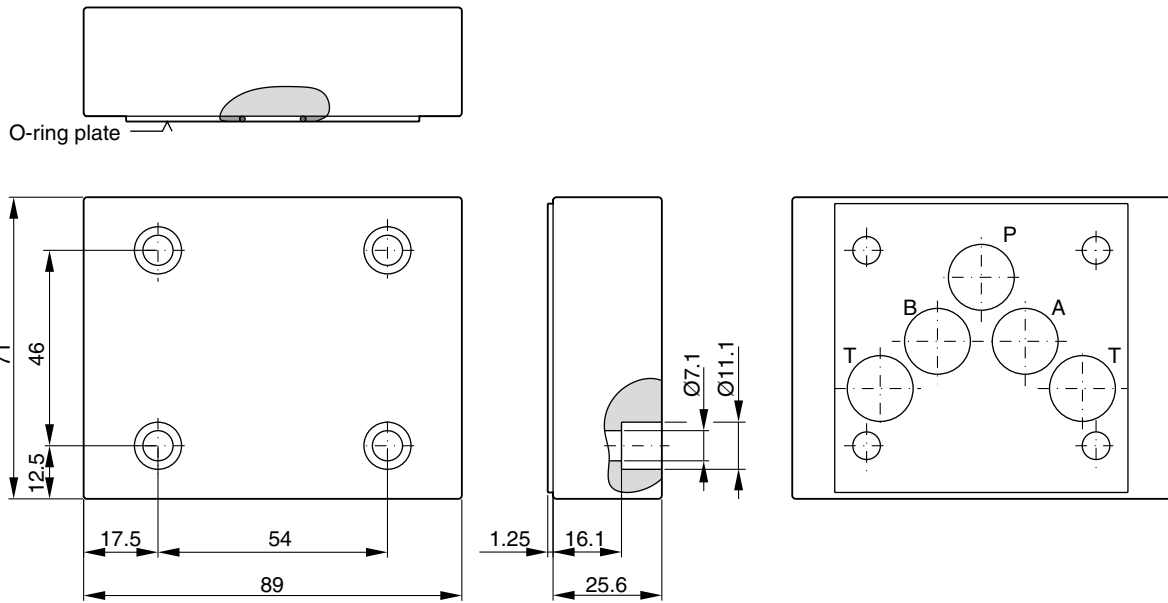
Symbol	Ordering code	Bolt Kit	Bolt dimensions	Torque
	D51VP071C CETOP 03 (O-rings and O-ring plate included in delivery)	BK 399	M5x25 ISO 4762-12.9	7.6 Nm ±15 %

12



Characteristics

Cover plate D51VP101D, CETOP 05 / NG10



Symbol	Ordering code	Bolt Kit	Bolt dimensions	Torque
	D51VP101D CETOP 05 (O-rings and O-ring plate included in delivery)	BK 408	4x M6x25 ISO 4762-12.9	13.2 Nm $\pm 15\%$

