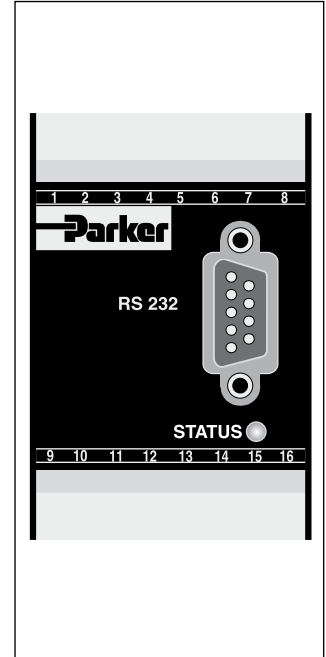
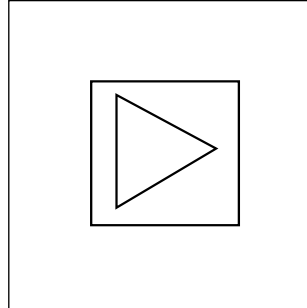


Characteristics / Ordering Code

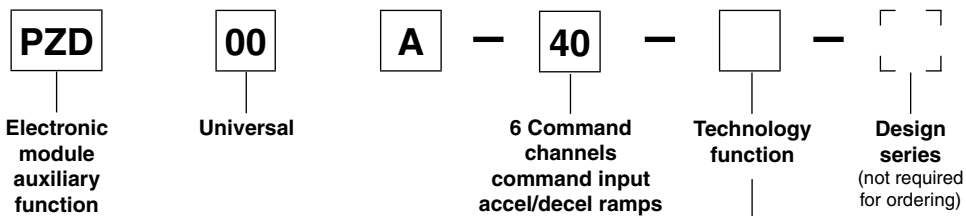
Parker electronic modules PZD00A-40* for rail mounting are compact, easy to install and provide time-saving wiring by disconnectable terminals. The digital design of the circuit results in good accuracy and optimal adaption for command signal processing by a comfortable interface program. The electronic unit may be connected in series to proportional valves with onboard electronic as well as to amplifier modules P*D.

Features

- Digital circuit design
- Six parameterizable command channels with optional additive or priority dependent signal processing
- Output stage with different signal options
- Input stage with different signal options
- Status output
- Four-quadrant ramp function
- Reference output for potentiometer supply
- Status indicator
- Parametering by serial interface RS232C
- Connection by disconnectable terminals
- Compatible to the relevant European EMC standards
- Optional technology function "linearization"
- Comfortable PC user software, free of charge: www.parker.com/euro_hcd - see "Support", or directly at www.parker.com/propxd.



Ordering code



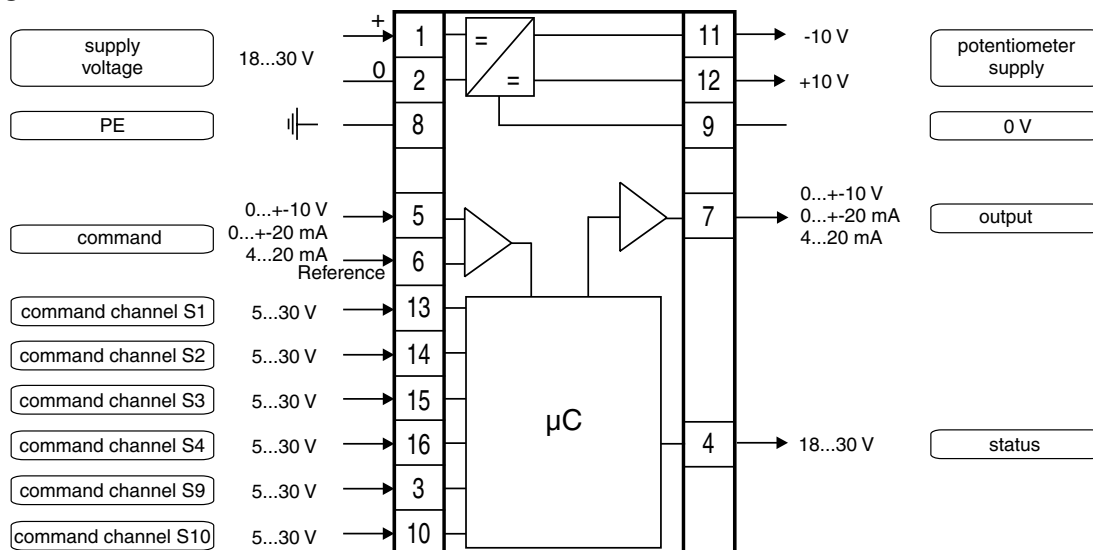
Code	Function
0	Standard
1	Linearization option

11

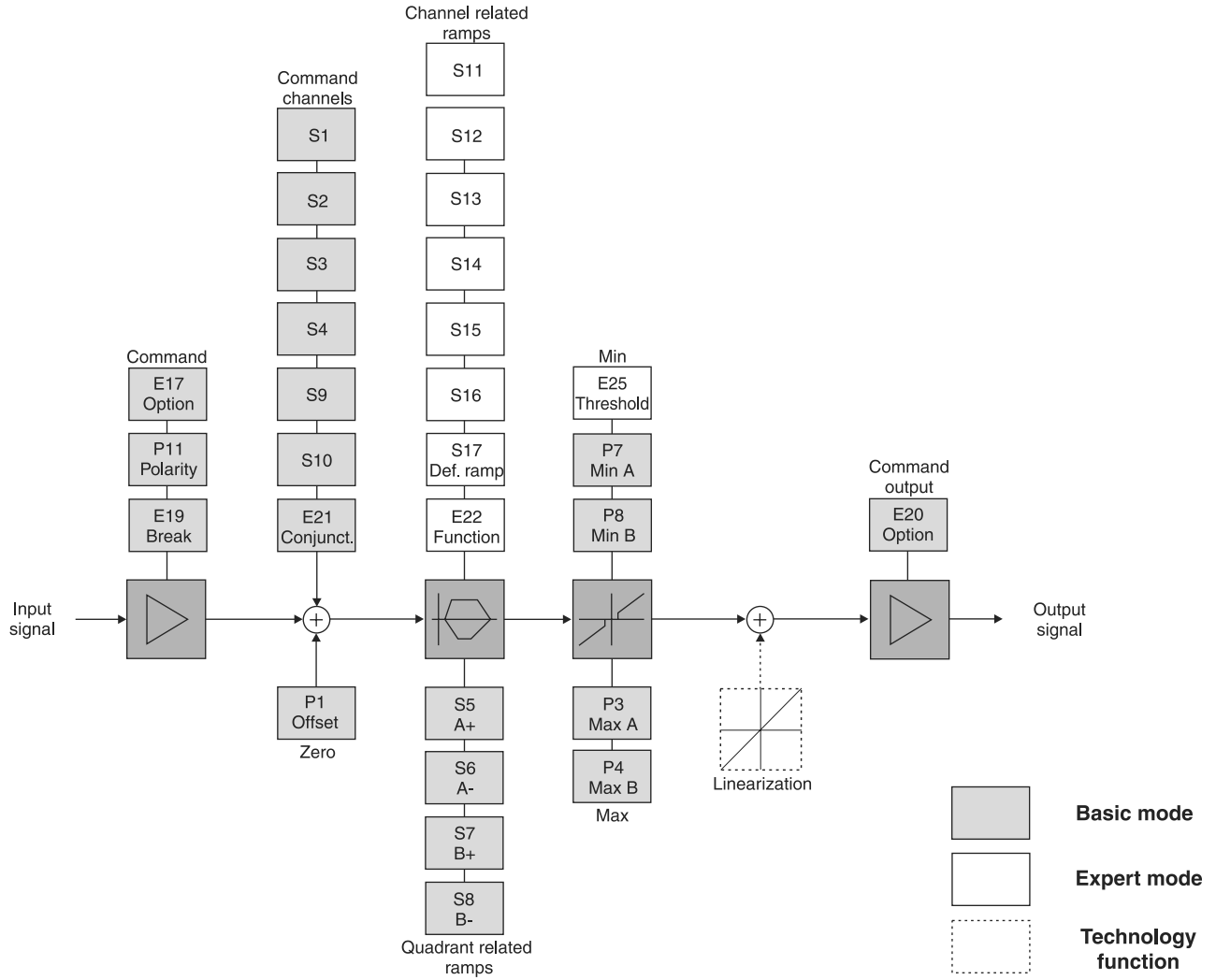
Technical data

General	
Model	Module package for snap-on mounting on EN 50022 rail
Package material	Polycarbonate
Inflammability class	V0 acc. UL 94
Installation position	unrestricted
Amb. temperature range	[°C] -20...+60
Protection class	IP 20 acc. EN 60529
MTTF _D value	[years] 150
Weight	[g] 160
Electrical	
Duty ratio	[%] 100
Supply voltage	[VDC] 18...30, ripple < 5 % eff., surge free
Current consumption max.	[mA] 100
Pre-fusing	[mA] 500 medium lag
Command signal options	[V] +10...0...-10, ripple <0.01 % eff., surge free, Ri = 100 kOhm [mA] +20...0...-20, ripple <0.01 % eff., surge free, Ri = <250 Ohm [mA] 4...12...20, ripple <0.01 % eff., surge free, Ri = <250 Ohm <3.6 mA = output signal 0 V / 0 mA / 12 mA acc. to output option >3.8 mA = output signal on (acc. NAMUR NE43)
Input signal resolution	[%] 0.025
Differential input max.	[V] 30 for terminals 5 und 6 against PE (terminal 8)
Command channel signal	[V] 0...1.0: Off / 5...30: On / Ri = 100 kOhm
Status signal	[V] 0...0.5: Off / Us: On / rated max. 15 mA
Output signal options	[V] +10...0...-10, rated max. 15 mA [mA] +20...0...-20, Ro < 500 Ohm [mA] 4...12...20, Ro < 500 Ohm
Output signal resolution	[%] 0.025
Reference output	[V] +10 / -10, 2 %, rated max. 15 mA
Adjustment ranges	Min [%] 0...50 Max [%] 50...100 Cmd channels [%] +100...-100 Ramp [s] 0...32.5 Zero offset [%] +100...-100
Interface	RS 232C, DSub 9p. male for null modem cable
EMC	EN 50081-2, EN 50082-2
Connection	Screw terminals 0.2...2.5 mm ² , disconnectable
Cable specification	[mm ²] 0.5 overall braid shield (AWG20)
Cable length	[m] 50
Options	
Technology function	Code1 Software adjustable transfer function with 10 compensation points for linearization of valve behaviour

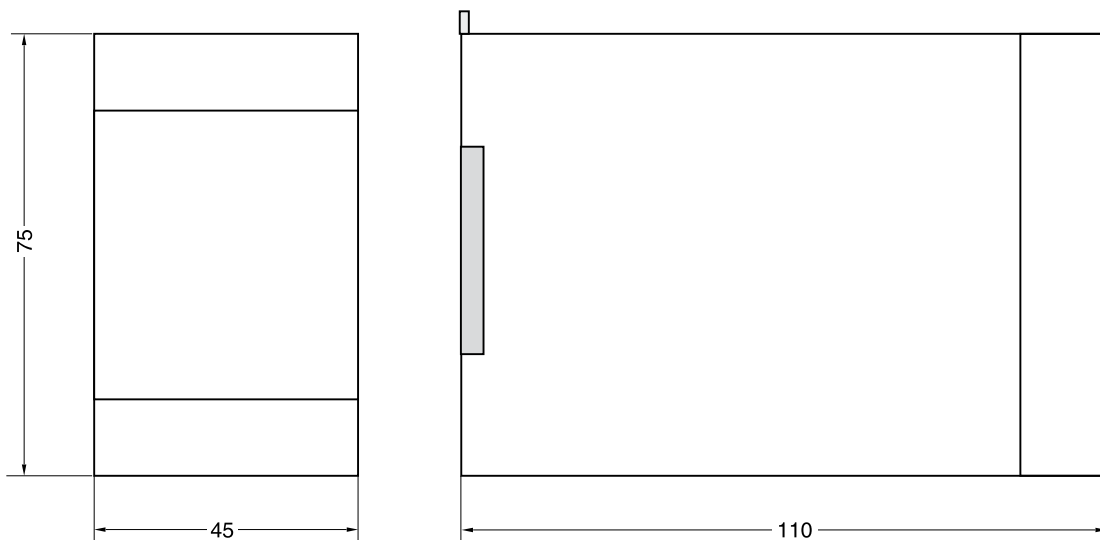
Block diagram



Signal flow diagram



Dimensions



11

ProPxD interface program

The ProPxD software permits comfortable parameter setting for the module electronics. Via the clearly arranged entry mask the parameters can be monitored and modified. Storage of complete parameter sets is possible as well as printout or record as a text file for further documentation. Stored parameter sets may be loaded anytime and transmitted to other valves. Inside the electronics a nonvolatile memory stores the data with the option for recalling or modification.

The PC software can be downloaded free of charge at www.parker.com/euro_hcd – see page "Support" or directly at www.parker.com/propxd.

Features

- Comfortable editing of all parameters
- Depiction and documentation of parameter sets
- Storage and loading of optimized parameter adjustments
- Executable with all actual Windows® operating systems from Windows® XP upwards
- Plain communication between PC and electronics via serial interface RS232C

