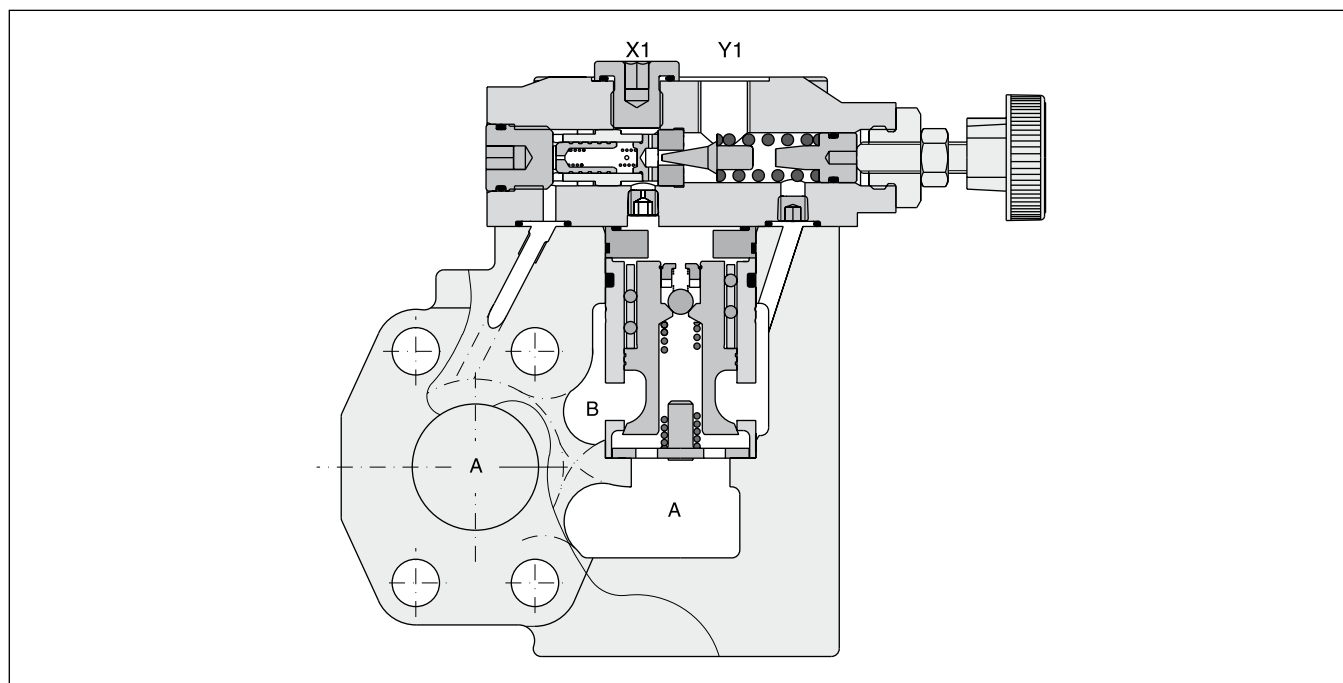
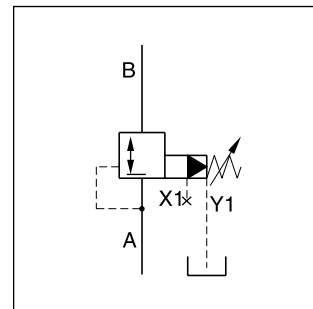


Characteristics

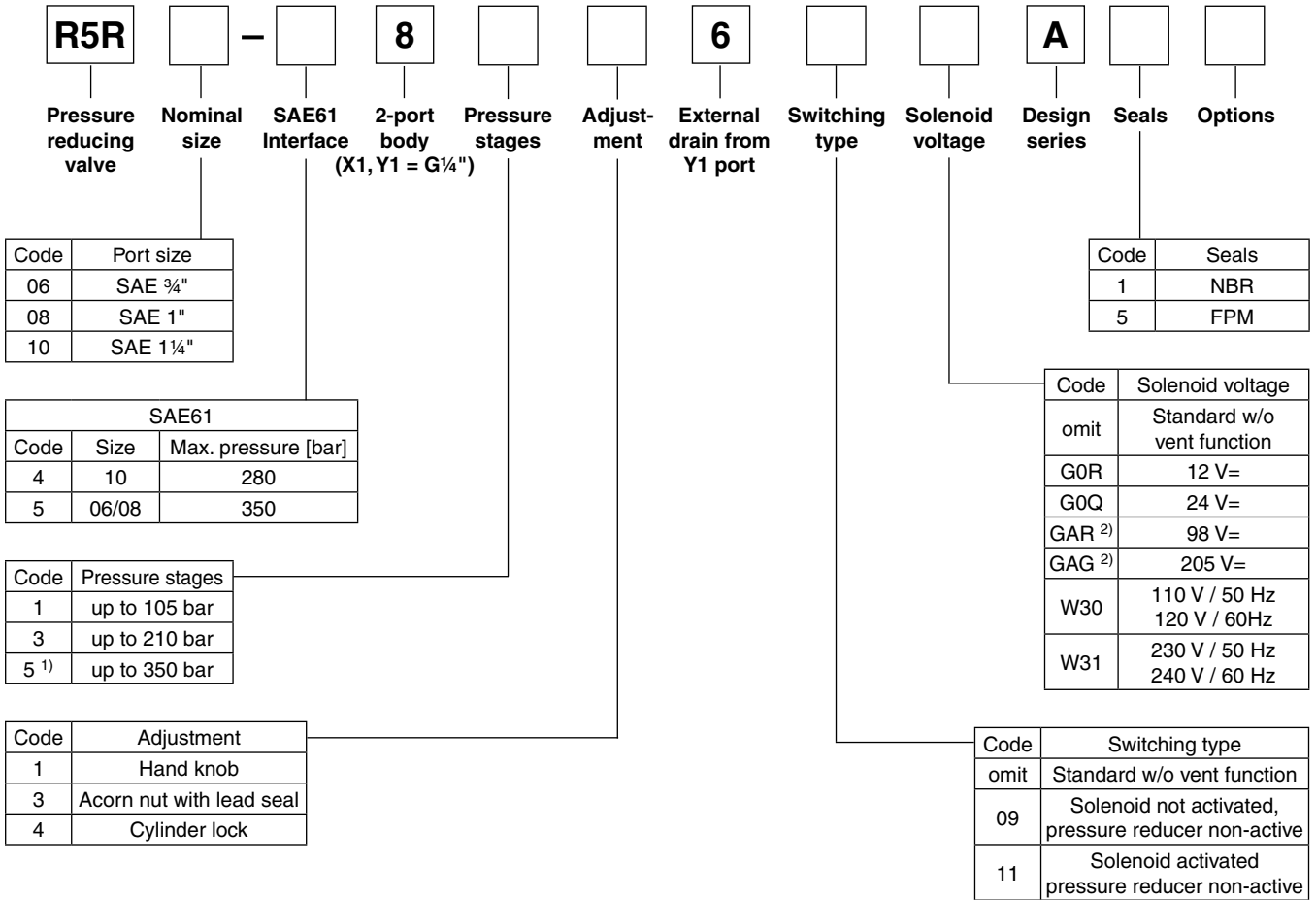
Pilot operated pressure reducing valves series R5R have a similar design as the subplate mounted R4R series. The SAE flanges allow to mount the valves directly on the inlet flanges of actuators to achieve a very compact design.

Features

- Pilot operated with manual adjustment
- Normally closed to avoid unintended motion
- 2-port body with SAE61 flange
- 3 sizes (SAE 3/4", 1", 1 1/4")
- 3 pressure stages
- 3 adjustment modes
 - Hand knob
 - Acorn nut with lead seal
 - Cylinder lock
- With optional vent function
- Flow direction B → A



Ordering Code



Further options on request

9

¹⁾ R5R10-485 up to 280 bar.

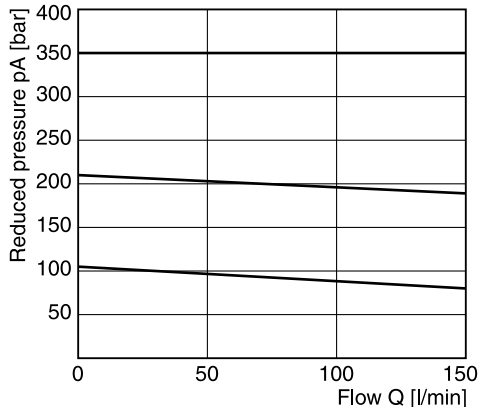
²⁾ To be used in combination with rectifier plugs at 120 VAC / 230 VAC power supply.

Technical Data

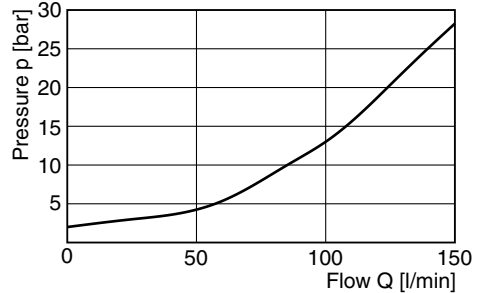
General								
Size			06 (¾")		08 (1")		10 (1¼")	
Mounting	Flanged according to SAE61							
Mounting position	unrestricted							
Ambient temperature	[°C]		-20...+60					
MTTF _D value	[years]		75					
Weight	[kg]		4.0		4.6		5.9	
Hydraulic								
Max. operating pressure	[bar]							
	Ports A, B, X1		350		350		280	
	Port Y1		30		30		30	
Flow direction	B → A							
Pressure stages	[bar]		105, 210, 350					
Nominal flow	[l/min]		90		300		500	
Fluid	Hydraulic oil according to DIN 51524							
Fluid temperature	[°C]		-20...+70 (NBR: -25...+70)					
Viscosity	permitted		[cSt] / [mm²/s]		20...400			
	recommended		[cSt] / [mm²/s]		30...80			
Filtration	ISO 4406 (1999); 18/16/13							
Electrical								
Duty ratio	100% ED; CAUTION: coil temperature up to 150 °C possible							
Protection class	IP65 in accordance with EN 60529 (with correctly mounted plug-in connector)							
	Code		G0R		G0Q		GAR	
			GAG		W30		W31	
Supply voltage	[V]		12 V =		24 V =		98 V =	
	[V]		205 V =		110 at 50 Hz		230 at 50 Hz	
					120 at 60 Hz		240 at 60 Hz	
Tolerance supply voltage	[%]		±10		±10		±10	
Current consumption	hold		[W]		2.72		1.29	
	in rush		[W]		2.72		1.29	
Power consumption	hold		[ms]		32.7		31	
	in rush		[ms]		32.7		31	
Solenoid connection	Connector as per EN175301-803, solenoid identification as per ISO 9461							
Wiring min.	[mm²]		3 x 1.5 recommended					
Wiring length max.	[m]		50 recommended					

Reduced pressure pA versus flow Q

R5R06 ¹⁾

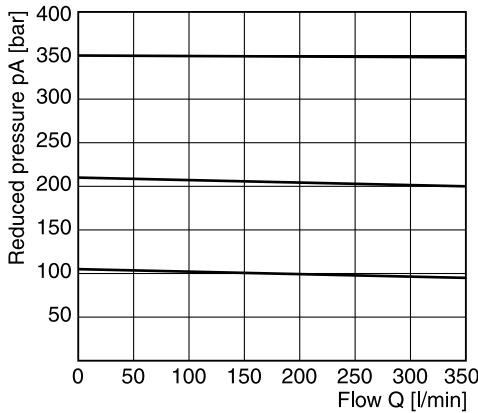


Minimum pressure curve

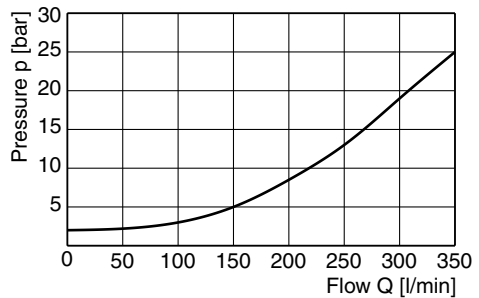


Reduced pressure pA versus flow Q

R5R08 ¹⁾



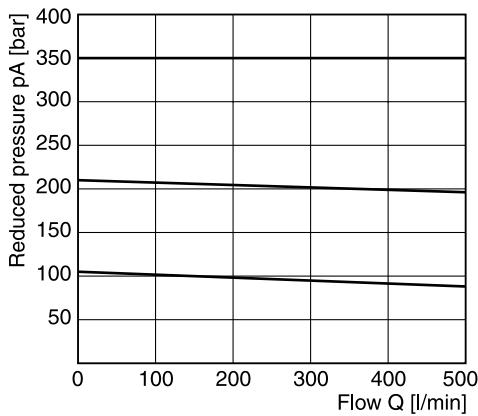
Minimum pressure curve



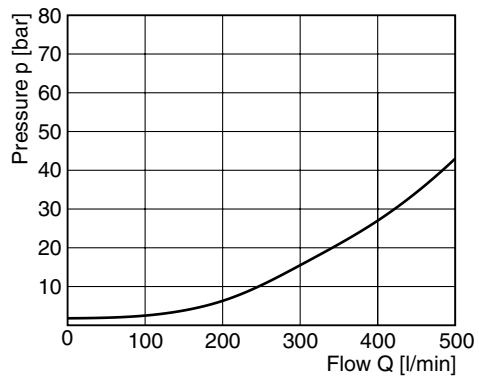
9

Reduced pressure pA versus flow Q

R5R10 ¹⁾



Minimum pressure curve

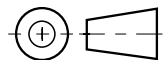
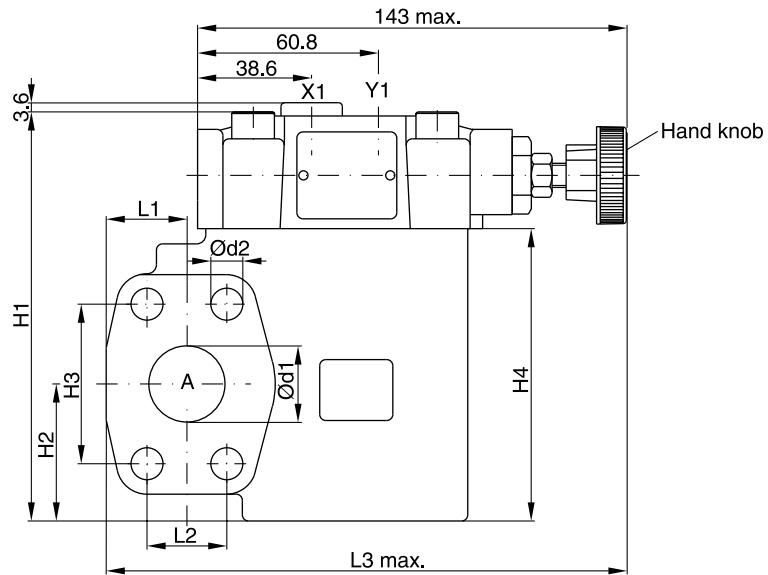
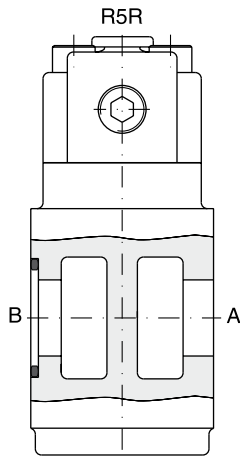
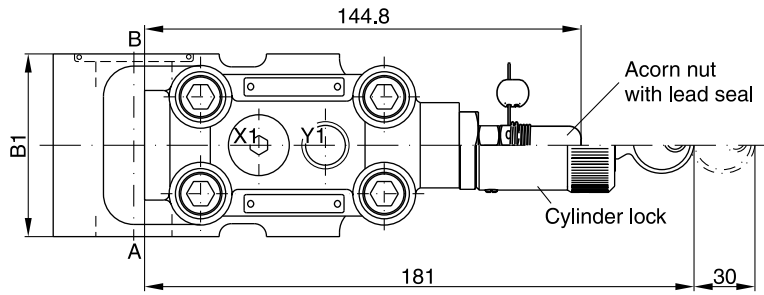


All characteristic curves measured with HLP46 at 50 °C.

¹⁾ Measured at 350 bar primary pressure pB.

Dimensions

R5R



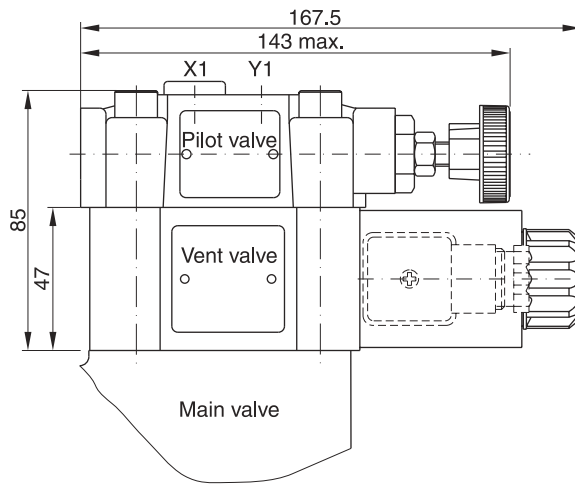
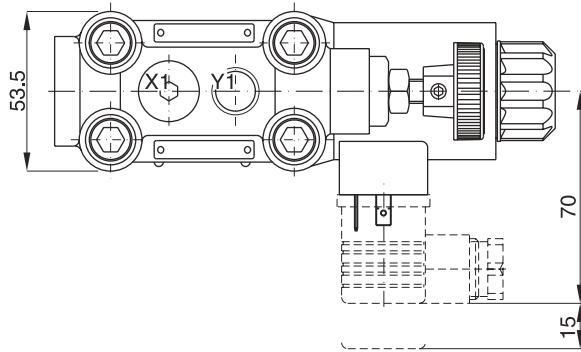
9

Seal kits		
NG	NBR	FPM
06	S16-91850-0	S16-91850-5
08	S16-91851-0	S16-91851-5
10	S16-91852-0	S16-91852-5

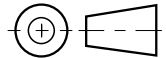
NG	B1	H1	H2	H3	H4	L1	L2	L3	d1	d2
06	60	131.6	37	47.6	90	24.6	22.2	152	19	10.5
08	60	137.6	45	52.4	96	26.5	26.2	171	25	10.5
10	75	150.6	48	58.7	109	34.0	30.2	179	32	12.5

Port	Function	Port size		
		R5R06	R5R08	R5R10
B	Inlet pressure	¾" SAE61	1" SAE61	1¼" SAE61
A	Reduced outlet pressure	¾" SAE61	1" SAE61	1¼" SAE61
Y1	External drain	G¼"	G¼"	G¼"
X1	Pressure gauge	G¼"	G¼"	G¼"

R5R with vent function



Seal kits	
NBR	FPM
DC solenoid	
S56-40609-0	S56-40609-5
AC solenoid	
S26-35237-0	S26-35237-5



9

Code	External drain
11	
09	