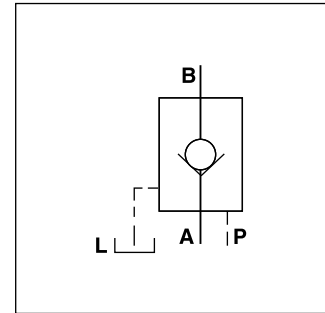


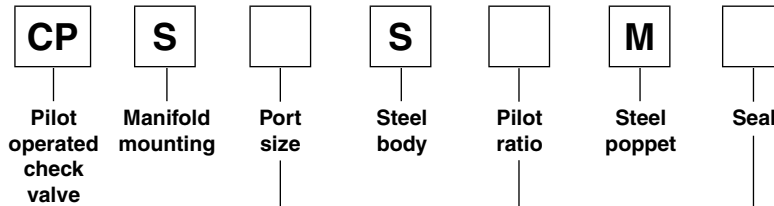
**Characteristics / Ordering Code**

Pilot operated check valves of the series CPS allow free flow in one direction (A to B). The counter-flow direction (B to A) is blocked.

By applying pilot pressure, the poppet can be lifted from its seat against the pressure in port B. Thus flow in the counter-direction is also possible. There are 1 and 2 stage poppets available with pilot ratios of 5 : 1 and 40 : 1, to suit different operating conditions. The CPS needs to be externally drained via port L.



**Ordering code**



Code	Port size
<b>600</b>	<b>600 (3/8")</b>
<b>1200</b>	<b>1200 (3/4")</b>

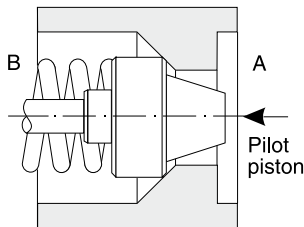
Code	Seal
<b>omit</b>	<b>NBR</b>
V	FPM

Code	Ratio	Stage
<b>5</b>	<b>5:1</b>	<b>1</b>
40	40:1	2

**Bold letters = Short-term availability**

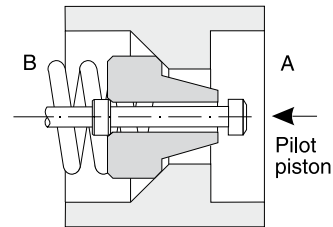
**Pilot ratios**

**Poppet 1 stage**



Surface ratio 5 : 1 (pilot spool: poppet surface) for quick response time without decompression.

**Poppet 2 stage**

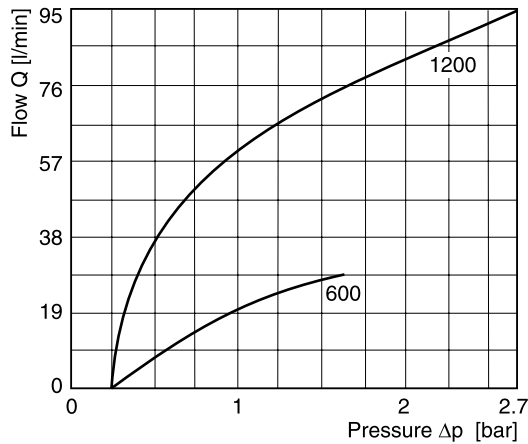


Surface ratio 40 : 1 (pilot spool: decompression pin surface) for low shock or oscillation performance from decompression.

**Technical data**

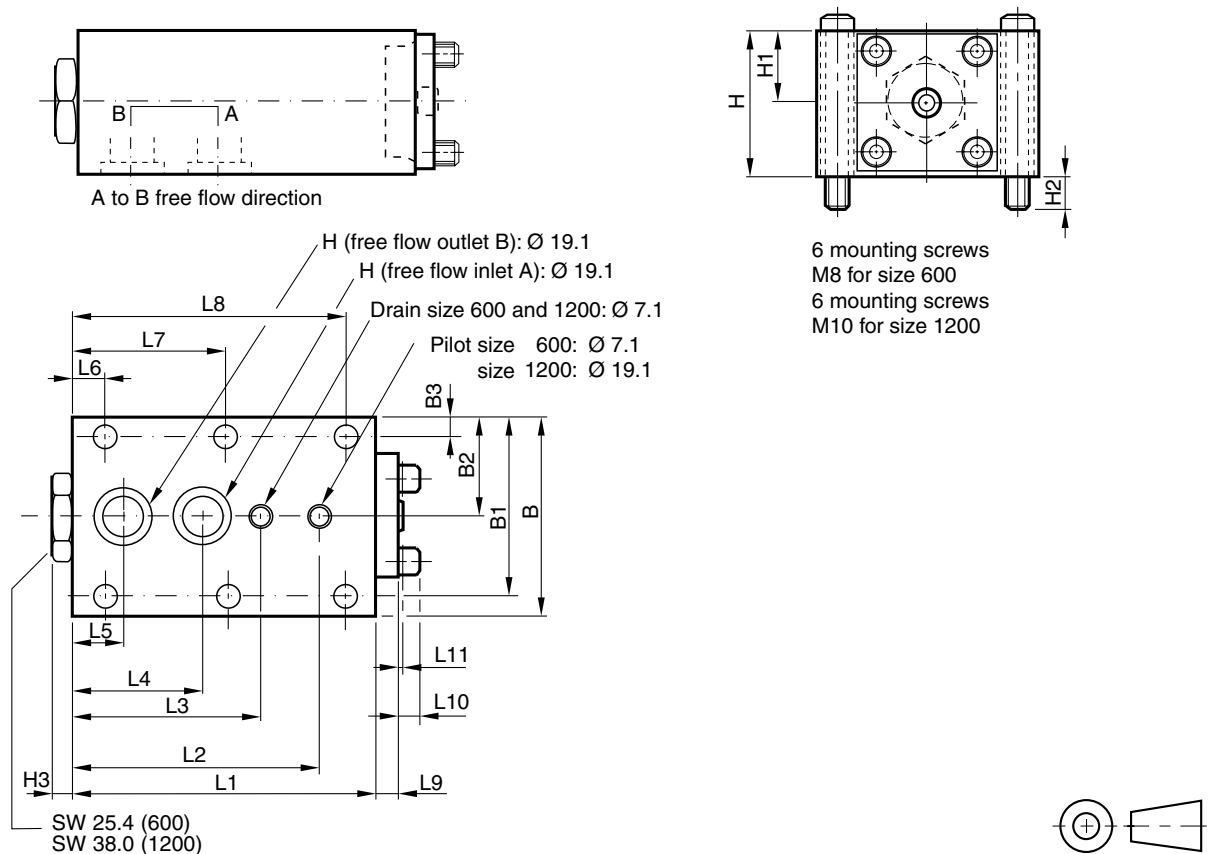
General		
Size		600                      1200
Max. operating pressure	[bar]	210                      210
Max. pilot pressure	[bar]	210                      70
Flow Q <sub>max</sub> at Δp 2.7 bar	[l/min]	30                      95
Weight	[kg]	4                      7
Ambient temperature	[°C]	-20...+60
Hydraulic		
Fluid	Hydraulic oil according to DIN 51524	
Fluid temperature	[°C]	-20...+70 (NBR: -25...+70)
Viscosity, permitted	[cSt] / [mm <sup>2</sup> /s]	20...400
recommended	[cSt] / [mm <sup>2</sup> /s]	30...80
Filtration	ISO 4406 (1999); 18/16/13	

**Δp/Q performance curves**



All characteristic curves measured with HLP46 at 50 °C.

**Dimensions**



**6**

Size	L3	L2	L1	L9	L11	H	H1	H2	H3	L10	L8	L7	L6	B3	B2	B1	B	ØH	L5	L4
CPS600S	76.2	101.6	120.7	10.7	1.0	50.8	25.4	12.7	7.9	-	108.0	60.2	12.7	8.6	38.1	67.3	76.2	11.2	21.3	53.3
CPS1200S	93.7	127.0	152.4	11.4	1.0	63.5	31.8	12.7	10.2	7.9	136.4	76.2	15.7	10.2	50.8	91.2	101.6	19.1	25.4	63.5