

# Series RDH Heavy Duty Hydraulic Roundline Cylinder

Innovative Solutions from  
Parker Industrial Cylinder Division



## New Series RDH Cylinder Extends Equipment Life and Lowers Engineering Costs

The Series RDH is a heavy-duty, industrial-grade repairable welded cylinder that is truly aligned to industrial market demands. We combined robust design, advanced sealing technology and proven exterior toughness into a cost-effective, catalog-standard platform product with short lead times appropriate for industrial customers.

Contact Parker for pricing and availability of the new Series RDH Heavy Duty Hydraulic Roundline Cylinder.



## Contact Information:

Parker Hannifin Corporation  
**Industrial Cylinder Division**  
500 S. Wolf Rd.  
Des Plaines, IL 60016

phone 847 298 2400  
fax 800 892 1008  
cylprodinfo@parker.com

[www.parker.com/cylinder](http://www.parker.com/cylinder)



## Product Features:

- Heavy duty service
- Threaded head, welded cap (repairable)
- 3,000 psi hydraulic service
- 1½" to 8" bore diameters
- 5/8" to 5½" rod diameters
- Standard strokes to 120"
- 9 standard mounts
- Many standard cylinder accessories
- Standard temperature -10°F to +165°F
- All popular seal compounds
- Parker WearGard™ bearings for rod and piston
- Many model code options and common modifications
- Manufactured in the USA

ENGINEERING YOUR SUCCESS.

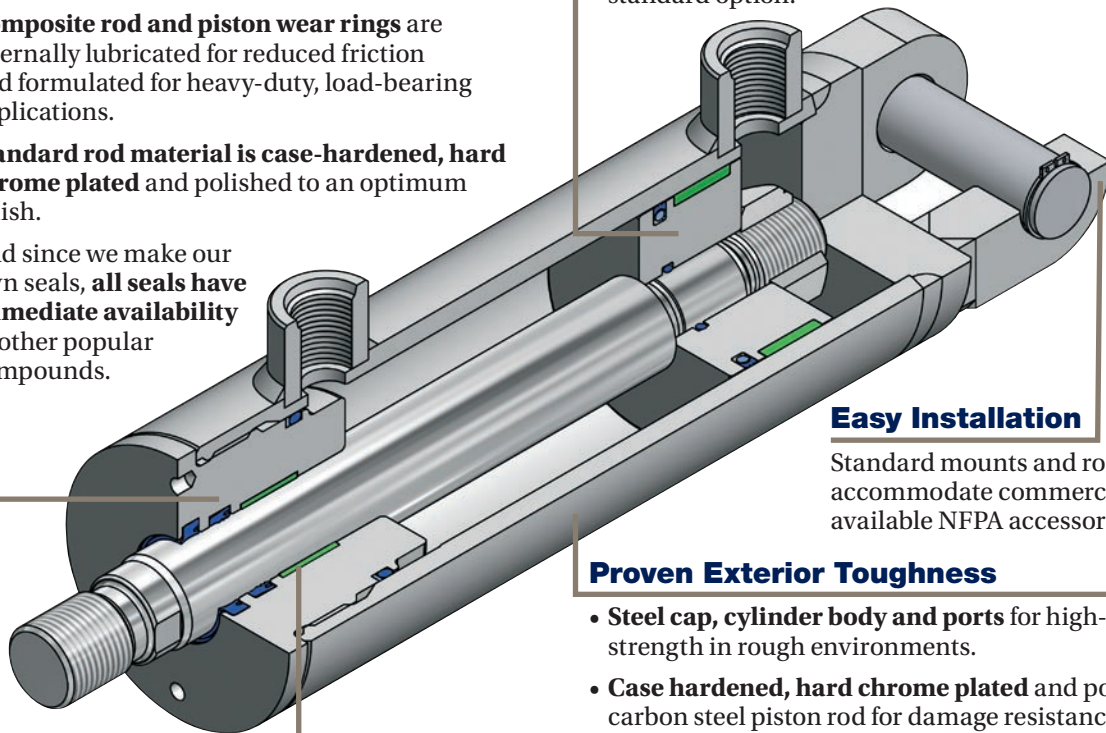
# Series RDH Heavy Duty Hydraulic Roundline Cylinders

## Advanced Sealing Technology

- **Tri-lip rod seal** with 3 sealing edges and bi-directional piston seal feature proven leak-free performance.
- **Durable polyurethane** material is used to maximize seal life.
- **Nitrile end seals** and backup rings on a smooth bore of the cylinder body for optimal sealing and elimination of extrusion problems.
- **Composite rod and piston wear rings** are internally lubricated for reduced friction and formulated for heavy-duty, load-bearing applications.
- **Standard rod material is case-hardened, hard chrome plated** and polished to an optimum finish.
- And since we make our own seals, **all seals have immediate availability** in other popular compounds.

## Switch-Ready

- **The Parker ALS Switch is the lowest cost point feedback solution** for carbon steel cylinders.
- **Switches can be located anywhere along the stroke** and in any orientation.
- **Unique round body brackets** minimize installation time.
- **Switch-Ready (with magnetic ring)** available as a standard option.



## Easy Installation

Standard mounts and rod ends accommodate commercially-available NFPA accessories.

## Composite Wear Rings

**Parker WearGard™** bearing materials are backed by over 30 years of manufacturing expertise.

- Heat stabilized and internally lubricated for **low friction and maximum service life** in any application.
- Strength characteristics meet or exceed most metals traditionally used in wear rings.

## Proven Exterior Toughness

- **Steel cap, cylinder body and ports** for high-strength in rough environments.
- **Case hardened, hard chrome plated** and polished carbon steel piston rod for damage resistance, long rod seal life and low friction.
- **Outboard urethane rod wiper seal** to remove external debris and adherents from the piston rod.
- **High quality paint coating** for interior or exterior applications.



← **Smart phone scan here**

Scan this QR code with your smart phone to download the complete RDH catalog. Look for QR code readers at an "App Store" for your mobile device.