



MD04 and MD06 Bankable Directional Control Valves

Service Parts

Bulletin HY14-2731-M1/US

aerospace
climate control
electromechanical
filtration
fluid & gas handling
hydraulics
pneumatics
process control
sealing & shielding



ENGINEERING YOUR SUCCESS.

MD04 PDNA

Parts Explosion Drawing 1

Parts List 1

Spool Chart 1

Coils and Tubes 1

MD04 PDNB

Parts Explosion Drawing 2

Parts List 2

Spool Chart 2

Coils and Tubes 2

MD04 PDNC

Parts Explosion Drawing 3

Parts List 3

Spool Chart 3

Coils and Tubes 3

MD04 PDNH

Parts Explosion Drawing 4

Parts List 4

Spool Chart 4

Coils and Tubes 4

MD04 SDNC

Parts Explosion Drawing 5

Parts List 5

Spool Chart 5

Coils and Tubes 5



WARNING – USER RESPONSIBILITY

FAILURE OR IMPROPER SELECTION OR IMPROPER USE OF THE PRODUCTS DESCRIBED HEREIN OR RELATED ITEMS CAN CAUSE DEATH, PERSONAL INJURY AND PROPERTY DAMAGE.

- This document and other information from Parker-Hannifin Corporation, its subsidiaries and authorized distributors provide product or system options for further investigation by users having technical expertise.
- The user, through its own analysis and testing, is solely responsible for making the final selection of the system and components and assuring that all performance, endurance, maintenance, safety and warning requirements of the application are met. The user must analyze all aspects of the application, follow applicable industry standards, and follow the information concerning the product in the current product catalog and in any other materials provided from Parker or its subsidiaries or authorized distributors.
- To the extent that Parker or its subsidiaries or authorized distributors provide component or system options based upon data or specifications provided by the user, the user is responsible for determining that such data and specifications are suitable and sufficient for all applications and reasonably foreseeable uses of the components or systems.

OFFER OF SALE

The items described in this document are hereby offered for sale by Parker-Hannifin Corporation, its subsidiaries or its authorized distributors. This offer and its acceptance are governed by the provisions stated in the detailed "Offer of Sale" elsewhere in this document or available at www.parker.com/hydraulicvalve.

SAFETY GUIDE

For safety information, see Safety Guide SG HY14-1000 at www.parker.com/safety or call 1-800-CParker.

© Copyright 2008, Parker Hannifin Corporation, All Rights Reserved



Contents

MD06 PDNA

Parts Explosion Drawing6

Parts List6

Coils and Tubes6

MD06 PDNB

Parts Explosion Drawing7

Parts List7

Coils and Tubes7

MD06 PDNC

Parts Explosion Drawing8

Parts List8

Spool Chart8

Coils and Tubes8

MD06 PDNH

Parts Explosion Drawing9

Parts List9

Spool Chart9

Coils and Tubes9

MD06 SDNC

Parts Explosion Drawing10

Parts List10

Spool Chart10

Coils and Tubes10

MD06 SDNH

Parts Explosion Drawing11

Parts List11

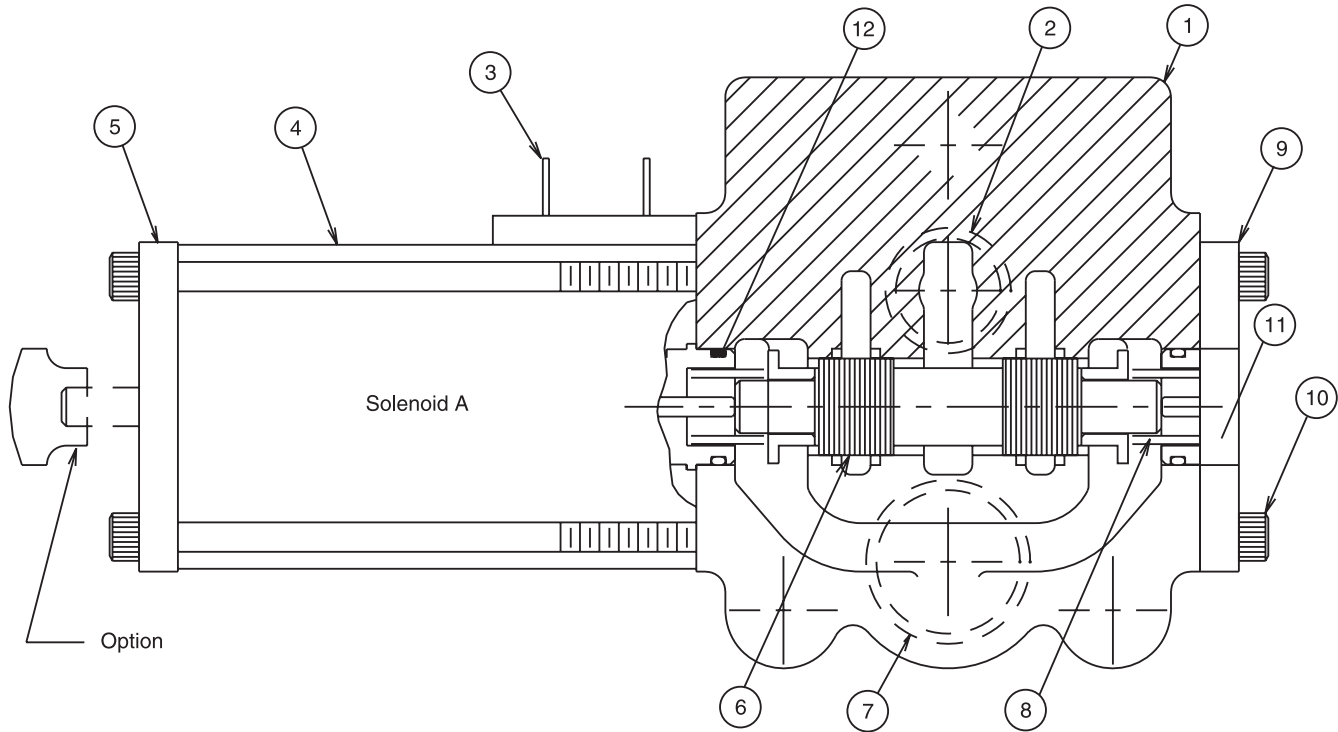
Spool Chart11

Coils and Tubes11

MD04 and MD06 Tie Rod Kits12

Offer of SaleII

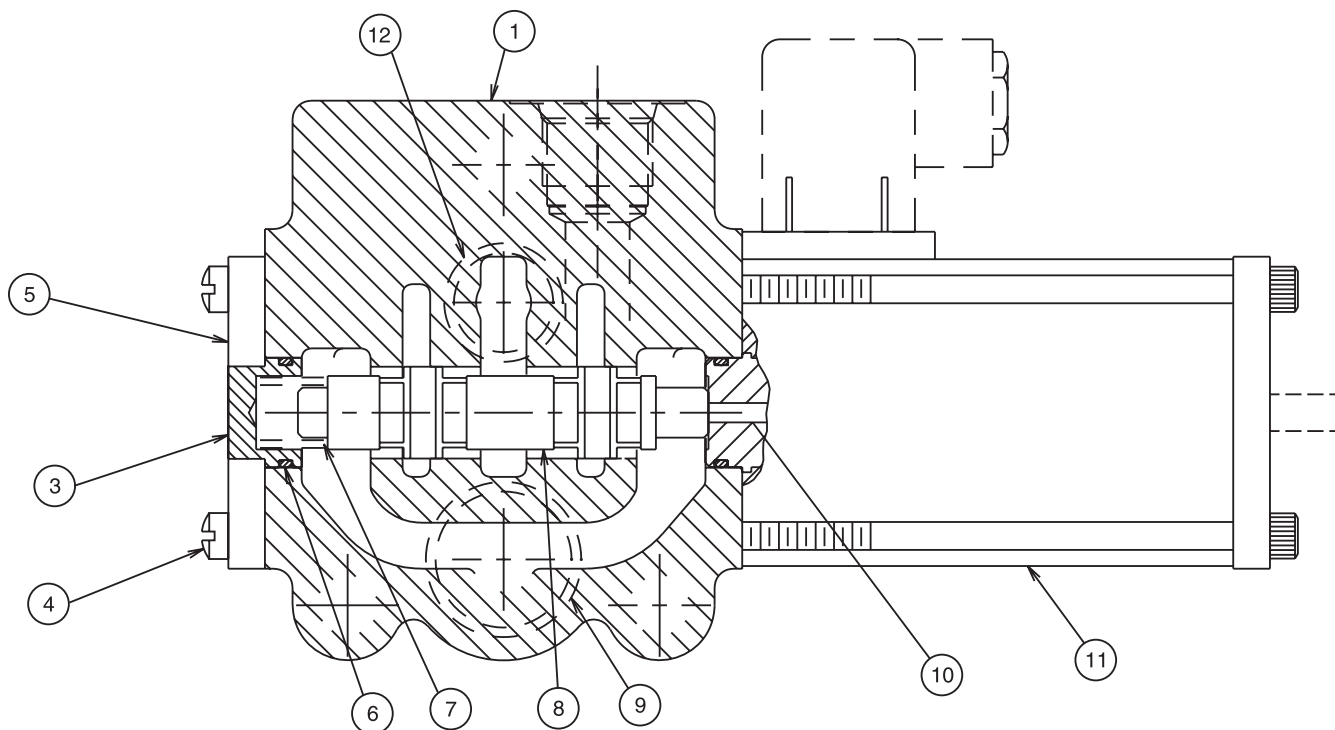
Safety GuideII



Parts			
Item	Quantity	Part Number	Description
1	1	-	Non-Serviceable Body
2	1	407342	Seal
3	1	See Chart	Solenoid Coil
4	1	See Chart	Solenoid Tube Assembly
6	1	See Chart	Spool
7	1	407347	Seal
8	1	493829	Spring
9	1	355415	End Plate
10	4	10X211	SH Cap Screw
11	1	355414	Plug
12	1	2016N-9	Seal - Tube

Spool Chart		
Part Number	Type	Description
355866	A	Closed Center
355713	M	Two Position, Four Way
355868	J	Motor Spool

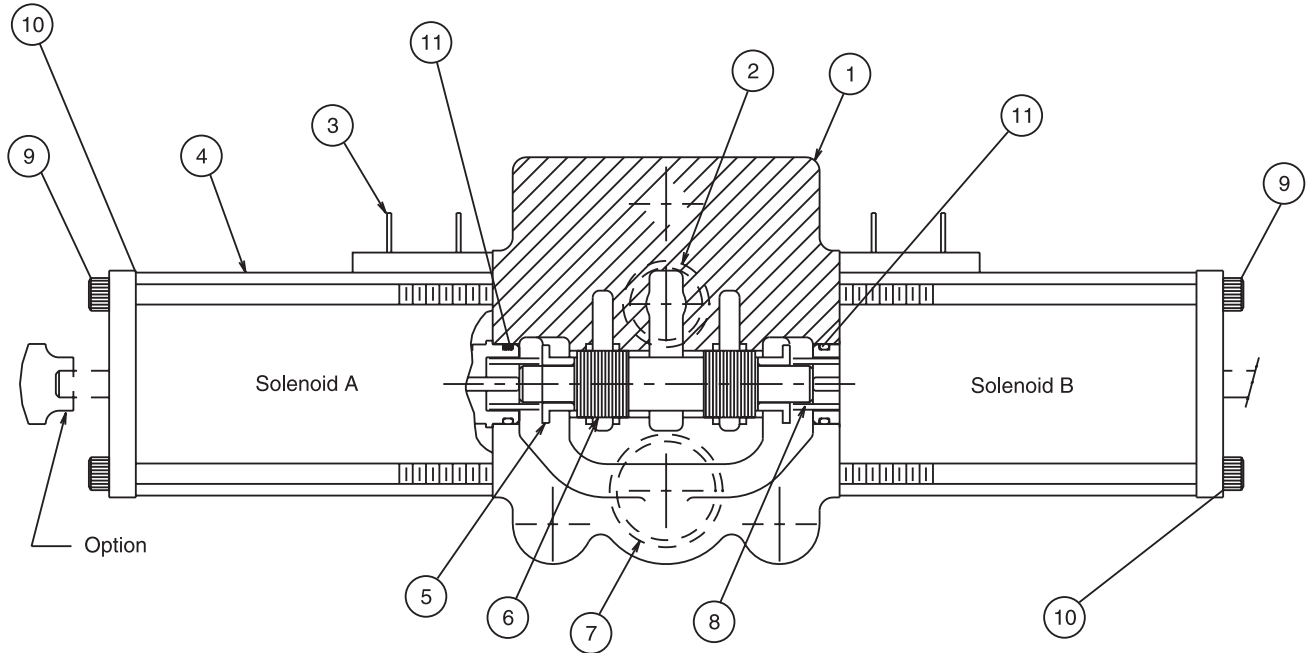
Solenoid Coil/Tube Assembly			
Code	Coil Part Number	Tube Part Number	Description
-12B	493482	708121	12 VDC Dual Spade/Flush Manual Override
-12C	493482	708121	12 VDC Dual Spade/Flush Manual Override with Ground Wire
-12D	494205	708121	12 VDC Dual Wire/Flush Manual Override
-12F	494098	708121	12 VDC DIN/Flush Manual Override
-12J	493482	707557	12 VDC Dual Spade/ Extended Manual Override
-12K	493482	707557	12 VDC Dual Spade/Extended Manual Override with Ground Wire
-12L	494204	707557	12 VDC Dual Wire/Extended Manual Override
-12N	494098	707557	12 VDC DIN/Extended Manual Override
-12R	493482	708222	12 VDC Dual Spade/Palm Button Override
-24B	493596	708061	24 VDC Dual Spade/Flush Manual Override
-24C	493596	708061	24 VDC Dual Spade/Flush Manual Override with Ground Wire
-24F	494145	708061	24 VDC DIN/Flush Manual Override
-24J	493596	707559	24 VDC Dual Spade/Extended Manual Override
-24K	493596	707559	24 VDC Dual Spade/Extended Manual Override with Ground Wire
-24N	494305	708222	24 VDC DIN/Extended Manual Override with Palm Button
-24R	493596	708222	24 VDC Dual Spade/Extended Manual Override with Palm Button
-115A	204025	708101	115 VAC DIN/Flush Manual Override (Coil requires a Rectifier - 204033)



Parts			
Item	Quantity	Part Number	Description
1	1	-	Non-Serviceable Body
2	-	-	
3	1	355414	Plug
4	4	10x211	Socket Head Cap Screw
5	1	355415	End Plate
6	1	2016N-9	O-ring -Tube
7	1	493829	Spring
8	1	See Chart	Spool
9	1	407347	Seal
10	1	See Chart	Solenoid Tube Assembly
11	1	See Chart	Solenoid Coil
12	1	407342	Seal

Spool Chart		
Part Number	Type	Description
355866	A	Closed Center
355713	M	Two Position, Four Way
355868	J	Motor Spool

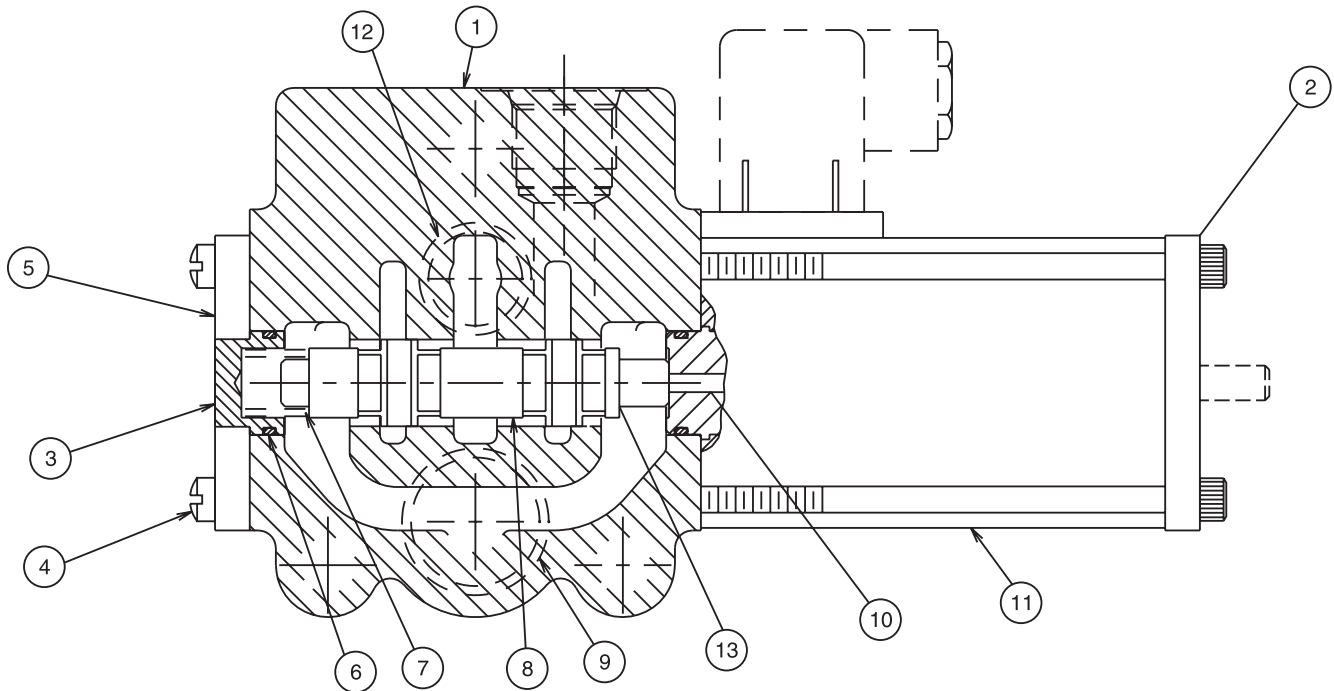
Solenoid Coil/Tube Assembly			
Code	Coil Part Number	Tube Part Number	Description
-12B	493482	708121	12 VDC Dual Spade/Flush Manual Override
-12C	493482	708121	12 VDC Dual Spade/Flush Manual Override with Ground Wire
-12D	494205	708121	12 VDC Dual Wire/Flush Manual Override
-12F	494098	708121	12 VDC DIN/Flush Manual Override
-12J	493482	707557	12 VDC Dual Spade/ Extended Manual Override
-12K	493482	707557	12 VDC Dual Spade/Extended Manual Override with Ground Wire
-12L	494204	707557	12 VDC Dual Wire/Extended Manual Override
-12N	494098	707557	12 VDC DIN/Extended Manual Override
-12R	493482	708222	12 VDC Dual Spade/Palm Button Override
-24B	493596	708061	24 VDC Dual Spade/Flush Manual Override
-24C	493596	708061	24 VDC Dual Spade/Flush Manual Override with Ground Wire
-24F	494145	708061	24 VDC DIN/Flush Manual Override
-24J	493596	707559	24 VDC Dual Spade/Extended Manual Override
-24K	493596	707559	24 VDC Dual Spade/Extended Manual Override with Ground Wire
-24N	494305	708222	24 VDC DIN/Extended Manual Override with Palm Button
-24R	493596	708222	24 VDC Dual Spade/Extended Manual Override with Palm Button
-115A	204025	708101	115 VAC DIN/Flush Manual Override (Coil requires a Rectifier - 204033)



Parts			
Item	Quantity	Part Number	Description
1	1	-	Non-Serviceable Body
2	2	See Chart	Solenoid Coil
3	2	See Chart	Solenoid Tube Assembly
4	2	493829	Spring
5	2	355841	Spring Seat
6	1	See Chart	Spool
7	1	407347	Seal
8	1	407342	Seal
9	4	493460	Socket Head Cap Screw
10	2	355292	End Plate
11	2	2016N-9	Seal - Tube

Spool Chart		
Part Number	Type	Description
355866	A	Closed Center
355713	M	Two Position, Four Way
355868	J	Motor Spool

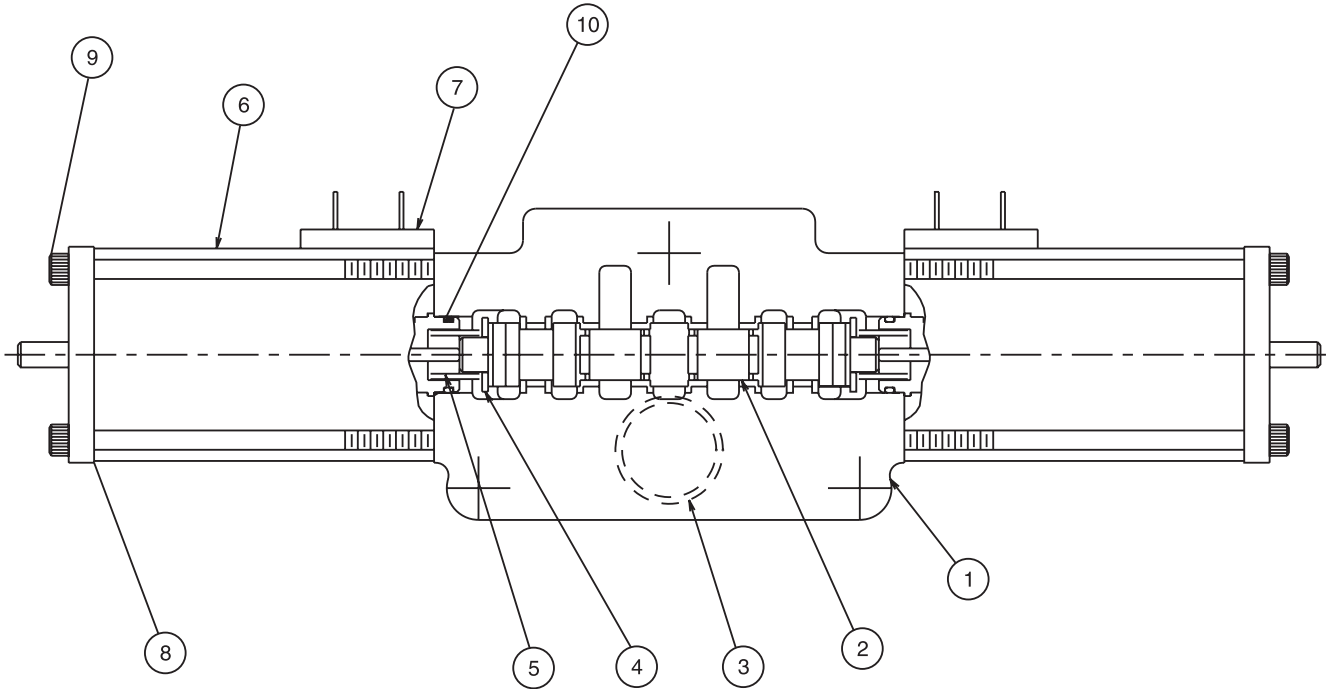
Solenoid Coil/Tube Assembly			
Code	Coil Part Number	Tube Part Number	Description
-12B	493482	708121	12 VDC Dual Spade/Flush Manual Override
-12C	493482	708121	12 VDC Dual Spade/Flush Manual Override with Ground Wire
-12D	494205	708121	12 VDC Dual Wire/Flush Manual Override
-12F	494098	708121	12 VDC DIN/Flush Manual Override
-12J	493482	707557	12 VDC Dual Spade/ Extended Manual Override
-12K	493482	707557	12 VDC Dual Spade/Extended Manual Override with Ground Wire
-12L	494204	707557	12 VDC Dual Wire/Extended Manual Override
-12N	494098	707557	12 VDC DIN/Extended Manual Override
-12R	493482	708222	12 VDC Dual Spade/Palm Button Override
-24B	493596	708061	24 VDC Dual Spade/Flush Manual Override
-24C	493596	708061	24 VDC Dual Spade/Flush Manual Override with Ground Wire
-24F	494145	708061	24 VDC DIN/Flush Manual Override
-24J	493596	707559	24 VDC Dual Spade/Extended Manual Override
-24K	493596	707559	24 VDC Dual Spade/Extended Manual Override with Ground Wire
-24N	494305	708222	24 VDC DIN/Extended Manual Override with with Palm Button
-24R	493596	708222	24 VDC Dual Spade/Extended Manual Override with with Palm Button
-115A	204025	708101	115 VAC DIN/Flush Manual Override (Coil requires a Rectifier - 204033)



Parts			
Item	Quantity	Part Number	Description
1	1	-	Non-Serviceable Body
2	1	355292	End Plate - Solenoid
3	1	355414	Plug
4	4	10X211	Socket Head Cap Screw
5	1	355415	End Plate
6	1	2016N-9	O-ring - Tube
7	2	493635	Spring
8	1	-	See Chart
9	1	407347	Seal
10	1	-	Solenoid Tube
11	1	-	Solenoid Coil
12	1	407342	Seal
13	2	355841	Spring Seat

Spool Chart		
Part Number	Type	Description
355866	A	Closed Center
355713	M	Two Position, Four Way
355868	J	Motor Spool

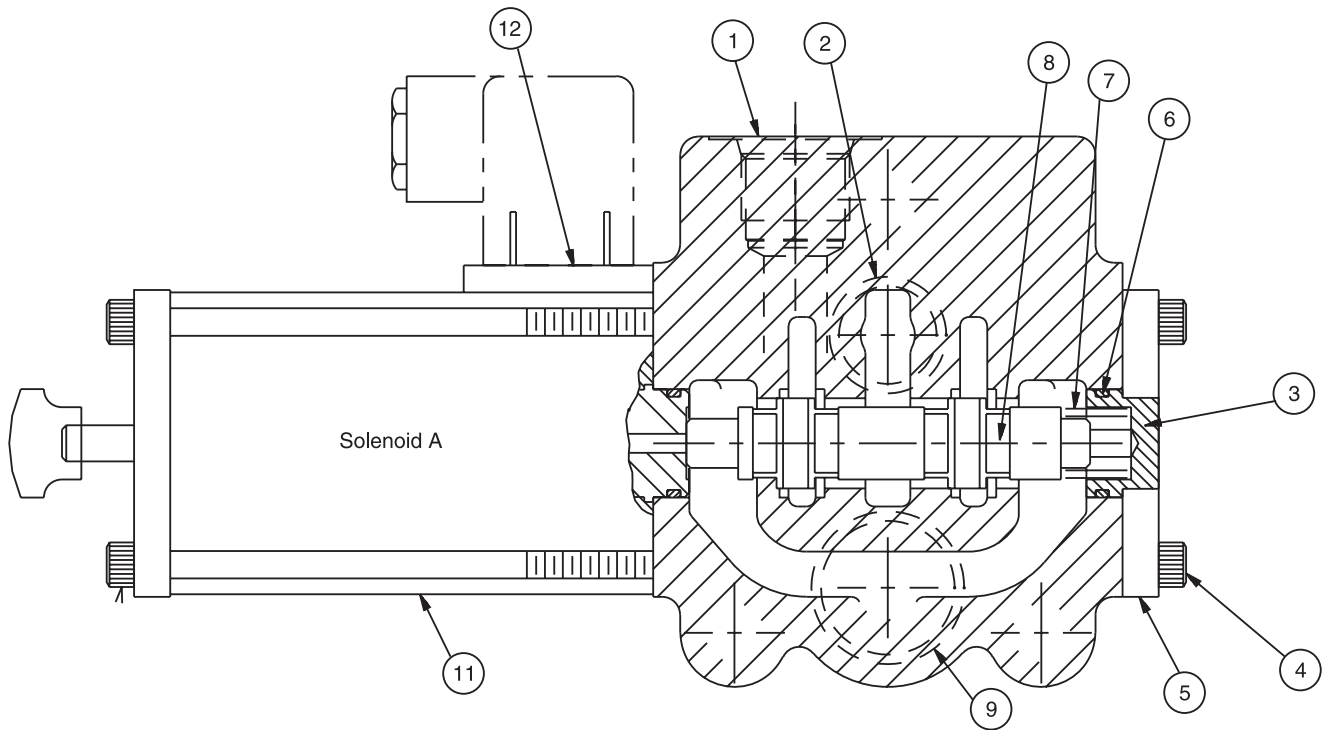
Solenoid Coil/Tube Assembly			
Code	Coil Part Number	Tube Part Number	Description
-12B	493482	708121	12 VDC Dual Spade/Flush Manual Override
-12C	493482	708121	12 VDC Dual Spade/Flush Manual Override with Ground Wire
-12D	494205	708121	12 VDC Dual Wire/Flush Manual Override
-12F	494098	708121	12 VDC DIN/Flush Manual Override
-12J	493482	707557	12 VDC Dual Spade/ Extended Manual Override
-12K	493482	707557	12 VDC Dual Spade/Extended Manual Override with Ground Wire
-12L	494204	707557	12 VDC Dual Wire/Extended Manual Override
-12N	494098	707557	12 VDC DIN/Extended Manual Override
-12R	493482	708222	12 VDC Dual Spade/Palm Button Override
-24B	493596	708061	24 VDC Dual Spade/Flush Manual Override
-24C	493596	708061	24 VDC Dual Spade/Flush Manual Override with Ground Wire
-24F	494145	708061	24 VDC DIN/Flush Manual Override
-24J	493596	707559	24 VDC Dual Spade/Extended Manual Override
-24K	493596	707559	24 VDC Dual Spade/Extended Manual Override with Ground Wire
-24N	494305	708222	24 VDC DIN/Extended Manual Override with Palm Button
-24R	493596	708222	24 VDC Dual Spade/Extended Manual Override with Palm Button
-115A	204025	708101	115 VAC DIN/Flush Manual Override (Coil requires a Rectifier - 204033)



Parts			
Item	Quantity	Part Number	Description
1	1	-	Non-Serviceable Body
2	1	See Chart	Spool
3	1	407347	O-Ring
4	2	493526	Washer
5	2	493483	Spring
6	2	See Chart	Solenoid Tube Assembly
7	2	See Chart	Solenoid Coil
8	2	355292	End Plate
9	8	493459	Cap Screw
10	2	2016N-9	Seal - Tube

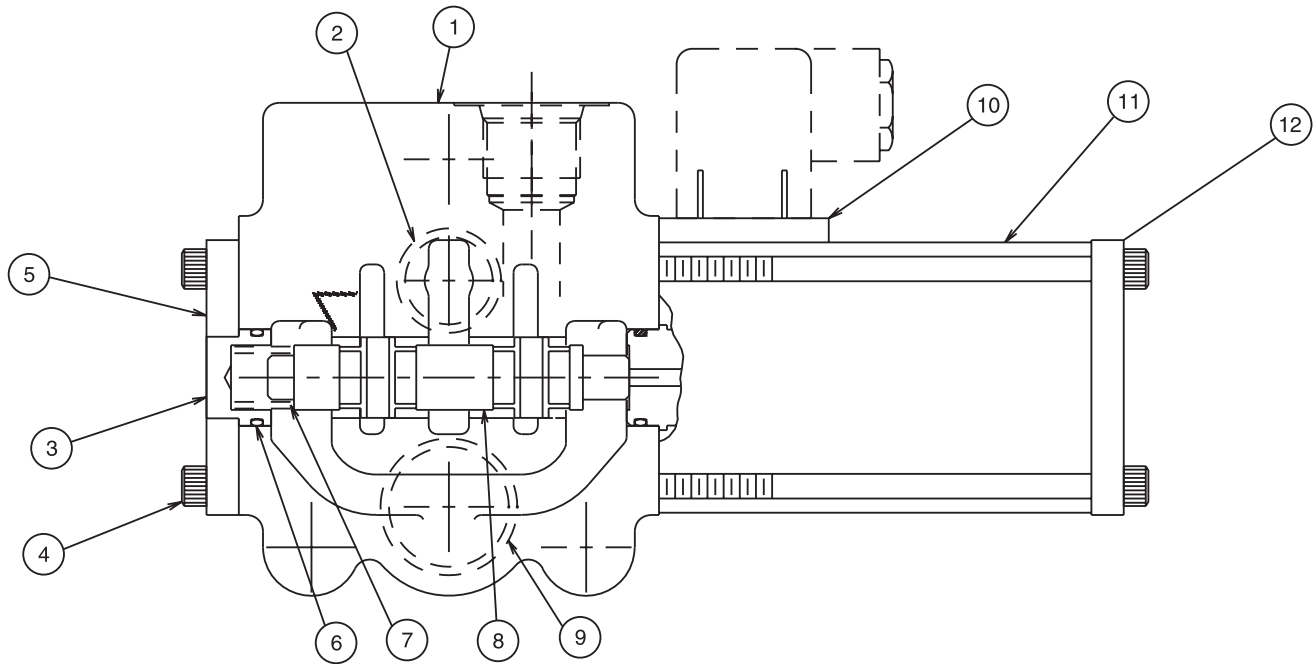
Spool Chart		
Part Number	Type	Description
355601	B	Open Center
355559	D	Tandem Center

Solenoid Coil/Tube Assembly			
Code	Coil Part Number	Tube Part Number	Description
-12B	493482	708061	12 VDC Dual Spade/Flush Manual Override
-12C	493482	708061	12 VDC Dual Spade/Flush Manual Override with Ground Wire
-12D	494205	708061	12 VDC Dual Wire/Flush Manual Override
-12F	494208	708061	12 VDC DIN/Flush Manual Override
-12J	493482	707557	12 VDC Dual Spade/ Extended Manual Override
-12K	493482	707557	12 VDC Dual Spade/Extended Manual Override with Ground Wire
-12L	494204	707557	12 VDC Dual Wire/Extended Manual Override
-12N	494208	707557	12 VDC DIN/Extended Manual Override
-12R	493482	708222	12 VDC Dual Spade/Palm Button Override
-24B	493596	708061	24 VDC Dual Spade/Flush Manual Override
-24C	493596	708061	12 VDC Dual Spade/Flush Manual Override with Ground Wire
-24F	494145	708061	24 VDC DIN/Flush Manual Override
-24J	493596	707559	24 VDC Dual Spade/Extended Manual Override
-24K	493596	707559	24 VDC Dual Spade/Extended Manual Override with Ground Wire
-24N	494305	708222	24 VDC DIN/Extended Manual Override with Palm Button
-24R	493596	708222	24 VDC Dual Spade/Extended Manual Override with Palm Button
-115A	204025	708101	115 VAC DIN/Flush Manual Override (Coil requires a Rectifier - 204033)



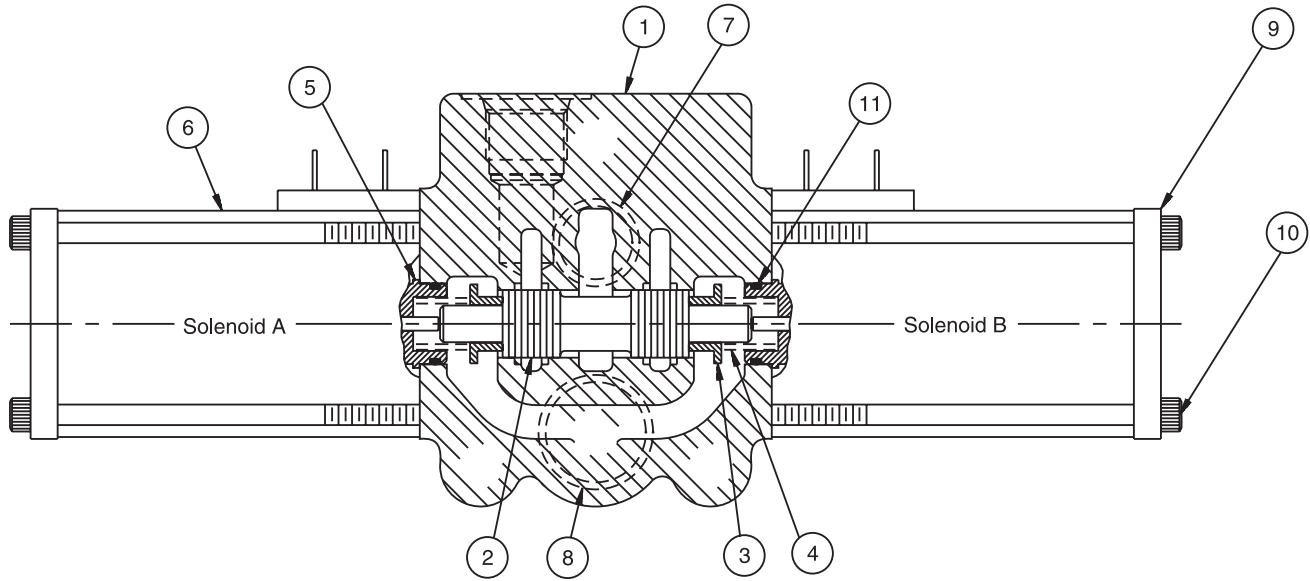
Parts			
Item	Quantity	Part Number	Description
1	1	-	Non-Serviceable Body
2	1	407342	Seal
3	1	355414	Plug
4	4	494327	Socket Head Cap Screw
5	1	355415	End Plate
6	1	2016N-9	Seal
7	1	493829	Spring
8	1	355713	Spool (Code M)
9	1	407347	Seal
10	1	355292	End Plate
11	1	See Chart	Solenoid Tube Assembly
12	1	See Chart	Solenoid Coil

Coil/Tube Assembly			
Code	Coil Part Number	Tube Part Number	Description
-12B	493419	708631	12 VDC Dual Spade/ Flush Manual Override
-12C	493419	708631	12 VDC Dual Spade/Flush Manual Override with Ground Wire
-12D	494297	708631	12 VDC Dual Wire/Flush Manual Override
-12F	494096	708631	12 VDC DIN/Flush Manual Override
-12J	493419	708630	12 VDC Dual Spade/Extended Manual Override
-12K	493419	708630	12 VDC Dual Spade/Extended Manual Override with Ground Wire
-12L	494297	708630	12 VDC Dual Wire/Extended Manual Override
-12N	494096	708630	12 VDC DIN/Extended Manual Override
-12R	493419	708641	12 VDC Dual Spade/Palm Button Override
-24B	493420	708631	24 VDC Dual Spade/Flush Manual Override
-24C	493420	708631	24 VDC Dual Spade/Flush Manual Override with Ground Wire
-24D	494307	708631	24 VDC Dual Wire/Flush Manual Override
-24F	494091	708631	24 VDC DIN/Flush Manual Override
-24J	493420	708630	24 VDC Dual Spade/Extended Manual Override
-24K	493420	708630	24 VDC Dual Spade/Extended Manual Override with Ground Wire
-24N	494091	707720	24 VDC DIN/Extended Manual Override with Palm Button
-115A	707097	708631	115 VAC DIN/Flush Manual Override (Coil Includes Rectifier)



Parts			
Item	Quantity	Part Number	Description
1	1	-	Non-Serviceable Body
2	1	407342	Seal
3	1	355414	Plug
4	4	494327	Socket Head Cap Screw
5	1	355415	End Plate
6	1	2016N-9	Seal
7	1	493829	Spring
8	1	355713	Spool (Code M)
9	1	407347	Seal
10	1	See Chart	Solenoid Tube Assembly
11	1	See Chart	Solenoid Coil
12	1	355292	End Plate

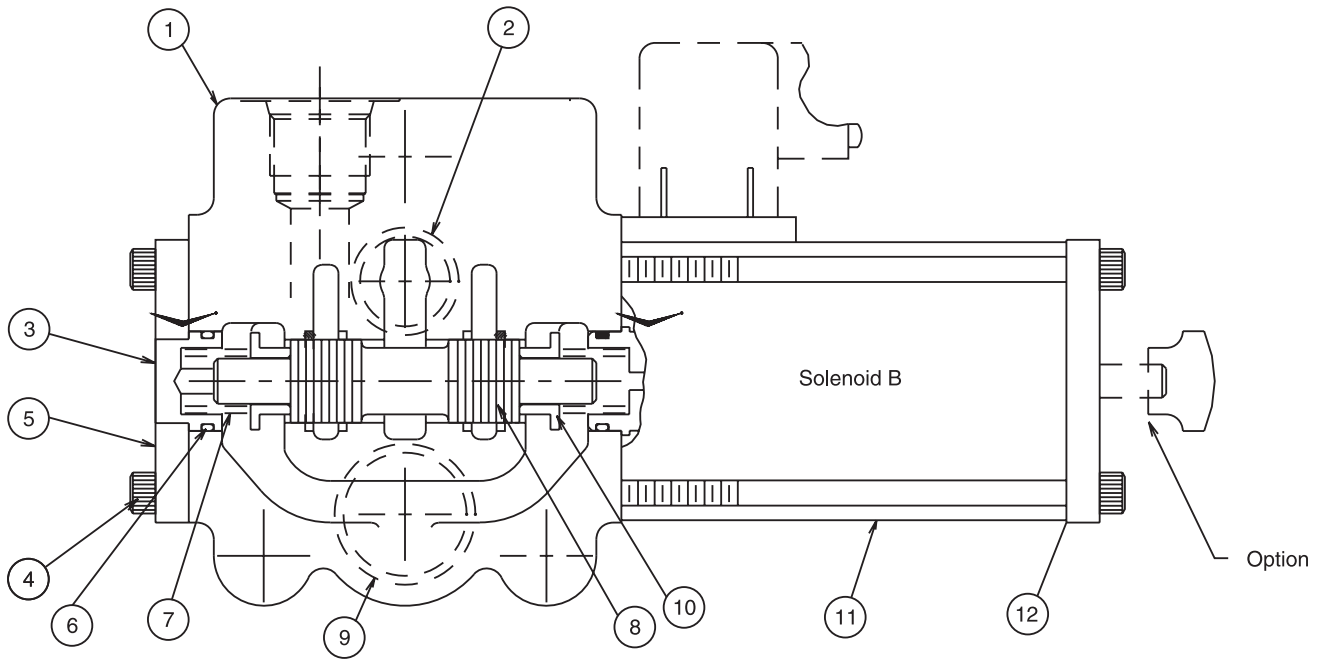
Coil/Tube Assembly			
Code	Coil Part Number	Tube Part Number	Description
-12B	493419	708631	12 VDC Dual Spade/Flush Manual Override
-12C	493419	708631	12 VDC Dual Spade/Flush Manual Override with Ground Wire
-12D	494297	708631	12 VDC Dual Wire/Flush Manual Override
-12F	494096	708631	12 VDC DIN/Flush Manual Override
-12J	493419	708630	12 VDC Dual Spade/Extended Manual Override
-12K	493419	708630	12 VDC Dual Spade/Extended Manual Override with Ground Wire
-12L	494297	708630	12 VDC Dual Wire/Extended Manual Override
-12N	494096	708630	12 VDC DIN/Extended Manual Override
-12R	493419	708641	12 VDC Dual Spade/Palm Button Override
-24B	493420	708631	24 VDC Dual Spade/Flush Manual Override
-24C	493420	708631	24 VDC Dual Spade/Flush Manual Override with Ground Wire
-24D	494307	708631	24 VDC Dual Wire/Flush Manual Override
-24F	494091	708631	24 VDC DIN/Flush Manual Override
-24J	493420	708630	24 VDC Dual Spade/Extended Manual Override
-24K	493420	708630	24 VDC Dual Spade/Extended Manual Override with Ground Wire
-24N	494091	707720	24 VDC DIN/Extended Manual Override with Palm Button
-115A	707097	708370	115 VAC DIN/Flush Manual Override (Coil Includes Rectifier)



Parts			
Item	Quantity	Part Number	Description
1	1	-	Non-Serviceable Body
2	1	See Chart	Spool
3	2	355841	Spring, Seat
4	2	493635	Spring
4	2	493483	Spring with W Spool (355897)
5	2	See Chart	Solenoid Tube Assembly
6	2	See Chart	Solenoid Coil
7	1	407342	O-Ring
8	1	407347	O-Ring
9	2	355292	End Plate
10	4	493460	Socket Head Cap Screw
11	2	2016N-9	Tube Seal

Spool Chart		
Part Number	Type	Description
355865	A	Cylinder Spool - Closed Center
355870	B	Cylinder Spool - Open Center
355840	J	Motor Spool
355897	W	Bleeder Spool

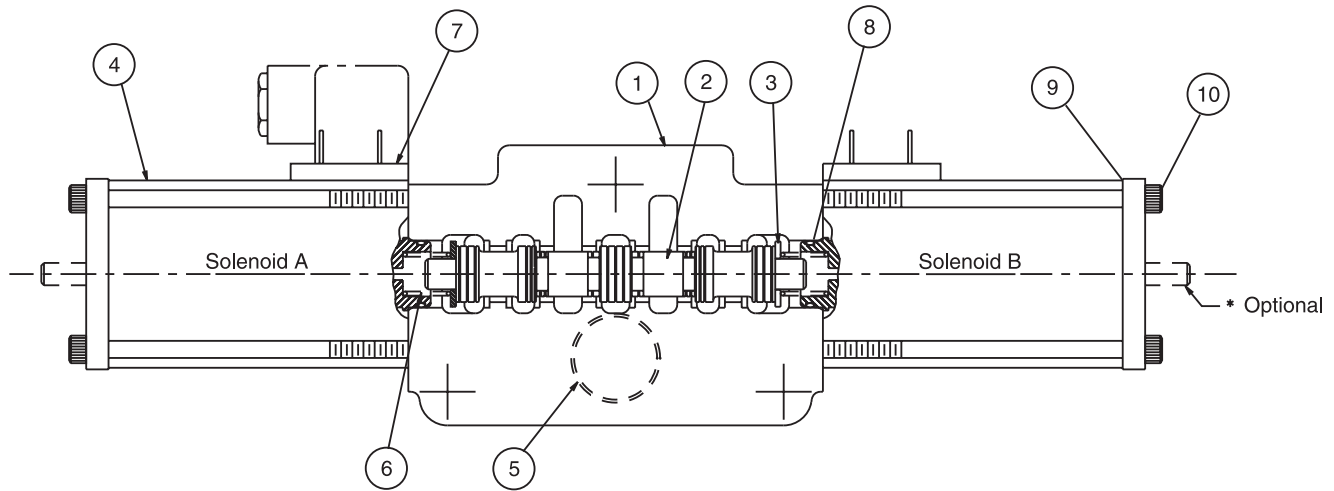
Solenoid Coil/Tube Assembly			
Code	Coil Part Number	Tube Part Number	Description
-12B	493419	708631	12 VDC Dual Spade/Flush Manual Override
-12C	493419	708631	12 VDC Dual Spade/Flush Manual Override with Ground Wire
-12D	494297	708631	12 VDC Dual Wire/Flush Manual Override
-12F	494096	708631	12 VDC DIN/Flush Manual Override
-12J	493419	708630	12 VDC Dual Spade/Extended Manual Override
-12K	493419	708630	12 VDC Dual Spade/Extended Manual Override with Ground Wire
-12L	494297	708630	12 VDC Dual Wire/Extended Manual Override
-12N	494096	708630	12 VDC DIN/Extended Manual Override
-12R	493419	708641	12 VDC Dual Spade/Palm Button Override
-24B	493420	708631	24 VDC Dual Spade/Flush Manual Override
-24C	493420	708631	24 VDC Dual Spade/Flush Manual Override with Ground Wire
-24D	494307	708631	24 VDC Dual Wire/Flush Manual Override
-24F	494091	708631	24 VDC DIN/Flush Manual Override
-24J	493420	708630	24 VDC Dual Spade/Extended Manual Override
-24K	493420	708630	24 VDC Dual Spade/Extended Manual Override with Ground Wire
-24N	494091	707720	24 VDC DIN/Extended Manual Override with Palm Button
-115A	707097	708370	115 VAC DIN/Flush Manual Override (Coil Includes Rectifier)



Parts			
Item	Quantity	Part Number	Description
1	1	-	Non-Serviceable Body
2	1	407342	O-Ring
3	1	355414	Plug
4	4	494327	Socket Head Cap Screw
5	1	355415	End Plate
6	1	2016N-9	O-Ring
7	2	493635	Spring
8	1	See Chart	Spool
9	1	407347	O-Ring
10	2	355841	Spring, Seat
11	1	See Chart	Solenoid Coil/Tube Assembly
12	1	355292	End Plate

Spool Chart		
Part Number	Type	Description
355865	A	Cylinder Spool - Closed Center
355870	B	Cylinder Spool - Open Center
355840	J	Motor Spool

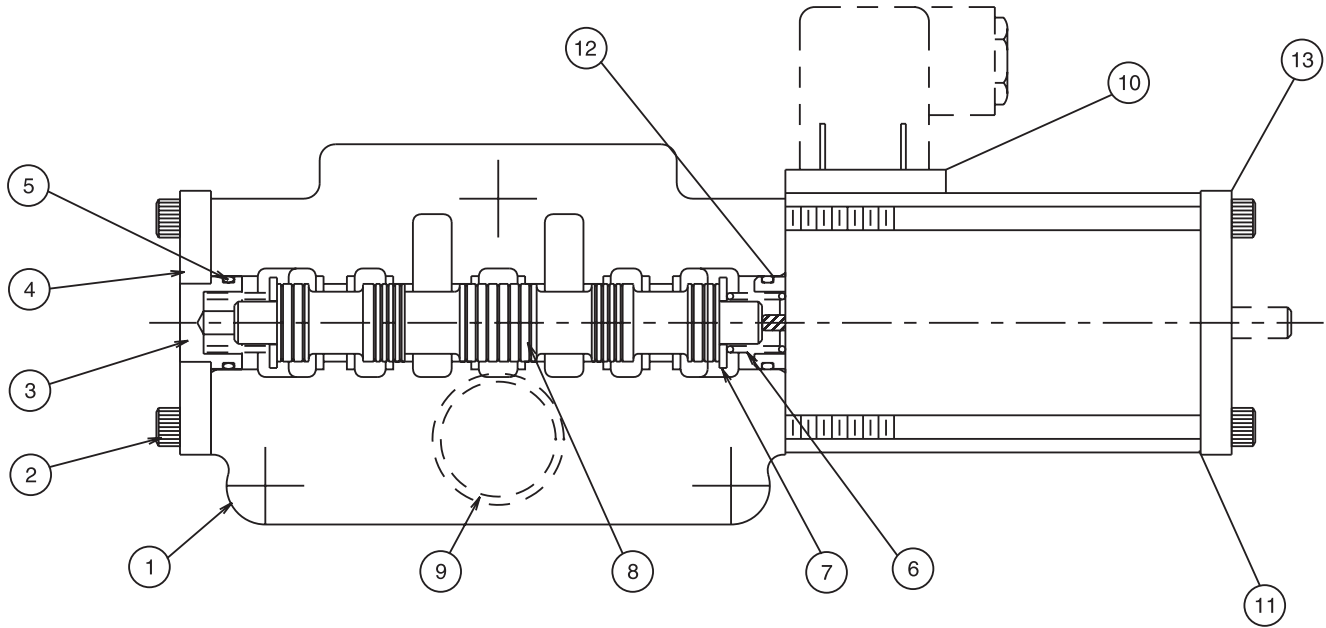
Solenoid Coil/Tube Assembly			
Code	Coil Part Number	Tube Part Number	Description
-12B	493419	708631	12 VDC Dual Spade/Flush Manual Override
-12C	493419	708631	12 VDC Dual Spade/Flush Manual Override with Ground Wire
-12D	494297	708631	12 VDC Dual Wire/Flush Manual Override
-12F	494096	708631	12 VDC DIN/Flush Manual Override
-12J	493419	708630	12 VDC Dual Spade/Extended Manual Override
-12K	493419	708630	12 VDC Dual Spade/Extended Manual Override with Ground Wire
-12L	494297	708630	12 VDC Dual Wire/Extended Manual Override
-12N	494096	708630	12 VDC DIN/Extended Manual Override
-12R	493419	708641	12 VDC Dual Spade/Palm Button Override
-24B	493420	708631	24 VDC Dual Spade/Flush Manual Override
-24C	493420	708631	24 VDC Dual Spade/Flush Manual Override with Ground Wire
-24D	494307	708631	24 VDC Dual Wire/Flush Manual Override
-24F	494091	708631	24 VDC DIN/Flush Manual Override
-24J	493420	708630	24 VDC Dual Spade/Extended Manual Override
-24K	493420	708630	24 VDC Dual Spade/Extended Manual Override with Ground Wire
-24N	494091	707720	24 VDC DIN/Extended Manual Override with Palm Button
-115A	707097	708370	115 VAC DIN/Flush Manual Override (Coil Includes Rectifier)



Parts			
Item	Quantity	Part Number	Description
1	1	-	Non-Serviceable Body
2	1	See Chart	Spool
3	2	493526	Washer
4	2	See Chart	Solenoid Tube
5	1	407347	O-Ring
6	2	493483	Spring
7	2	See Chart	Solenoid Coil
8	2	2016N-9	Tube Seal
9	2	355292	End Plate
10	8	493460	Socket Head Cap Screw

Spool Chart		
Part Number	Type	Description
355535	B	Open Center
355492	D	Tandem Center

Solenoid Coil/Tube Assembly			
Code	Coil Part Number	Tube Part Number	Description
-12B	493419	708631	12 VDC Dual Spade/Flush Manual Override
-12C	493419	708631	12 VDC Dual Spade/Flush Manual Override with Ground Wire
-12D	494297	708631	12 VDC Dual Wire/Flush Manual Override
-12F	494096	708631	12 VDC DIN/Flush Manual Override
-12J	493419	708630	12 VDC Dual Spade/Extended Manual Override
-12K	493419	708630	12 VDC Dual Spade/Extended Manual Override with Ground Wire
-12L	494297	708630	12 VDC Dual Wire/Extended Manual Override
-12N	494096	708630	12 VDC DIN/Extended Manual Override
-12R	493419	708641	12 VDC Dual Spade/Palm Button Override
-24B	493420	708631	24 VDC Dual Spade/Flush Manual Override
-24C	493420	708631	24 VDC Dual Spade/Flush Manual Override with Ground Wire
-24D	494307	708631	24 VDC Dual Wire/Flush Manual Override
-24F	494091	708631	24 VDC DIN/Flush Manual Override
-24J	493420	708630	24 VDC Dual Spade/Extended Manual Override
-24K	493420	708630	24 VDC Dual Spade/Extended Manual Override with Ground Wire
-24N	494091	707720	24 VDC DIN/Extended Manual Override with Palm Button
-115A	707097	708370	115 VAC DIN/Flush Manual Override (Coil Includes Rectifier)



Parts			
Item	Quantity	Part Number	Description
1	1	-	Non-Serviceable Body
2	4	494327	Socket Head Cap Screw
3	1	355414	Plug
4	1	355415	End Plate
5	1	408870	O-Ring
6	2	493483	Spring
7	2	493526	Washer
8	1	See Chart	Spool
9	2	407347	O-Ring
10	1	See Chart	Solenoid Coil
11	1	See Chart	Solenoid Tube
12	1	2016N-9	Seal - Tube
13	1	355292	End Plate

Spool Chart		
Part Number	Type	Description
355535	B	Open Center
355492	D	Tandem Center

Solenoid Coil/Tube Assembly			
Code	Coil Part Number	Tube Part Number	Description
-12B	493419	708631	12 VDC Dual Spade/Flush Manual Override
-12C	493419	708631	12 VDC Dual Spade/Flush Manual Override with Ground Wire
-12D	494297	708631	12 VDC Dual Wire/Flush Manual Override
-12F	494096	708631	12 VDC DIN/Flush Manual Override
-12J	493419	708630	12 VDC Dual Spade/Extended Manual Override
-12K	493419	708630	12 VDC Dual Spade/Extended Manual Override with Ground Wire
-12L	494297	708630	12 VDC Dual Wire/Extended Manual Override
-12N	494096	708630	12 VDC DIN/Extended Manual Override
-12R	493419	708641	12 VDC Dual Spade/Palm Button Override
-24B	493420	708631	24 VDC Dual Spade/Flush Manual Override
-24C	493420	708631	24 VDC Dual Spade/Flush Manual Override with Ground Wire
-24D	494307	708631	24 VDC Dual Wire/Flush Manual Override
-24F	494091	708631	24 VDC DIN/Flush Manual Override
-24J	493420	708630	24 VDC Dual Spade/Extended Manual Override
-24K	493420	708630	24 VDC Dual Spade/Extended Manual Override with Ground Wire
-24N	494091	707720	24 VDC DIN/Extended Manual Override with Palm Button
-115A	707097	708370	115 VAC DIN/Flush Manual Override (Coil Includes Rectifier)

MD04/MD06 Tie Rod Kits			
Part Number	Where Used	Number of Sections	Description
708162	MD04/MD06	1	Series Valve with or without Relief
708163	MD04/MD06	2	Series Valve with Relief
708164	MD04/MD06	3	Series Valve with Relief
708155	MD04/MD06	4	Series Valve with Relief
708156	MD04/MD06	5	Series Valve with Relief
707871	MD04/MD06	1	Series Valve without Relief
707872	MD04/MD06	2	Series Valve without Relief
707873	MD04/MD06	3	Series Valve without Relief
707874	MD04/MD06	4	Series Valve without Relief
707875	MD04/MD06	5	Series Valve without Relief
707671	MD04/MD06	1	Parallel Valve without Relief
707672	MD04/MD06	1	Parallel Valve with Relief
707672	MD04/MD06	2	Parallel Valve without Relief
707673	MD04/MD06	2	Parallel Valve with Relief
707673	MD04/MD06	3	Parallel Valve without Relief
707674	MD04/MD06	3	Parallel Valve with Relief
707674	MD04/MD06	4	Parallel Valve without Relief
707675	MD04/MD06	4	Parallel Valve with Relief
707675	MD04/MD06	5	Parallel Valve without Relief
707676	MD04/MD06	5	Parallel Valve with Relief

Parker Hydraulics International Sales Offices

North America

Hydraulics Group Headquarters

6035 Parkland Boulevard
Cleveland, OH 44124-4141 USA
Tel: 216-896-3000
Fax: 216-896-4031

Parker Hannifin Canada

Motion & Control Division – Milton

160 Chisholm Drive Milton
Ontario Canada L9T 3G9
Tel: 905-693-3000
Fax: 905-876-1958

Mexico

Parker Hannifin de México

Av eje uno norte num 100
Parque Industrial Toluca 2000
Toluca, Mex C.P. 50100
Tel: 52 722 2754200
Fax: 52 722 2799308

Europe

Europe Hydraulics Group

Parker Hannifin Corporation

Parker House
55 Maylands Avenue
Hemel Hempstead, Herts
HP2 4SJ England
Tel: 44 1442 458000
Fax: 44 1442 458085

Latin America

Brazil

Hydraulics Division

Parker Hannifin Ind. e Com. Ltda
Av. Frederico Ritter, 1100
Cachoeirinha RS, 94930-000 Brazil
Tel: 55 51 3470 9144
Fax: 55 51 3470 3100

Mobile Sales

Mobile Sales Organization and Global Sales

595 Schelter Road
Suite 100
Lincolnshire, IL 60069 USA
Tel: 847-821-1500
Fax: 847-821-7600

Industrial Sales

Great Lakes Region

3700 Embassy Parkway
Suite 260
Fairlawn, OH 44333 USA
Tel: 330-670-2680
Fax: 330-670-2681

Southern Region

1225 Old Alpharetta Road
Suite 290
Alpharetta, GA 30005 USA
Tel: 770-619-9767
Fax: 770-619-9806

Chicago Region

1163 E. Ogden Avenue
Suite 705, #358
Naperville, IL 60563 USA
Tel: 630-964-0796
Fax: 866-473-9274

Pacific Region

8460 Kass Drive
Buena Park, CA 90621
Tel: 714-228-2510
Fax: 714-228-2511

Eastern Region

100 Corporate Drive
Lebanon, NJ 08833 USA
Tel: 908-236-4121
Fax: 908-236-4146

Asia Pacific

Asia Pacific Headquarters

Parker Hannifin Hong Kong Ltd

8/F, Kin Yip Plaza
9 Cheung Yee Street
HK-Cheung Sha Wan, Hong Kong
Tel: 852 2428 8008
Fax: 852 2425 6896

Australia Headquarters

Parker Hannifin Pty Ltd.

9 Carrington Road
Castle Hill, NSW 2154, Australia
Tel: 612 9634 7777
Fax: 612 9842 5111

China Headquarters

Parker Hannifin Motion & Control (Shanghai) Co., Ltd

280 Yunqiao Road,
Jin Qiao Export Processing Zone
CN-Shanghai 201206, China
Tel: 86 21 5031 2525
Fax: 86 21 5834 3714

Korea Headquarters

Parker Hannifin Korea Ltd

6F Daehwa Plaza
169 Samsung-dong, Gangnam-gu
KR-Seoul, 135-090, Korea
Tel: 82 2 559 0400
Fax: 82 2 556 8187

South Africa

Parker Hannifin Africa Pty Ltd

Parker Place

10 Berne Avenue Aeroport
P.O. Box 1153
ZA-Kempton Park 1620,
Republic of South Africa
Tel: 27 11 961 0700
Fax: 27 11 392 7213



Parker Hannifin Corporation
Hydraulic Valve Division
520 Ternes Avenue
Elyria, Ohio 44035 USA
Tel: 440 366 5200
Fax: 440 366 5253
www.parker.com/hydraulicvalve

Bulletin HY14-2731-M1, 2/08

Your Local Authorized Parker Distributor