



Bulletin HY14-2405-M1/US
Service Bulletin

Mobile Accessory Valves

Effective: June 01, 2006



Contents

CFD.....	1
CFDA.....	2
CFQ.....	3
CFQ—with Relief	4
DC25A—No Relief	5
DC25A—with Relief	6
DS	7
DWV	8
DXV	9
HP20/HP50	10
H.....	11
HM.....	12
LO.....	13
LOA	14
PD	15
PDC.....	15
RPJL.....	16
RPL	16
S	11
SM.....	12
WJL	17
Offer of Sale.....	18

WARNING

FAILURE OR IMPROPER SELECTION OR IMPROPER USE OF THE PRODUCTS AND/OR SYSTEMS DESCRIBED HEREIN OR RELATED ITEMS CAN CAUSE DEATH, PERSONAL INJURY AND PROPERTY DAMAGE.

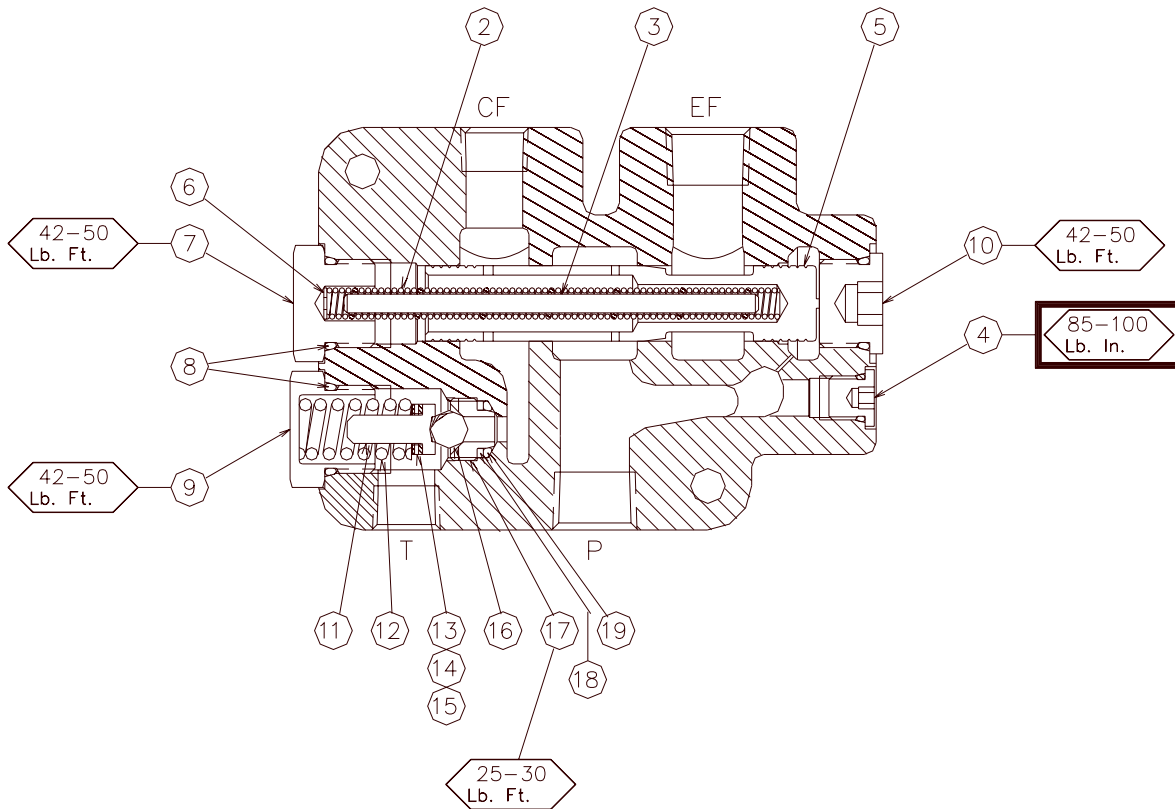
This document and other information from Parker Hannifin Corporation, its subsidiaries and authorized distributors provide product and/or system options for further investigation by users having technical expertise. It is important that you analyze all aspects of your application and review the information concerning the product or system in the current product catalog. Due to the variety of operating conditions and applications for these products or systems, the user, through its own analysis and testing, is solely responsible for making the final selection of the products and systems and assuring that all performance, safety and warning requirements of the application are met.

The products described herein, including without limitation, product features, specifications, designs, availability and pricing, are subject to change by Parker Hannifin Corporation and its subsidiaries at any time without notice.

Offer of Sale

The items described in this document are hereby offered for sale by Parker Hannifin Corporation, its subsidiaries or its authorized distributors. This offer and its acceptance are governed by the provisions stated in the "Offer of Sale".





Service Parts

Item	Part Number	Description	Qty
2	01456001	Spring	1
3	01455001	Spring Guide	1
4	4HP50V-S	# 4 SAE Plug	1
5	See Table	Spool	1
6	01448001	Spacer	1
7	01459001	Spool Cap	1
8	3910N-9	O-Ring	2
9*	08650261	Relief Valve (1500 - 2500 PSI)	1
10	10HP50V-S	#10 SAE Plug	1
11**	01452001	Guide, Ball & Spring	1
12	01869001	Spring (500 - 1500 PSI)	1
12	07638001	Spring (1500 - 2500 PSI)	1
13	00458001	Spacer .040	As Needed
14	00459001	Spacer .020	As Needed
15	00462001	Space .010	As Needed
16	403067	Ball	1
17	01454001	Seat	1
18	01453001	Back-Up Ring	1
19	2110N-7	O-Ring	1

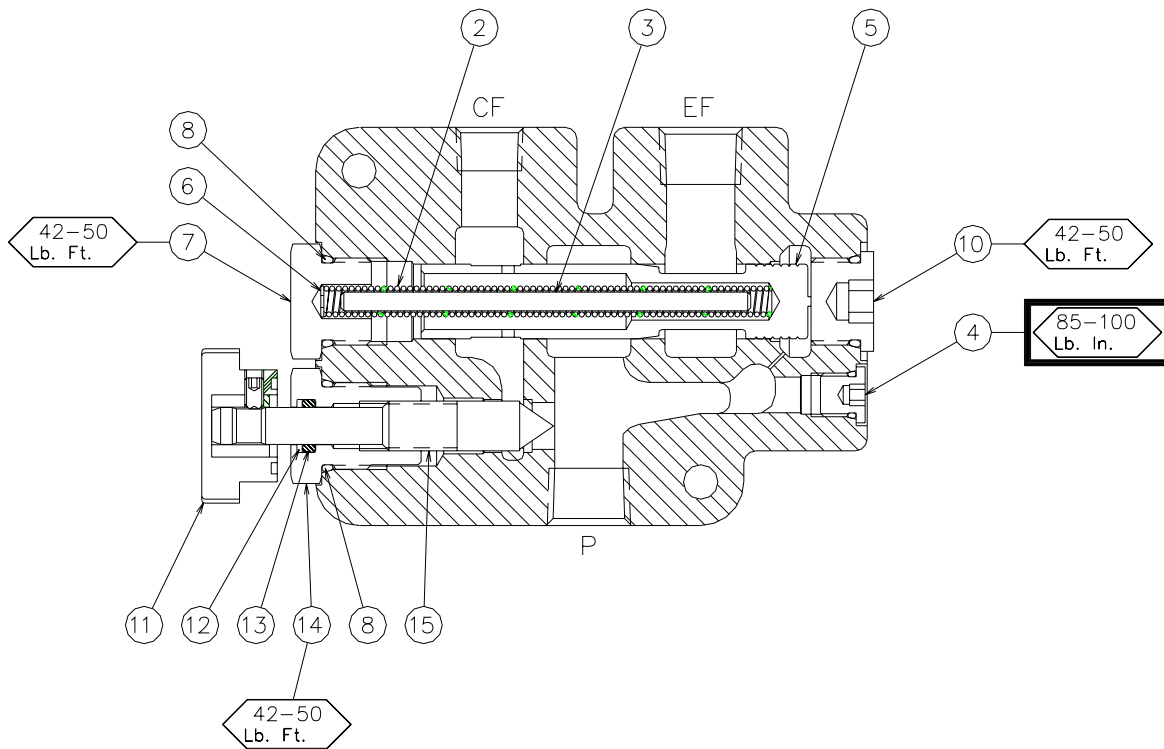
* Item 9 includes items 10-19

** Item 11 includes items 12 & 16

Spool Table

Part Number	Description
01461001	1 GPM
01447001	1.5 GPM
01462001	2 GPM
01463001	3 GPM
01464001	4 GPM
01465001	5 GPM
01466001	6 GPM
01467001	7 GPM
01468001	8 GPM
01469001	9 GPM
01470001	10 GPM

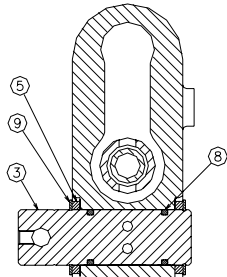
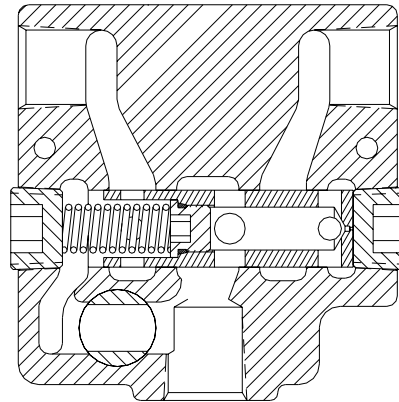
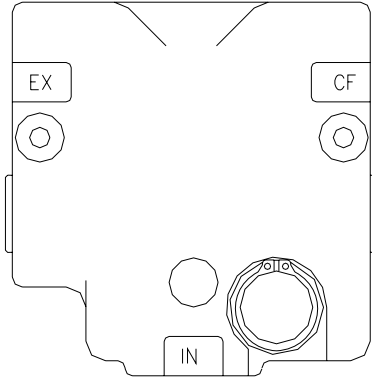
Shaded items non-standard - available provided item in stock



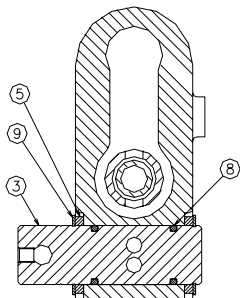
Service Parts

Item	Part Number	Description	Qty
2	01456001	Spring	1
3	01455001	Spring Guide	1
4	4HP50V-S	# 4 SAE Plug	1
5	03239001	Spool	1
6	01448001	Spacer	1
7	01459001	Spool Cap	1
8	02707001	O-Ring	2
10	10HP50V-S	#10 SAE Plug	1
11	03236001	Knob	1
12	493333	Teflon Back Ring	1
13	03237001	O-Ring	1
14	03233001	Plug	1
15	03234001	Needle	1

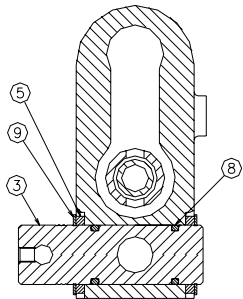
Item 11 - 15 Optional Lock Nut Kit P/N 08650262



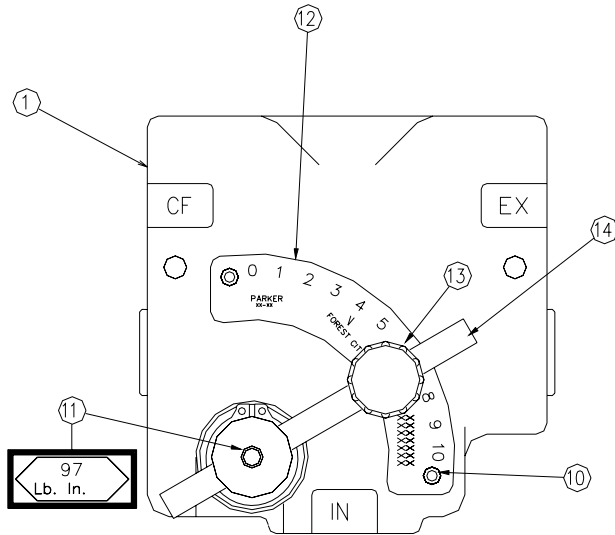
8 GPM ROTOR



16 GPM ROTOR



30 GPM ROTOR



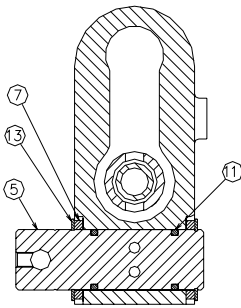
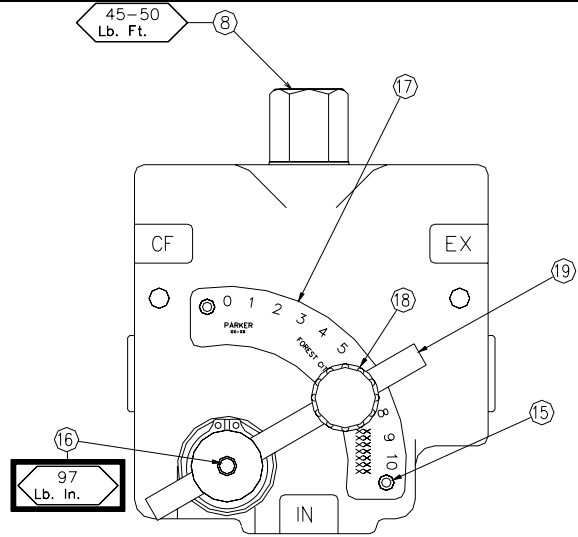
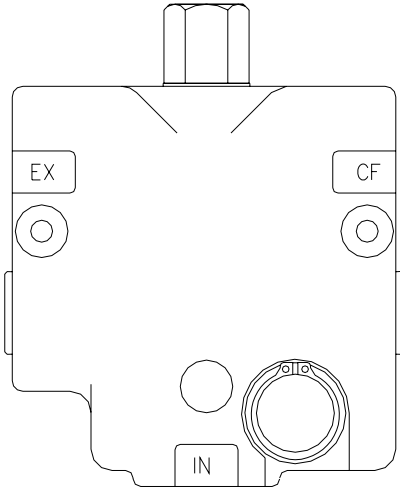
Service Parts

Item	Part Number	Description	Qty
3	00364564	Rotor 30 GPM (#12, #75)	1
3	00364959	Rotor 16 GPM (#10, #10)	1
3	00364960	Rotor 8 GPM (#8, #38)	1
5	00364784	Gasket	2
8	2116N-7	O-Ring	1
9	70-01161	Retaining Ring	2
10	401720	Roll Pin	1
11	400852	Set Screw	1
12	00364569	Flow Regulating Plate	1
13	00364567	Clamping Knob	1
14	00364565	Control Lever	1

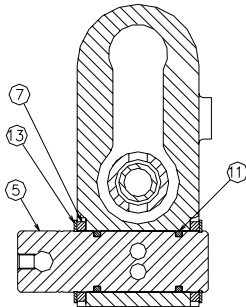
All other components are non-serviceable items

Repair Kit

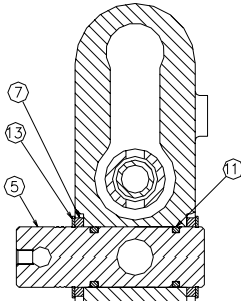
Description	Part Number
Includes items 5-9, 11, 12-13	00712424



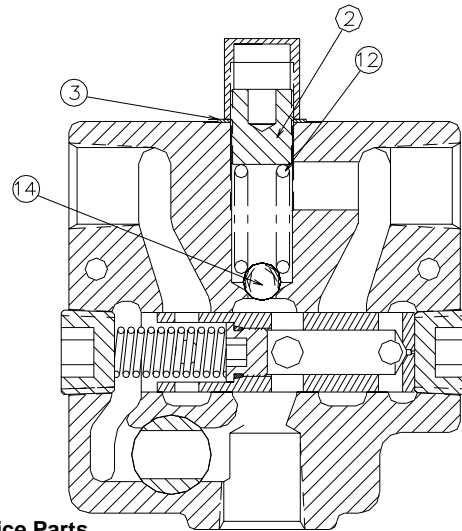
8 GPM ROTOR



16 GPM ROTOR



30 GPM ROTOR



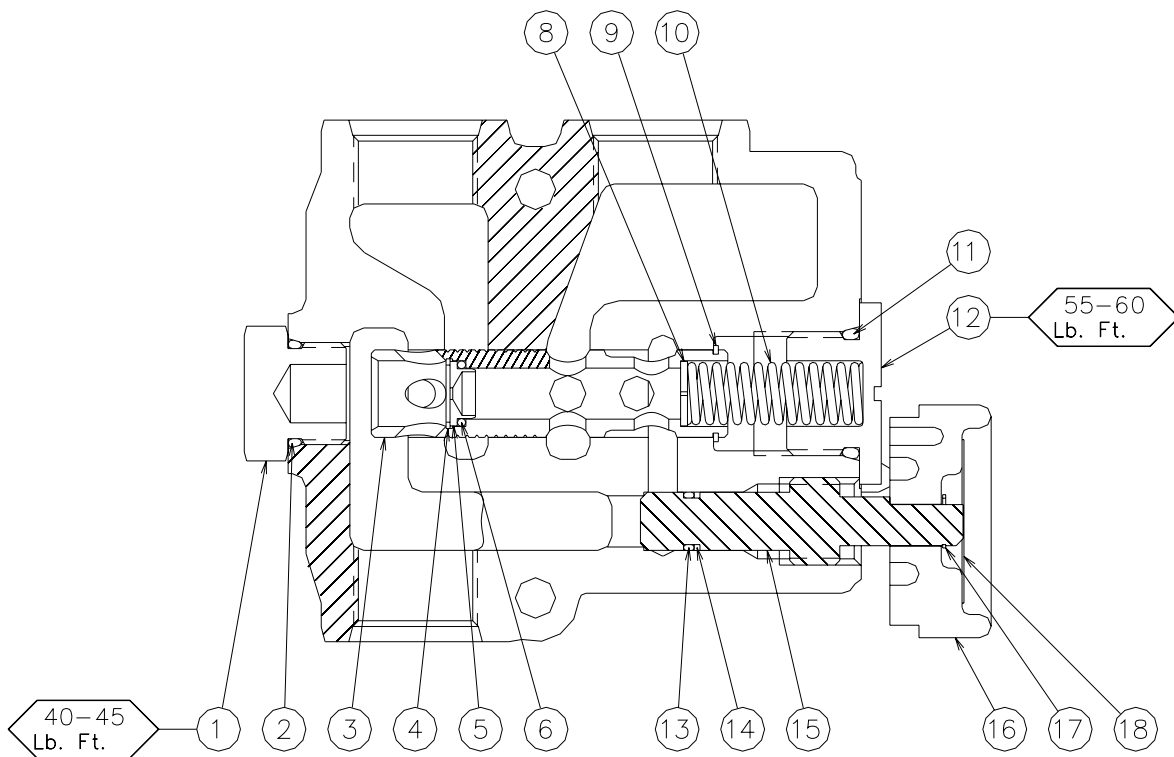
Service Parts

Item	Part Number	Description	Qty
2	00364561	Set Screw	1
3	00364562	Washer	1
5	00364564	Rotor 30 GPM (#12, #75)	1
5	00364959	Rotor 16 GPM (#10, #10)	1
5	00364960	Rotor 8 GPM (#8, #38)	1
7	00364784	Gasket	2
8	00364962	Nut	1
11	2116N-7	O-Ring	1
12	00365025	Spring	1
13	70-01161	Retaining Ring	2
14	401068	Ball	1
15	401720	Roll Pin	1
16	400852	Set Screw	1
17	00364569	Flow Regulating Plate	1
18	00364567	Clamping Knob	1
19	00364565	Control Lever	1

All other components are non-serviceable items

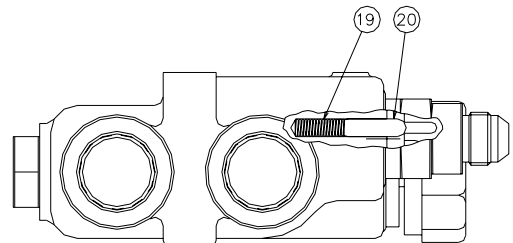
Repair Kit

Description	Part Number
Includes items 3, 7, 11, 13, 16, 18, & 19	00712424

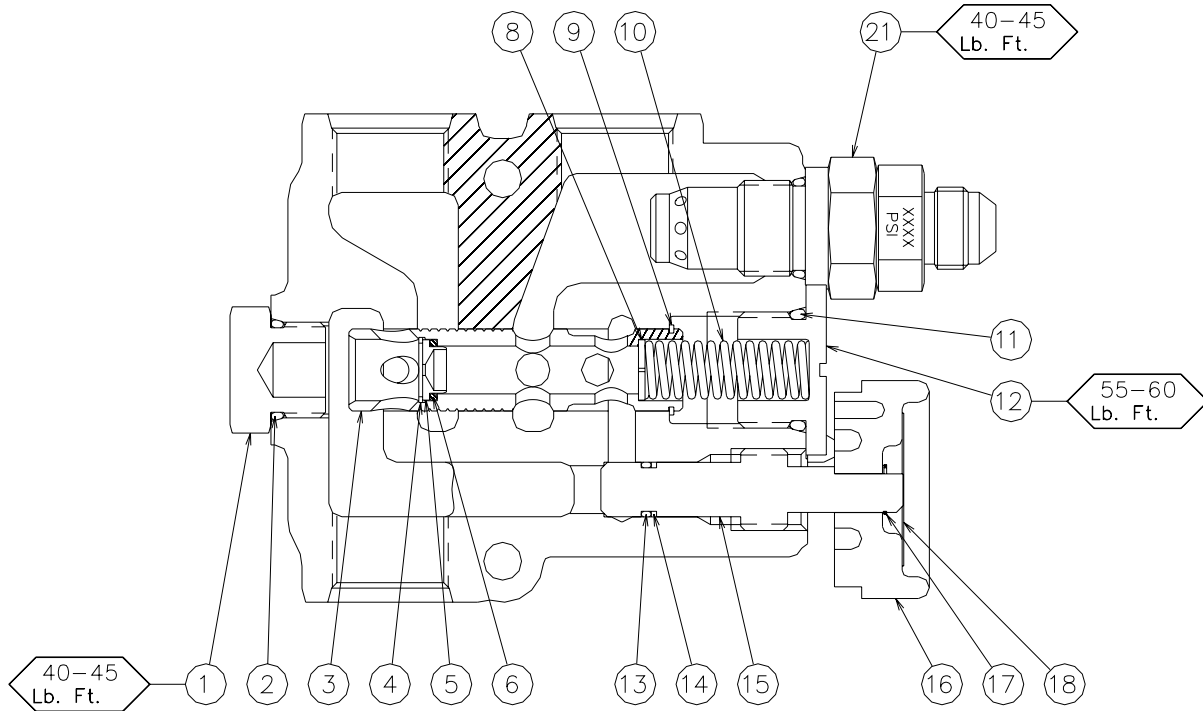


Service Parts

Item	Part Number	Description	Qty
1	01458001	SAE - 10 Plug	1
2	3907N-7	O-Ring	1
3	08381001	Spool	1
4	09321056	Retaining Ring	1
5	08383000	Plug	1
6	2013N-7	O-Ring	1
8	08386001	Spring Stop	1
9	00602001	Retaining Ring	1
10	08384001	Spring	1
11	3912V-9	O-Ring	1
12	08382001	SAE - 12 Plug	1
13	2012V-7	O-Ring	1
14	408846	Teflon B-U Ring	1
15	00362911	Needle	1
16	08412001	Knob	1
17	08424001	Retaining Ring	1
18	08411001	Decal	1
19	08408001	Spring	1
20	08409001	Pin, Detent	1



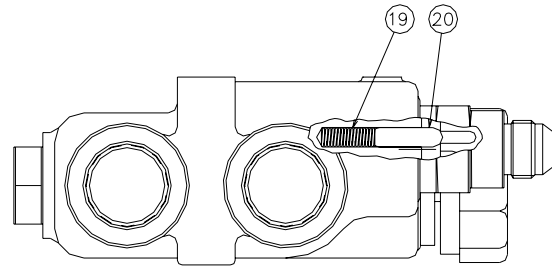
All other components are non-serviceable items



Service Parts

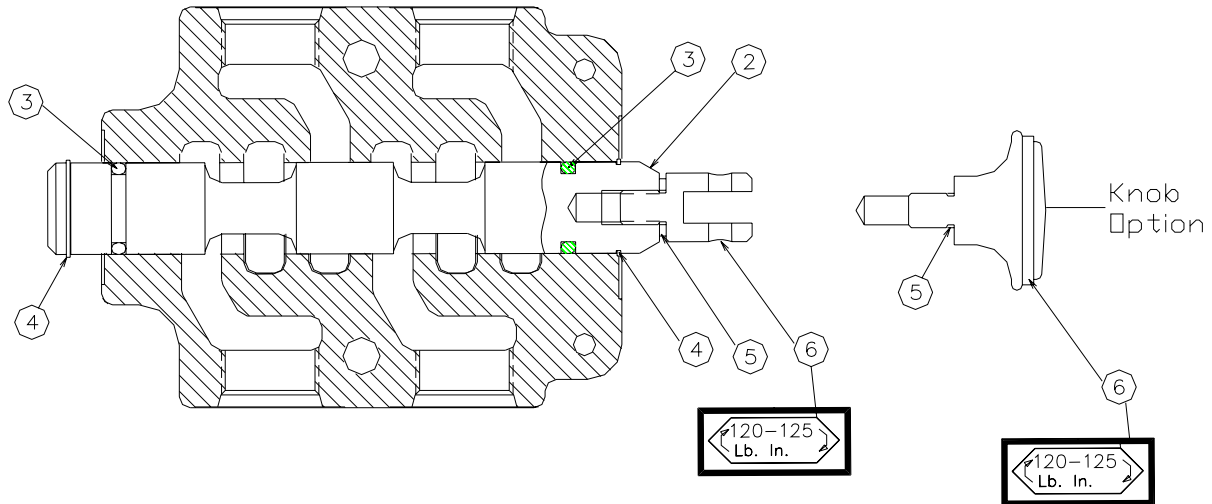
Item	Part Number	Description	Qty
1	01458001	SAE - 10 Plug	1
2	3907N-7	O-Ring	1
3	08381001	Spool	1
4	09321056	Retaining Ring	1
5	08383000	Plug	1
6	2013N-7	O-Ring	1
8	08386001	Spring Stop	1
9	00602001	Retaining Ring	1
10	08384001	Spring	1
11	3912V-9	O-Ring	1
12	08382001	SAE - 12 Plug	1
13	2012V-7	O-Ring	1
14	408846	Teflon B-U Ring	1
15	00362911	Needle	1
16	08412001	Knob	1
17	08424001	Retaining Ring	1
18	08411001	Decal	1
19	08408001	Spring	1
20	08409001	Pin, Detent	1
21	See Table Below	Relief Valve	1

All other components are non-serviceable items



Item 21

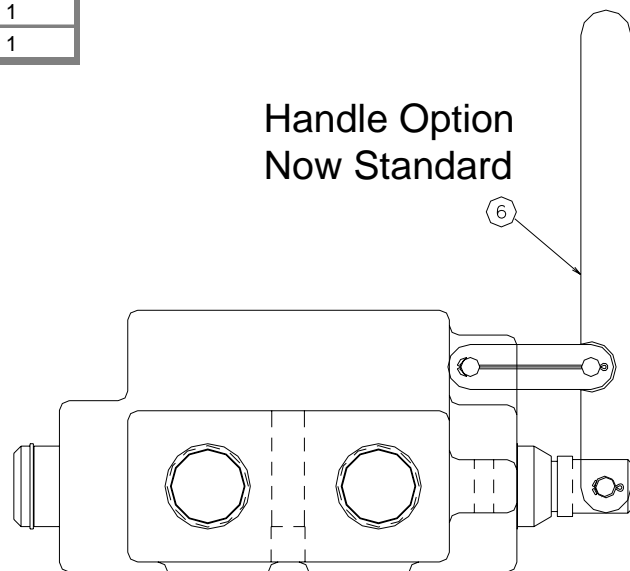
Part Number	Description
20089001	34 to 86 Bar (500 to 1250 PSI)
20089002	34 to 121 Bar (1250 to 1750 PSI)
20089003	121 to 138 Bar (1750 to 2000 PSI)
20089004	138 to 179 Bar (2000 to 2600 PSI)
20089005	179 to 207 Bar (2600 to 3000 PSI)

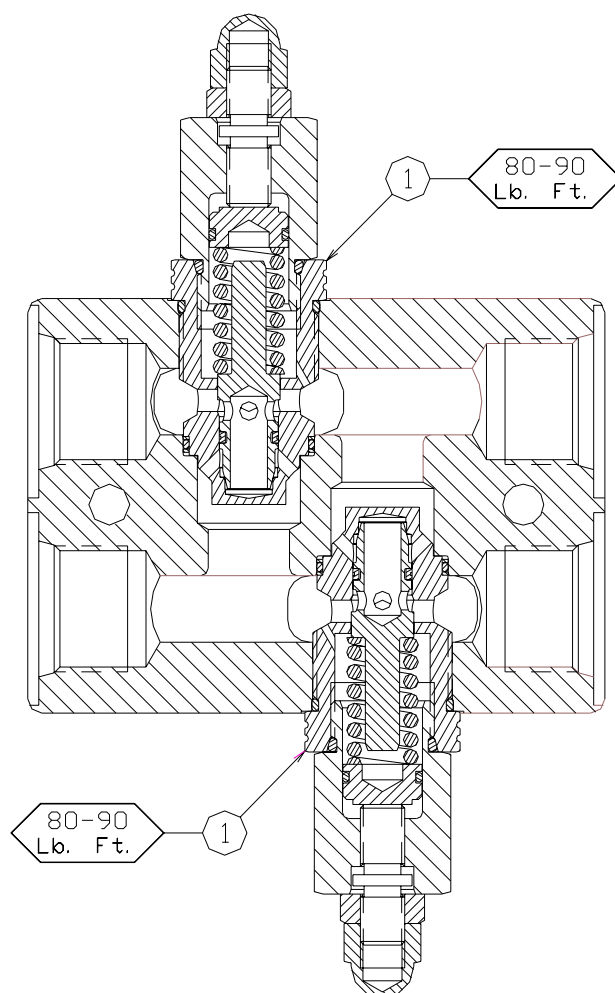


Service Parts

Item	Part Number	Description	Qty
2	01477001	Spool	1
3	07700001	O-Ring	2
4	09325032	Retaining Ring	1
5	00603001	Lockwasher	1
6	06656001	Handle Kit	1
6	08650235*	Clevis Kit	1
6	06645001*	Knob Kit	1

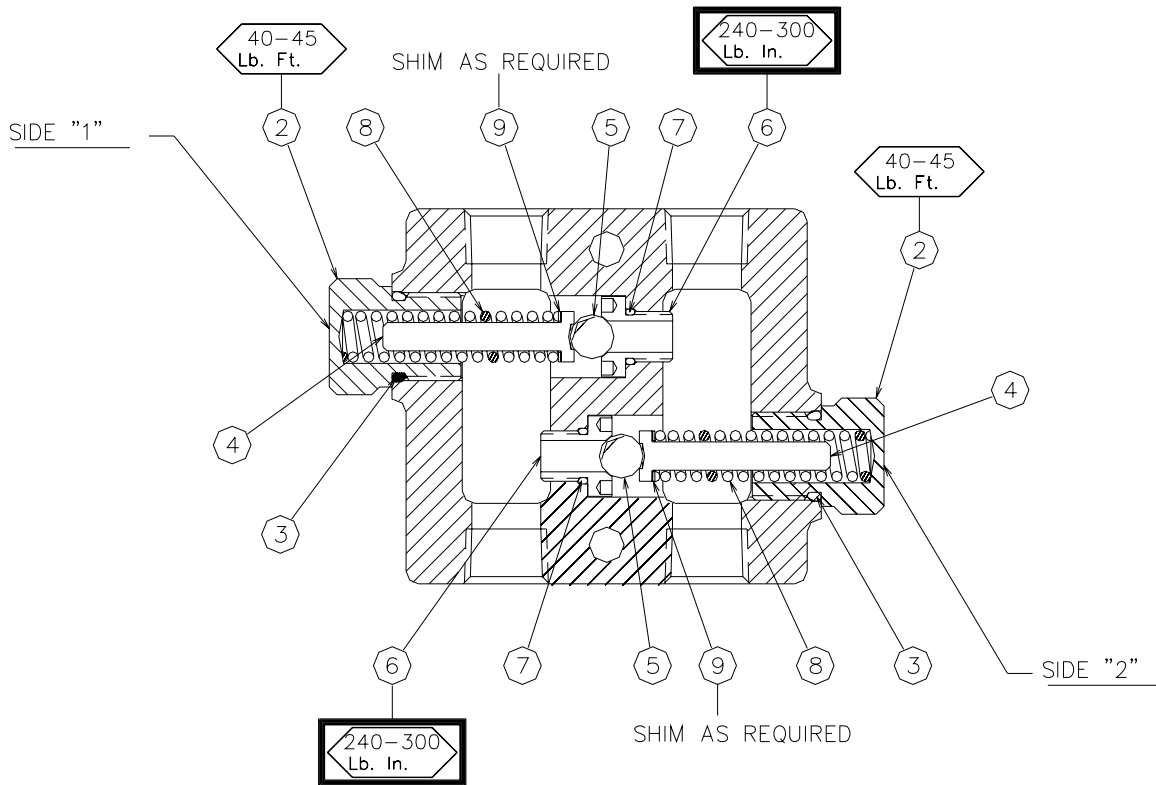
* Includes item 5 Lockwasher





Service Parts

Item	Part Number	Description	Qty
1	WH-1200	Relief Valve (500 - 1250 PSI)	2
1	WH-1950	Relief Valve (1250 - 2000 PSI)	2
1	WH-2550	Relief Valve (2000 - 2500 PSI)	2
1	WH-3000	Relief Valve (2000 - 3000 PSI)	2
	00712359	Relief Seal Kit	1/Cartridge
	00462001	Shim Adjust Kit (100 PSI)	As Req'd
	00459001	Shim Adjust Kit (150 - 250 PSI)	As Req'd
	00458001	Shim Adjust Kit (1250 - 450 PSI)	As Req'd

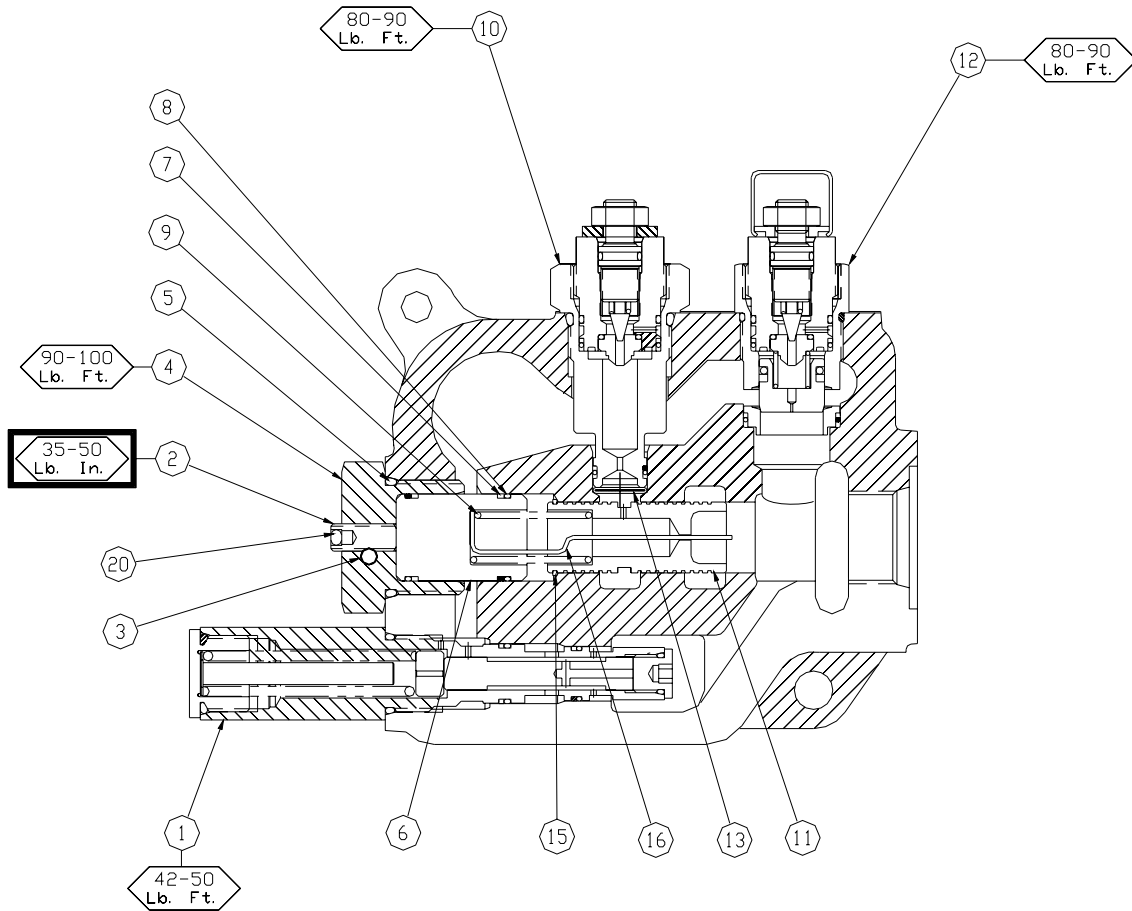


Service Parts

Item	Part Number	Description	Qty
2	00451001	Spring Cap	2
3	2115N-7	O-Ring	2
4	See Table	Spring Guide	2
4	See Table	Spring Guide	2
5	See Table	Ball (400 - 2300 PSI)	2
5	See Table	Ball (2300 - 3000 PSI)	2
6	See Table	Seat (400 - 1450 PSI)	2
6	See Table	Seat (1500 - 2000 PSI)	2
6	See Table	Seat (2000 - 3000 PSI)	2
7	3905N-9	O-Ring	2
8	00454001	Spring (400 PSI)	2
8	03443001	Spring (750 PSI)	2
8	03458001	Spring (900 PSI)	2
8	03459001	Spring (1000 - 2300 PSI)	2
8	03460001	Spring (2000 - 3000 PSI)	2
9	00462001	Shim Adjust Kit (100 PSI)	As Req'd
9	00459001	Shim Adjust Kit (150 - 250 PSI)	As Req'd
9	00458001	Shim Adjust Kit (1250 - 450 PSI)	As Req'd

Table

Item 4 - Spring Guide	Item 5 - Ball	Item 6 - Seat
00453001	401068	00452001 (400 - 1450 PSI)
00453001	401068	00461001 (1500 - 2000 PSI)
00464001	0155001	00463001 (2000 - 3000 PSI)

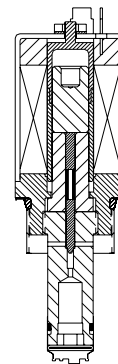


Solenoid Unloader Kit

Service Parts

Item #	Part Number	Description	Qty
1	11416001	Pilot Pressure Reducing Valve (300 PSI)	1
1	11416002	Pilot Pressure Reducing Valve (500 PSI)	1
2	00364400	Set Screw	1
3	50-02752	Dowel Pin	1
4	00364383	Plug #16 SAE	1
5	3916N-9	O-Ring	1
6	00364387	Piston	1
7	09021020	Back-Up Ring	1
8	06806001	O-Ring	1
9	10122001	Spring	1
10	See Option Table 1		1
11	10119001	Spool	1
12	RP51A-3000	Relief Valve (RPA)	1
12	04142003	Relief Plug (NR)	1
13	11889001	Screen Filter	1
15	09332081	Retaining Ring	1
16	10118001	Wire Pin	1
19*	4HP50V-S	Plug #4 SAE	1
20	363885	Ball	1

* Not Shown



NR - Plug Option

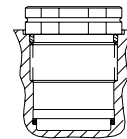
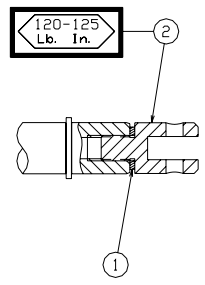
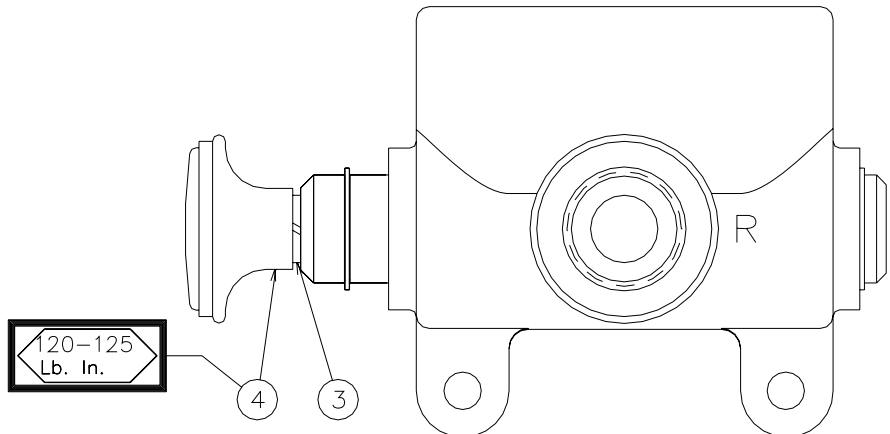
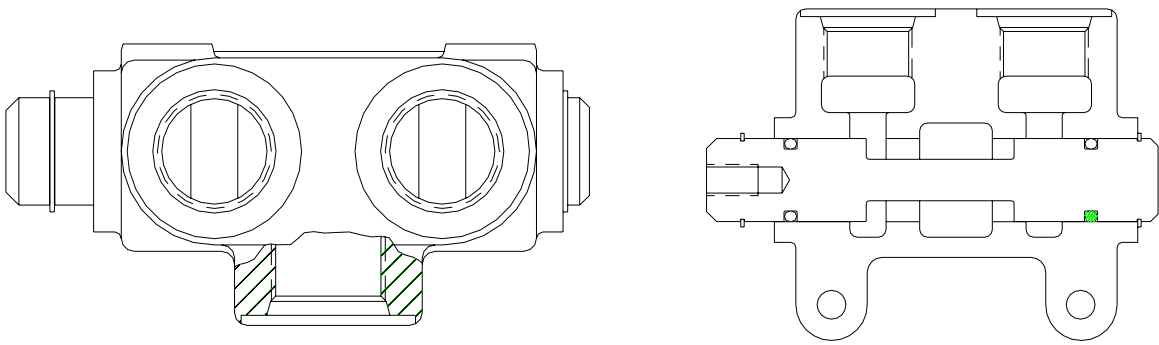


Table 1 - Item 10 Options

Part Number	Description	Qty
20275001	Relief - Mech. Adjustable	1
10722001	12 VDC Solenoid Unloader Kit	1
00711871	24 VDC Solenoid Unloader Kit	1

RP51A Relief Valve Seal Kit
 Part Number 00712223

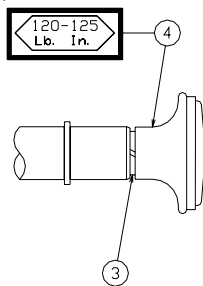
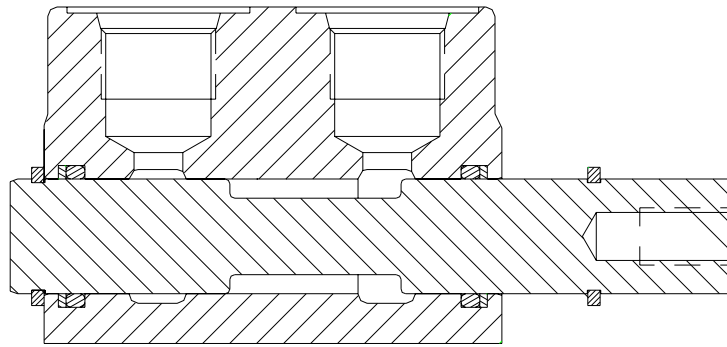
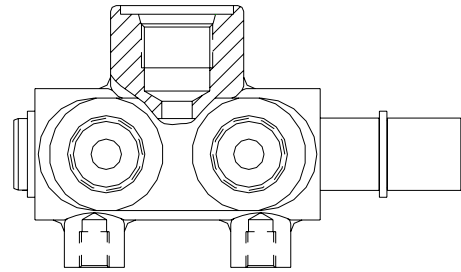
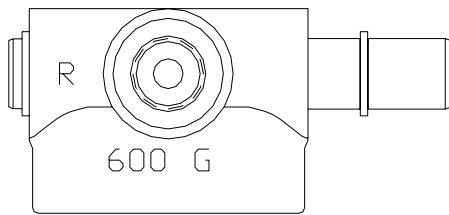


Optional Clevis

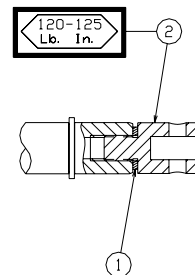
Service Parts

Item	Part Number	Description	Qty	Kits
1	00603001	Lockwasher	1	} Clevis Kit P/N - K-S-CLV
2	01478001	Clevis	1	
3	01291001	Lockwasher	1	} Knob Kit P/N - 06645001
4	00081001	Knob	1	

All other components are non-serviceable items



Knob Control



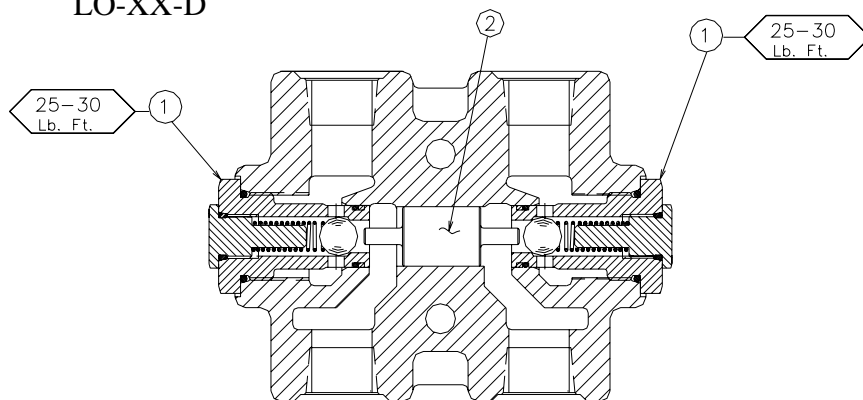
Optional Clevis

Service Parts

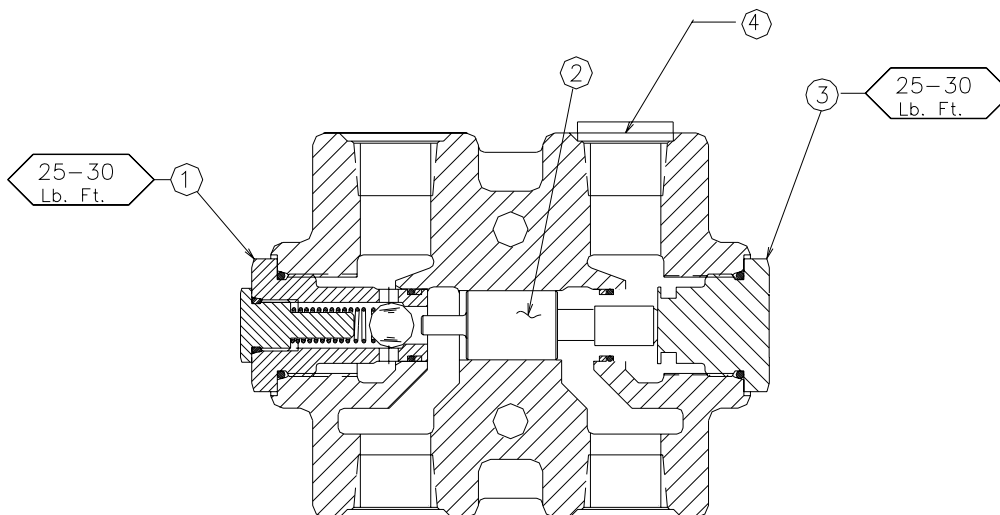
Item	Part Number	Description	Qty	Kits
1	00603001	Lockwasher	1	Clevis Kit P/N - K-S-CLV
2	01478001	Clevis	1	
3	01291001	Lockwasher	1	Knob Kit P/N - 06645001
4	00081001	Knob	1	

All other components are non-serviceable items

**Dual PO Check
 LO-XX-D**



**Single PO Check
 Plug Option
 (LO-50-S)**



Service Parts

Item	Part Number	Description
1	07350001	Single Check Valve
1*	11564001	Dual Check Valve and Piston
2	See Chart	Piston
3	00214001	Plug
4	10HP50N-S	Plug (#10)
4	400932	Plug (#50)

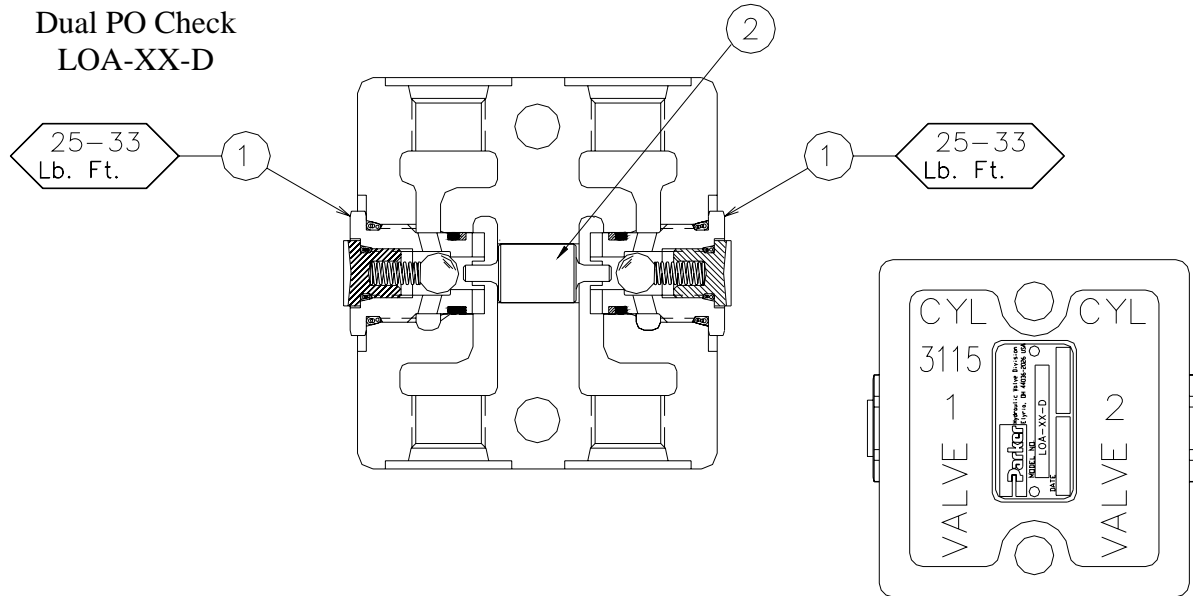
Item 2 - Piston

Part Number	Description
00211002	10 & 50 Double
00212002	10 & 50 Single
03116001	6, 25 & 38 Double
03118001	6, 25 & 38 Single

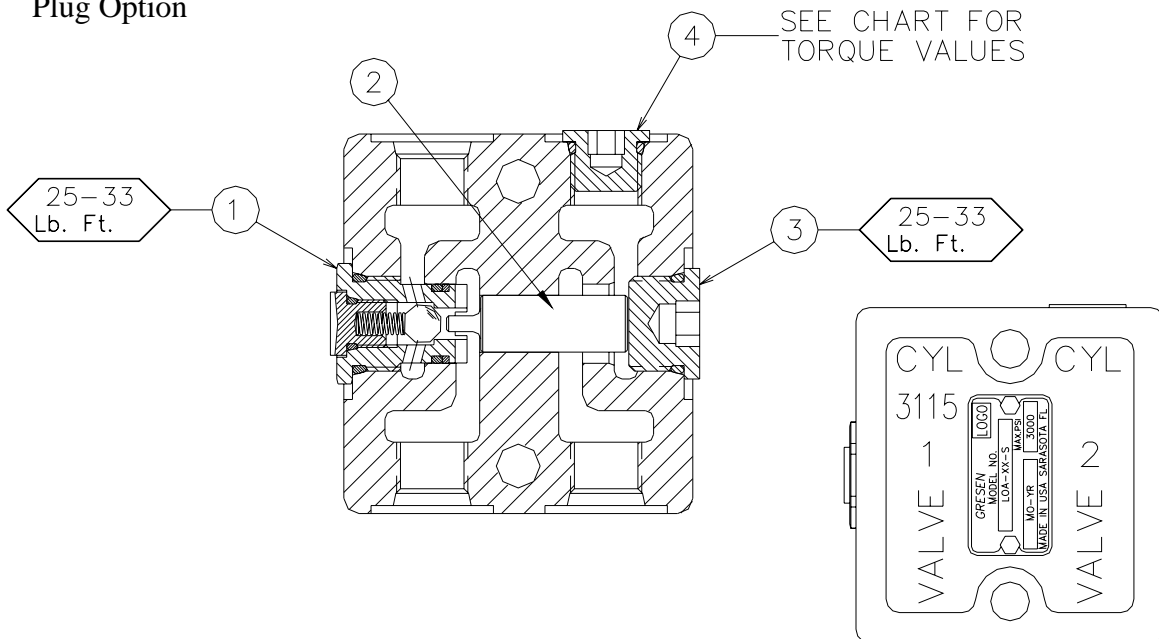
* Includes item 2 - Piston p/n 00211002

All other components are non-serviceable items

Dual PO Check
 LOA-XX-D



Single PO Check
 Plug Option



Service Parts

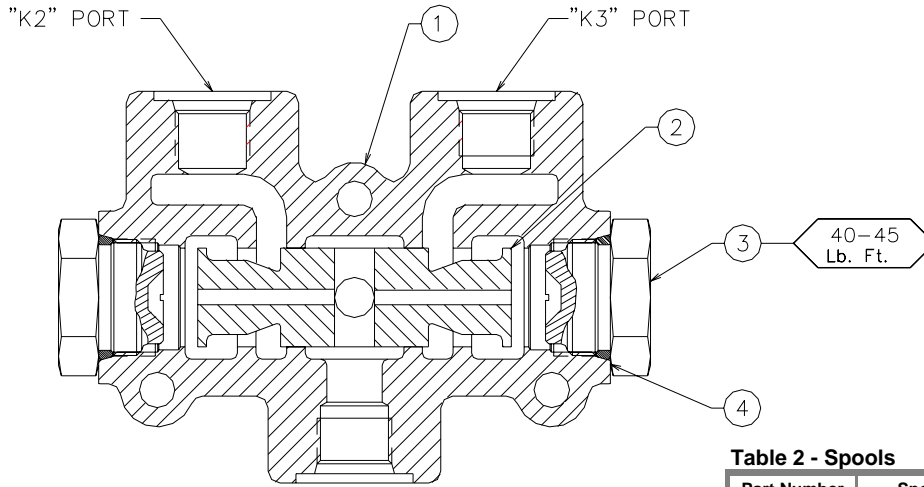
Item	Part Number	Description
1	04169001	Check Valve
2	03116001	Piston (Double)
2	03118001	Piston (Single)
3	8HP50V-S	SAE - 8 Plug
4	See Chart	Plug

All other components are non-serviceable items

Option 3 - Plug

Size	Part Number	Description	Torque Value
-6	6HP50V-S	SAE - 6 Plug	156 - 192 lb-in
-25	400928	1/4-18 NPTF Plug	28 - 32 lb in
-38	400930	3/8-18 NPTF Plug	55- 60 lb in

Series PD



Bill of Materials

Item	Part Number	Description	Qty
1	See Table 1	Housing	1
2	See Table 2	Spool	1
3	00242001	End Cap	2
4	3914N-9	O-Ring	2

Table 1 - Housing

Part Number	Description
00240001	PD-50
00240002	PD-75
00240005	PD-10
00240006	PD-12
00240007	PD-8

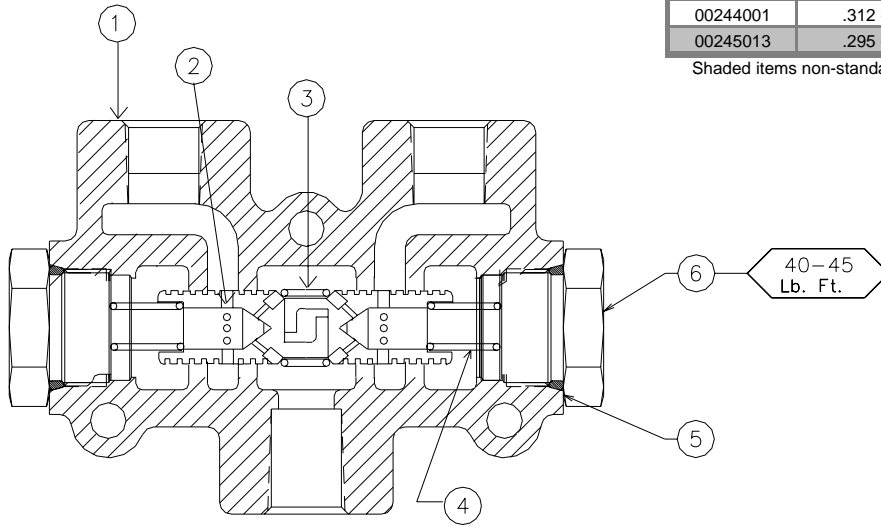
Shaded items non-standard - available provided item in stock

Table 2 - Spools

Part Number	Spool Mark	A	B	Size
00245001	.250 - .082	90	10	10 & 50
00245002	.238 - .120	80	20	10 & 50
00245003	.221 - .147	70	30	10 & 50
00245004	.213 - .154	67	33	10 & 50
00245005	.205 - .169	60	40	10 & 50
00245006	.316 - .106	90	10	12 & 75
00245007	.297 - .156	80	20	12 & 75
00245008	.277 - .185	70	30	12 & 75
00245009	.272 - .196	67	33	12 & 75
00245010	.261 - .219	60	40	12 & 75
00245011	.238 - .140	75	25	10 & 50
00241001	.312 - .312	50	50	10 & 50
00244001	.312 - .312	50	50	12 & 75
00245013	.295 - .169	75	25	12 & 75

Shaded items non-standard - available provided item in stock

Series PDC



Bill of Materials

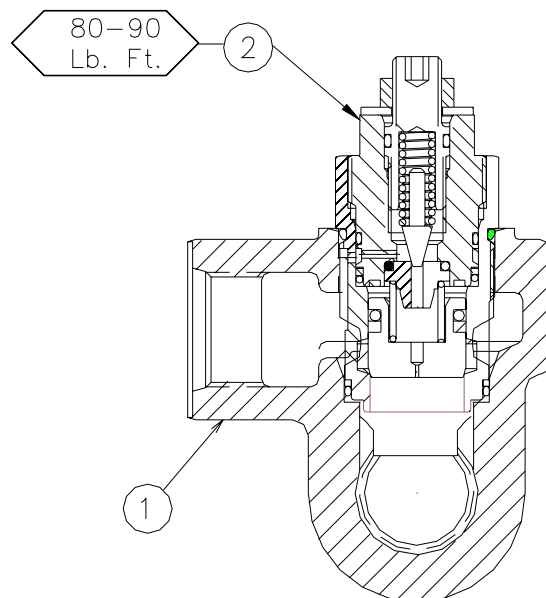
Item	Part Number	Description	Qty
1	See Table 1	Housing	1
2	08564001	Spool (50/50)	2
3	08434001	Spring	1
4	08433001	Spring	2
5	3914N-9	O-Ring	2
6	01727001	Plug	2

Table 1 - Housing

Part Number	Description
00240001	PD-50
00240002	PD-75
00240005	PD-10
00240006	PD-12
00240007	PD-8

Shaded items non-standard - available provided item in stock

Series RPJL

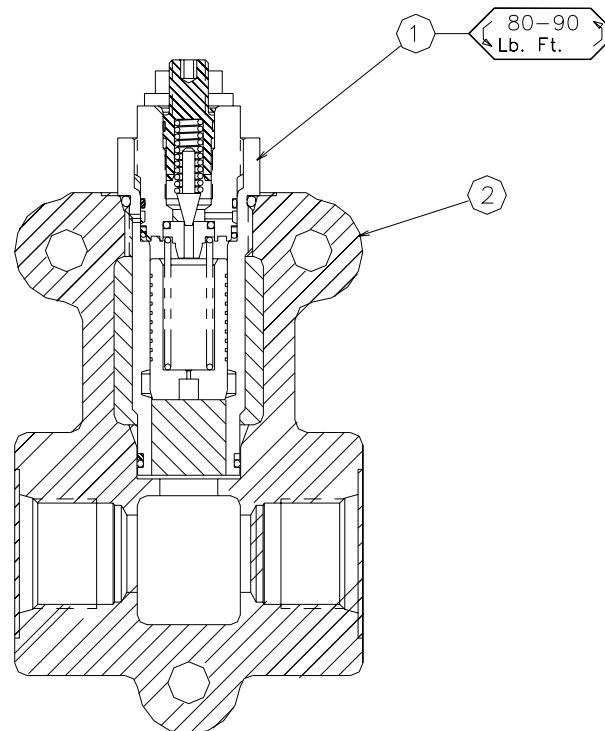


Service Parts

Item	Part Number	Description	Qty
1	K-WJL-10	Body Kit	1
1	K-WJL-50	Body Kit	1
1	K-WJL-75	Body Kit	1
2	Relief	RP51A-3000	1

All other components are non-serviceable items

Series RPL

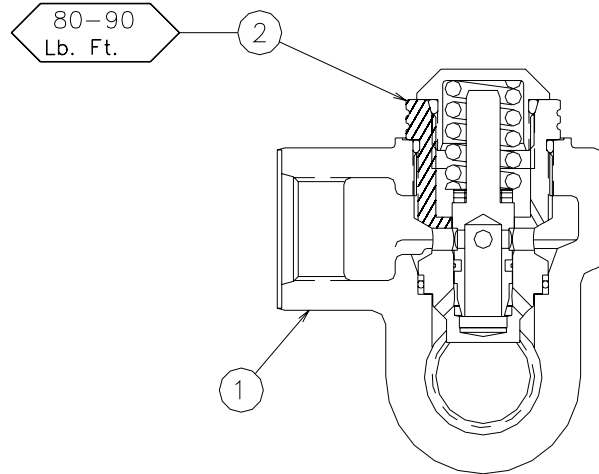


Service Parts

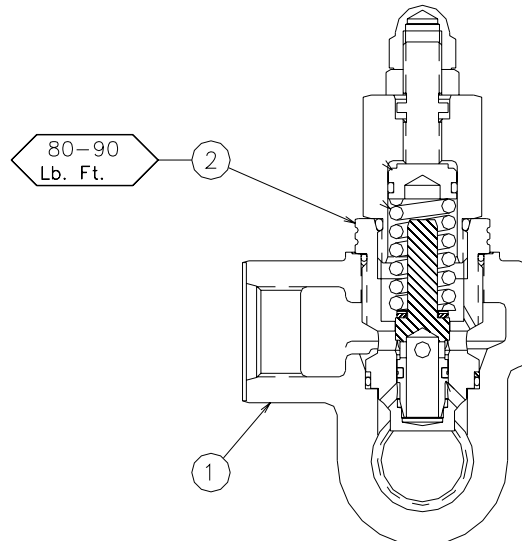
Item	Part Number	Description	Qty
1	K-RPL-16	Body Kit	1
1	K-RPL-75	Body Kit	1
1	K-RPL-100	Body Kit	1
2	Relief	RP60A-2000	1

All other components are non-serviceable items

Series WJL



Series WJL-A



Item 1 - Housing

Part Number	Description
02818026	WJL-50
02818027	WJL-75
02818028	WJL-10
02818029	WJL-12

Shim Adjust Kit

Part Number	PSI Change	Qty
00462001	(100 PSI)	As Req'd
00459001	(150 - 250 PSI)	As Req'd
00458001	(1250 - 450 PSI)	As Req'd

Item 2 - Relief Cartridge

Part Number	Description
Shim Adjustable	
WH-1200	500 - 1200 PSI
WH-1950	1250 - 2000 PSI
WH-2550	2000 - 2500 PSI
WH-3000	2500 - 3000 PSI
Screw Adjustable	
08853005	500 - 1250 PSI
08853006	1250 - 1750 PSI
08853007	1750 - 2000 PSI
08853008	2000 - 2600 PSI
08853009	2600 - 3000 PSI

The items described in this document and other documents or descriptions provided by Parker Hannifin Corporation, its subsidiaries and its authorized distributors are hereby offered for sale at prices to be established by Parker Hannifin Corporation, its subsidiaries and its authorized distributors. This offer and its acceptance by any customer ("Buyer") shall be governed by all of the following Terms and Conditions. Buyer's order for any such items, when communicated to Parker Hannifin Corporation, its subsidiary or an authorized distributor ("Seller") verbally or in writing, shall constitute acceptance of this offer.

1. Terms and Conditions of Sale: All descriptions, quotations, proposals, offers, acknowledgments, acceptances and sales of Seller's products are subject to and shall be governed exclusively by the terms and conditions stated herein. Buyer's acceptance of any offer to sell is limited to these terms and conditions. Any terms or conditions in addition to, or inconsistent with those stated herein, proposed by Buyer in any acceptance of an offer by Seller, are hereby objected to. No such additional, different or inconsistent terms and conditions shall become part of the contract between Buyer and Seller unless expressly accepted in writing by Seller.

Seller's acceptance of any offer to purchase by Buyer is expressly conditional upon Buyer's assent to all the terms and conditions stated herein, including any terms in addition to, or inconsistent with those contained in Buyer's offer. Acceptance of Seller's products shall in all events constitute

such assent. **2. Payment:** Payment shall be made by Buyer net 30 days from the date of delivery of the items purchased hereunder. Amounts not timely paid shall bear interest at the maximum rate permitted by law for each month or portion thereof that the Buyer is late in making payment. Any claims by Buyer for omissions or shortages in a shipment shall be waived unless Seller receives notice thereof within 30 days after Buyer's receipt of the shipment.

3. Delivery: Unless otherwise provided on the face hereof, delivery shall be made F.O.B. Seller's plant. Regardless of the method of delivery, however, risk of loss shall pass to Buyer upon Seller's delivery to a carrier. Any delivery dates shown are approximate only and Seller shall have no liability for any delays in delivery.

4. Warranty: Seller warrants that the items sold hereunder shall be free from defects in material or workmanship for a period of 18 months from date of shipment from Parker Hannifin Corporation. **THIS WARRANTY COMPRISES THE SOLE AND ENTIRE WARRANTY PERTAINING TO ITEMS PROVIDED HEREUNDER. SELLER MAKES NO OTHER WARRANTY, GUARANTEE, OR REPRESENTATION OF ANY KIND WHATSOEVER. ALL OTHER WARRANTIES, INCLUDING BUT NOT LIMITED TO, MERCHANTABILITY AND FITNESS FOR PURPOSE, WHETHER**

EXPRESS, IMPLIED, OR ARISING BY OPERATION OF LAW, TRADE USAGE, OR COURSE OF DEALING ARE HEREBY DISCLAIMED. NOTWITHSTANDING THE FOREGOING, THERE ARE NO WARRANTIES WHATSOEVER ON ITEMS BUILT OR ACQUIRED WHOLLY OR PARTIALLY, TO BUYER'S DESIGNS OR SPECIFICATIONS.

5. Limitation Of Remedy: SELLER'S LIABILITY ARISING FROM OR IN ANY WAY CONNECTED WITH THE ITEMS SOLD OR THIS CONTRACT SHALL BE LIMITED EXCLUSIVELY TO REPAIR OR REPLACEMENT OF THE ITEMS SOLD OR REFUND OF THE PURCHASE PRICE PAID BY BUYER, AT SELLER'S SOLE OPTION. IN NO EVENT SHALL SELLER BE LIABLE FOR ANY INCIDENTAL, CONSEQUENTIAL OR SPECIAL DAMAGES OF ANY KIND OR NATURE WHATSOEVER, INCLUDING BUT NOT LIMITED TO LOST PROFITS ARISING FROM OR IN ANY WAY CONNECTED WITH THIS AGREEMENT OR ITEMS SOLD HEREUNDER, WHETHER ALLEGED TO ARISE FROM BREACH OF CONTRACT, EXPRESS OR IMPLIED WARRANTY, OR IN TORT, INCLUDING WITHOUT LIMITATION, NEGLIGENCE, FAILURE TO WARN OR STRICT LIABILITY.

6. Changes, Rescheduled and Cancellations: Buyer may request to modify the designs or specifications for the items sold hereunder as well as the quantities and delivery dates thereof, or may request to cancel all or part of this order, however, no such requested modification or cancellation shall become part of the contract between Buyer and Seller unless accepted by Seller in a written amendment to this Agreement. Acceptance of any such requested modification or cancellation shall be at Seller's discretion, and shall be upon such terms and conditions as Seller may require.

7. Special Tooling: A tooling charge may be imposed for any special tooling, including without limitation, dies, fixtures, molds and patterns, acquired to manufacture items sold pursuant to this contract. Such special tooling shall be and remain Seller's property notwithstanding payment of any charges by Buyer. In no event will Buyer acquire any interest in apparatus belonging to Seller which is utilized in the manufacture of the items sold hereunder, even if such apparatus has been specially

converted or adapted for such manufacture and notwithstanding any charges paid by Buyer. Unless otherwise agreed, Seller shall have the right to alter, discard or otherwise dispose of any special tooling or other property in its sole discretion at any time.

8. Buyer's Property: Any designs, tools, patterns, materials, drawings, confidential information or equipment furnished by Buyer or any other items which become Buyer's property, may be considered obsolete and may be destroyed by Seller after two (2) consecutive years have elapsed without Buyer placing an order for the items which are manufactured using such property, Seller shall not be responsible for any loss or damage to such property while it is in Seller's possession or control.

9. Taxes: Unless otherwise indicated on the face hereof, all prices and charges are exclusive of excise, sales, use, property, occupational or like taxes which may be imposed by any taxing authority upon the manufacture, sale or delivery of the items sold hereunder. If any such taxes must be paid by Seller or if Seller is liable for the collection of such tax, the amount thereof shall be in addition to the amounts for the items sold.

Buyer agrees to pay all such taxes or to reimburse Seller therefore upon receipt of its invoice. If Buyer claims exemption from any sales, use or other tax imposed by any taxing authority, Buyer shall save Seller harmless from and against any such tax, together with any interest or penalties thereon which may be assessed if the items are held to be taxable.

10. Indemnity For Infringement of Intellectual Property Rights: Seller shall have no liability for infringement of any patents, trademarks, copyrights, trade dress, trade secrets or similar rights except as provided in this Part 10. Seller will defend and indemnify Buyer against allegations of infringement of U.S. Patents, U.S. Trademarks, copyrights, trade dress and trade secrets (hereinafter 'Intellectual Property Rights'). Seller will defend at its expense and will pay the cost of any settlement or damages awarded in an action brought against Buyer based on an allegation that an item sold pursuant to this contract infringes the Intellectual Property Rights of a third party. Seller's obligation to defend and indemnify Buyer is contingent on Buyer notifying Seller within ten (10) days after Buyer becomes aware of such allegations of infringement, and Seller having sole control over the defense of any allegations or actions including all negotiations for settlement or compromise. If an item sold hereunder is subject to a claim that it infringes the Intellectual Property Rights of a third party, Seller may, at its sole expense and option, procure for Buyer the right to continue using said item, replace or modify said item so as to make it noninfringing, or offer to accept return of said item and return the purchase price less a reasonable allowance for depreciation. Notwithstanding the foregoing, Seller shall have no liability for claims of infringement based on information provided by Buyer, or directed to items delivered hereunder for which the designs are specified in whole or part by Buyer, or infringements resulting from the modification, combination or use in a system of any item sold hereunder. The foregoing provisions of this Part 10 shall constitute Seller's sole and exclusive liability and Buyer's sole and exclusive remedy for infringement of Intellectual Property Rights. If a claim is based on information provided by Buyer or if the design for an item delivered hereunder is specified in whole or in part by Buyer, Buyer shall defend and indemnify Seller for all costs, expenses or judgments resulting from any claim that such item infringes any patent, trademark, copyright, trade dress, trade secret or any similar right.

11. Force Majeure: Seller does not assume the risk of and shall not be liable for delay or failure to perform any of Seller's obligations by reason of circumstances beyond the reasonable control of Seller (hereinafter 'Events of Force Majeure'). Events of Force Majeure shall include without limitation, accidents, acts of God, strikes or labor disputes, acts, laws, rules or regulations of any government or government agency, fires, floods, delays or failures in delivery of carriers or suppliers, shortages of materials and any other cause beyond Seller's control.

12. Entire Agreement/Governing Law: The terms and conditions set forth herein, together with any amendments, modifications and any different terms or conditions expressly accepted by Seller in writing, shall constitute the entire Agreement concerning the items sold, and there are no oral or other representations or agreements which pertain thereto. This Agreement shall be governed in all respects by the law of the State of Ohio. No actions arising out of the sale of the items sold hereunder or this Agreement may be brought by either party more than two (2) years



Parker Hannifin Corporation
Hydraulic Valve Division
520 Ternes Avenue
Elyria, Ohio 44035 USA
Tel: (440) 366-5200
Fax: (440) 366-5253
www.parker.com/hydraulicvalve

Bulletin HY14-2405-M1/US
06/06