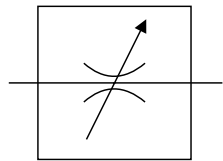
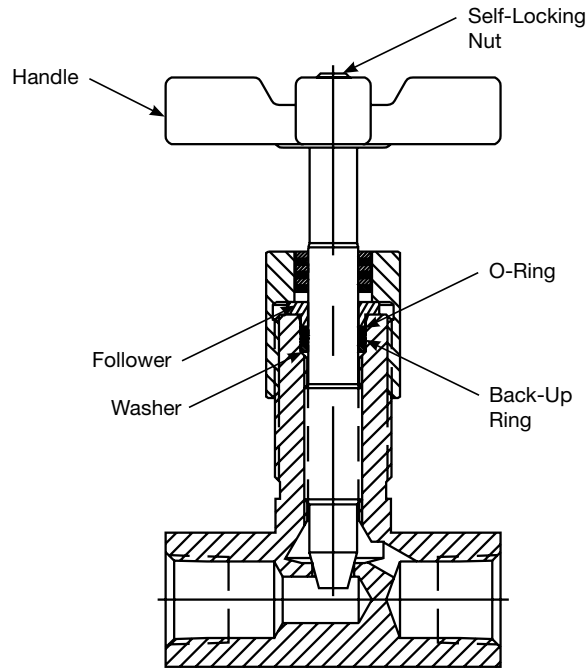


# Colorflow® Valves Service Parts Series MV Metering Valve



Body Size	O-Ring		Back-Up Ring	Follower	Washer	Handle	Self-Locking Nut
	Buna	Fluorocarbon					
2**	2010N-7	2010V-7	400004-1	014012-2	014013-2	014083-6	454001
4** 620	2011N-7	2011V-7	400004-2	002028-2	002023-2	002118-6	454001
6** 820	2012N-7	2012V-7	400004-3	005017-2	005012-2	005065-6	457001
8** 1020	2111N-7	2111V-7	400004-4	008013-2	008014-2	008079-6	459001
12** 1220	2112N-7	2112V-7	400004-5	011013-2	011014-2	011066-6	459001
1600	2112N-7 2118N-7	2112V-7 2118V-7	107x112 107x118	025260-2	—	011066-6	459001

Bulletin HY14-3300-M1/US, 10/13

Parker Hannifin Corporation  
**Hydraulic Valve Division**  
 520 Ternes Ave.  
 Elyria, OH 44035  
 phone 440 366 5100  
 fax 440 366 5253  
[www.parker.com/hydraulicvalve](http://www.parker.com/hydraulicvalve)



ENGINEERING YOUR SUCCESS.